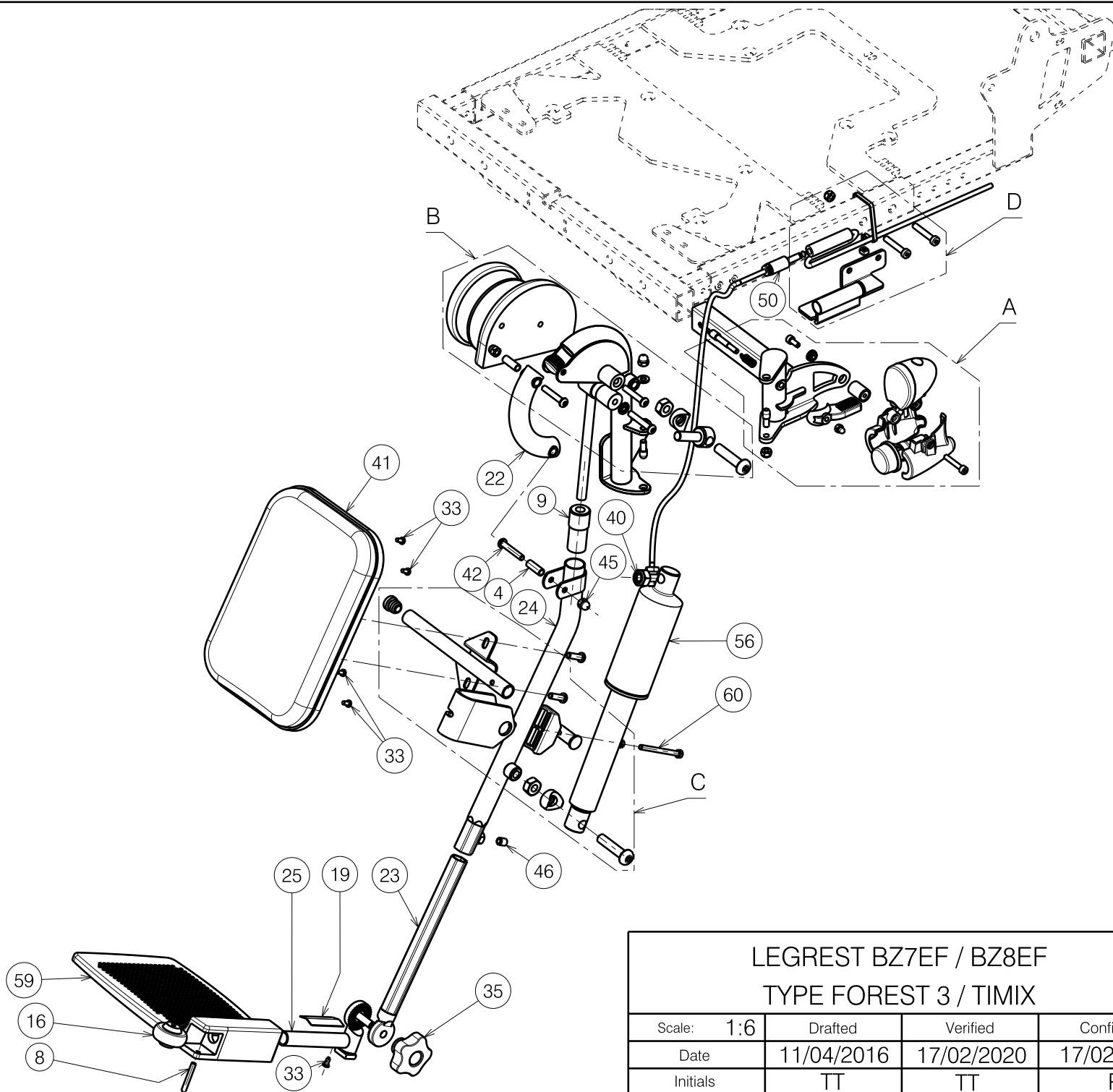


E001030 / J

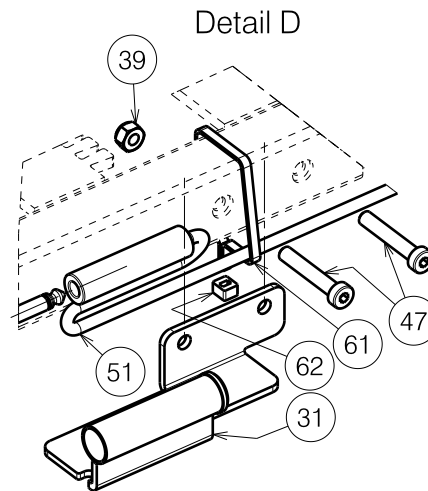
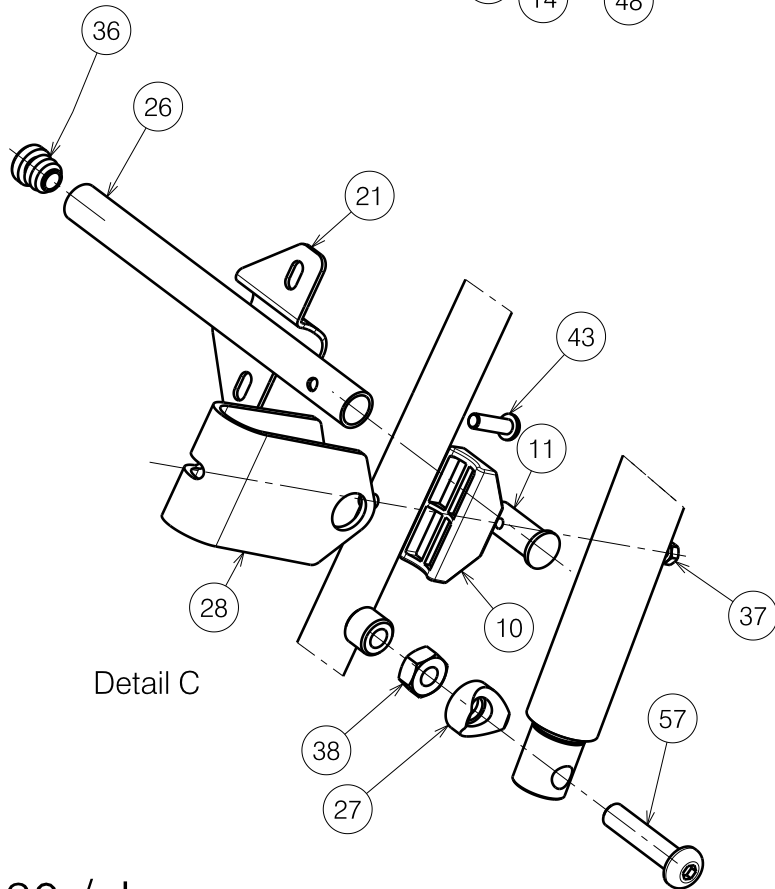
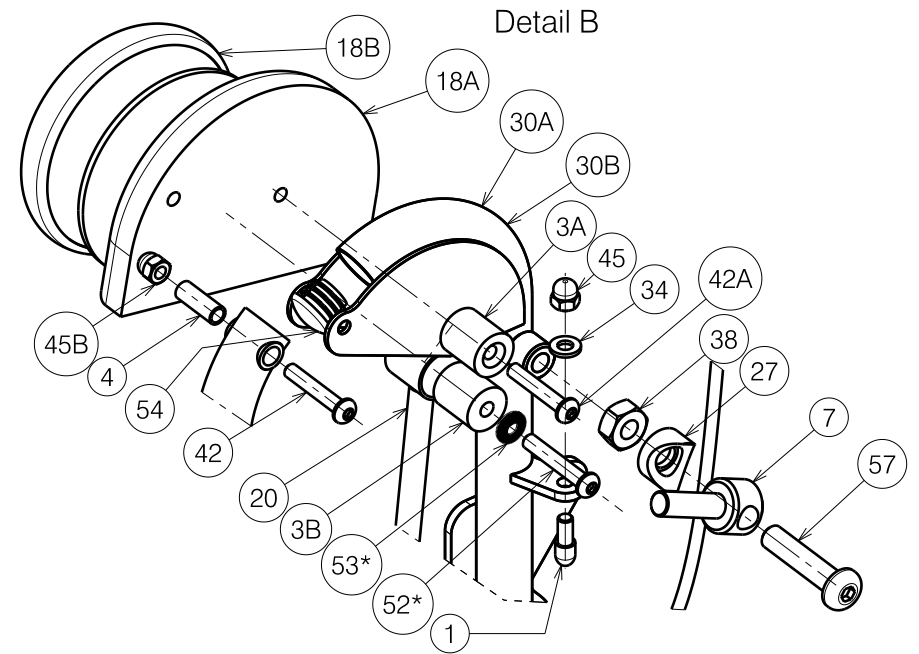
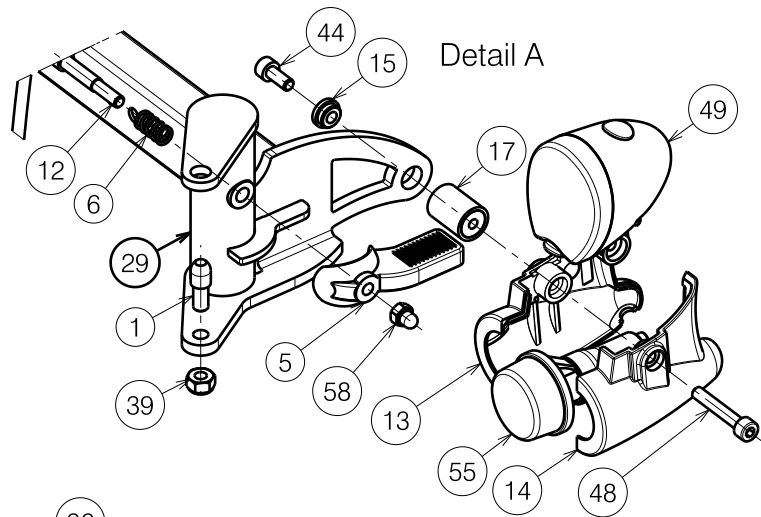


Sheet 1/3

2993233

<b>LEGREST BZ7EF / BZ8EF</b> <b>TYPE FOREST 3 / TIMIX</b>				Plan No.
				E001030 / J
Scale:	1:6	Drafted	Verified	Confirmed
Date	11/04/2016	17/02/2020	17/02/2020	
Initials	TT	TT	PJ	





E001030 / J

Sheet 2/3

2993233

<b>LEGREST BZ7EF / BZ8EF</b> <b>TYPE FOREST 3 / TIMIX</b>				Plan No. E001030 / J
Scale: 1:6	Drafted	Verified	Confirmed	
Date	11/04/2016	17/02/2020	17/02/2020	
Initials	TT	TT	PJ	

Material											
No.	Plan	Article	Quantity	No.	Plan	Article	Quantity	No.	Plan	Article	Quantity
1	X000227	1465200	4	27	Y012948	F005295	4	51	Female jack overmold	1910991	2x1.1m
3A	X001474	1005641	2	28	Y018471	1770754	2	52*	1/4"-20x1-1/2" Inox	1912025	2
3B	X005557	2018500	2	29	Y019772	1792554 (L)	1	53*	M6 type s DIN17222	1912027	2
4	X001476	1008444	4		Y019774	1792654 (R)	1	54	Φ22	1990648	2
5	X002126	1992429	2	30A	Y021959	2020254 (L)	1	55	---	1991679	2
6	X002169	1992791	2		Y021963	2020854 (R)	1	56	---	1992109	2
7	X002365	1503300	2	30B	Y021972	2020954 (L)	1	57	M10x45	1908848	4
8	X003590	1003917	2		Y021973	2021054 (R)	1	58	M5 DIN986	1992804	2
9	X003810	1900608	2	31	Y021989	2021254 (L)	1	59	Medium	1627404 (L)	1
10	X003889	1901094	2		Y021978	2021154 (R)	1		Medium	1627504 (R)	1
11	X003890	1901095	2	33	Φ3.9x9.5 DIN7981	1001530	10		Small	1627204 (L)	1
12	X004360	G080000	2	34	M6 DIN125A	1001564	2		Small	1627304 (R)	1
13	X004942	1907377	2	35	M8	1001581	2		Large	1627004 (L)	1
14	X004943	1907376	2	36	Φ16	1001598	2		Large	1627104 (R)	1
15	X004960	1907430	2	37	M5 DIN934	1001669	2	60	M5x60 DIN933	1908592	2
16	X005901	1915961	2	38	M10 DIN934	1001672	4	61	---	W620150	2x0.18
17	---	1910745	2	39	M6 DIN985	1001680	6	62	---	W620151	2
18A	---	1991341 (L)	1	40	M10 DIN985	1001683	2	Option A: Knee protector PU Option B: Knee protector V40 * Only for option B			
	---	1991342 (R)	1	41	---	1002158	2				
18B	X005556	1903947	2	42A	M6x35	1006057	6				
19	Y000593	F000193	2	42B	M6x35	1006057	4				
20	Y002209	1389600	2	43	M6x20	1006999	4				
21	Y012670	1672404	2	44	M5x12 DIN912/8.8	1001489	2				
22	Y002218	1650554	2	45A	M6x12	1008492	2				
23	Y002938	1410000	2	45B	M6x12	1008492	4				
24	Y010096 (BZ7EF)	1641054 (L)	1	46	M8x10 DIN916/45H	1008942	2				
	Y010097 (BZ7EF)	1641154 (R)	1	47	M6X35 DIN7984/8.8	1903903	4				
	Y012340 (BZ8EF)	1669354 (L)	1	48	M5x30 DIN912/8.8	1903983	2				
	Y012341 (BZ8EF)	1669454 (R)	1	49	---	1907340	2				
25	Y002942	1409300 (L)	1	50	Male jack overmold	1910990	2x0.4m				
	Y002943	1409400 (R)	1								
26	Y012695	1672300	2								

Quantities are for one pair

Sheet 3/3

2993233

E001030 / J

LEGREST BZ7EF / BZ8EF				Plan No.
TYPE FOREST 3 / TIMIX				E001030 / J
Scale: 1:6	Drafted	Verified	Confirmed	
Date	11/04/2016	17/02/2020	17/02/2020	
Initials	TT	TT	PJ	