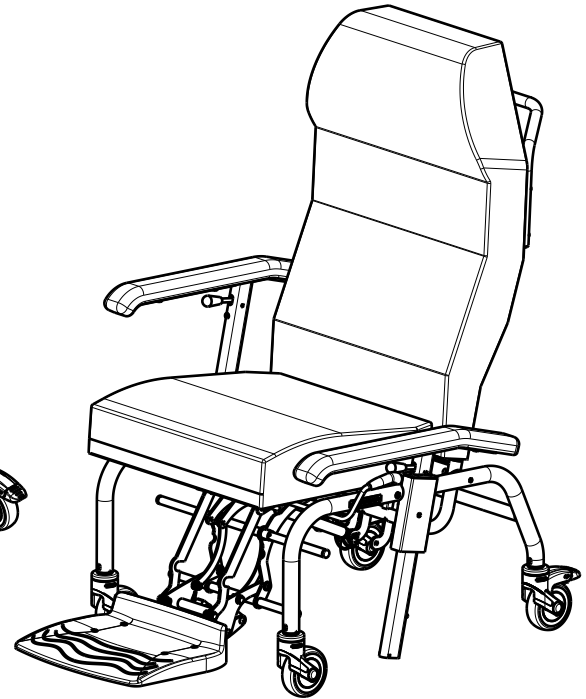
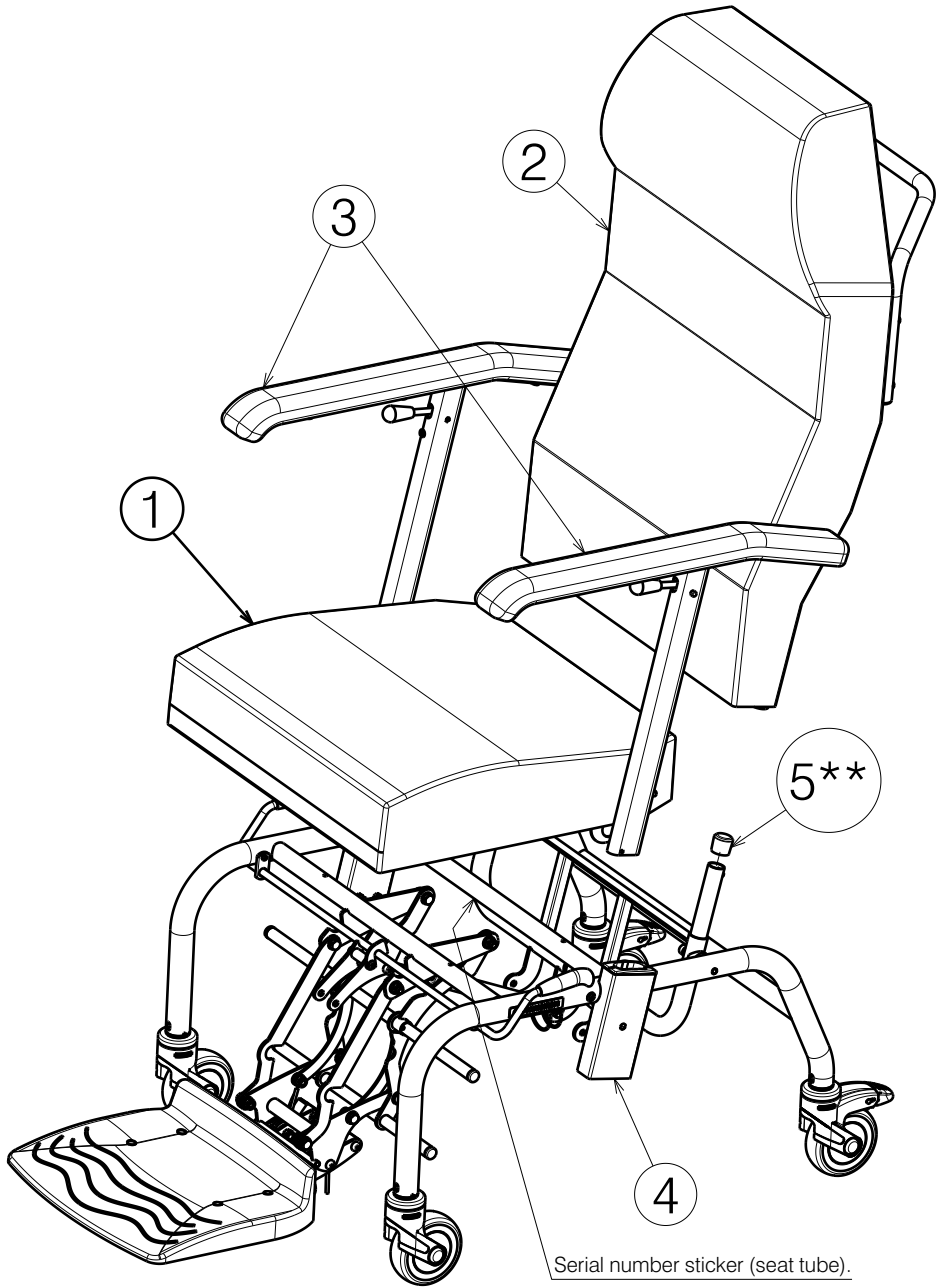


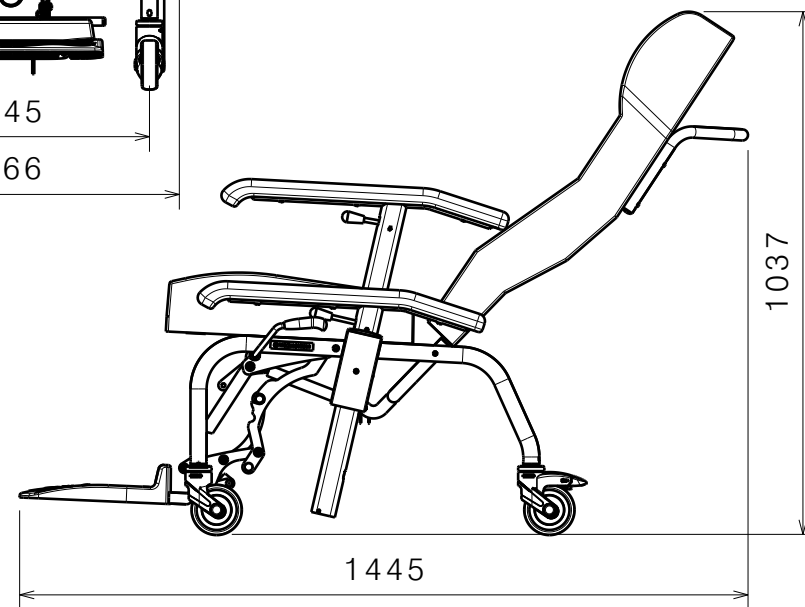
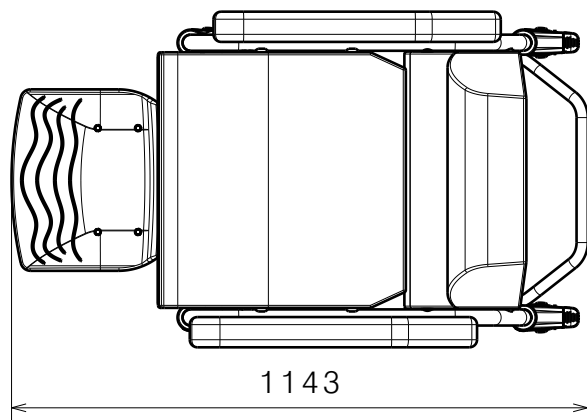
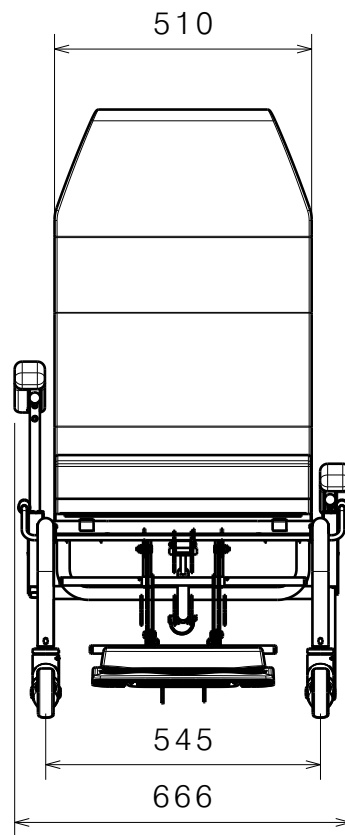
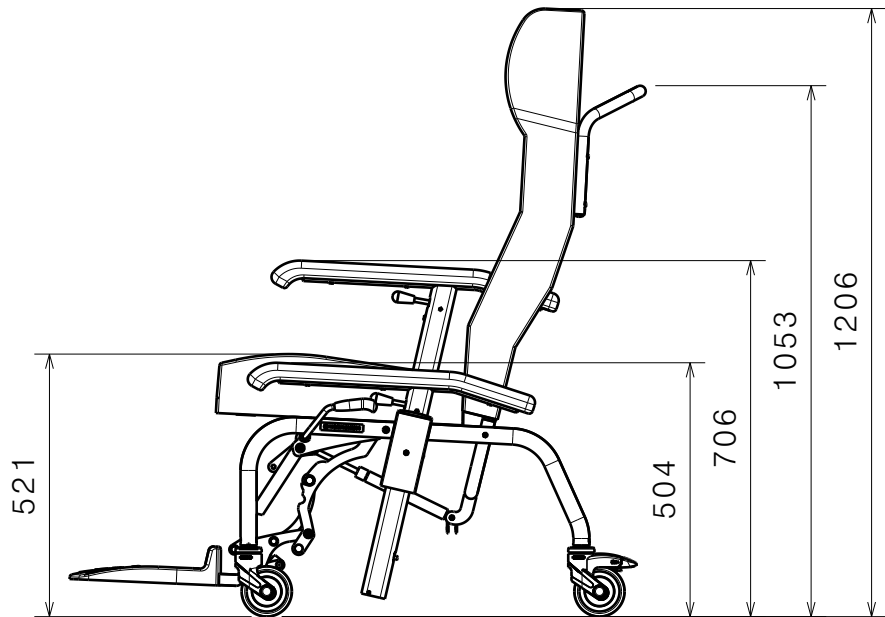
| Material | | | |
|----------|---------|---------|----------|
| No. | Plan | Article | Quantity |
| 1 | EP00531 | 2994887 | 1 |
| 2 | EP00532 | 2994888 | 1 |
| 3 | EP00534 | 2994890 | 1 |
| 4 | EP00596 | 2995137 | 1 |
| 5** | Cap D22 | 1001625 | 2 |
| 6* | XP03295 | U000434 | 1 |



EP00597 / C

* - not depicted;
 ** - use only in transport to protect upholstery - see packing instruction;
 *** - SOP: S-PL.90.01- packing instruction.

| SPECIFICATION / LANGUEDOC WITH WHEELS | | | | Plan No. |
|---------------------------------------|------------|------------|------------|-------------|
| 2020 WITH RETRACTABLE FOOTPLATE 1/2 | | | | EP00597 / C |
| Scale: 1:10 | Drafted | Verified | Confirmed | |
| Date | 26/07/2021 | 07/08/2023 | 07/08/2023 | |
| Initials | AZ | AZ | TK | |



EP00597 / C

| | | | | |
|--|------------|------------|------------|---|
| SPECIFICATION / LANGUEDOC WITH WHEELS | | | | Plan No. |
| 2020 WITH RETRACTABLE FOOTPLATE ^{2/2} | | | | EP00597 / C |
| Scale: 1:15 | Drafted | Verified | Confirmed |  |
| Date | 26/07/2021 | 07/08/2023 | 07/08/2023 | |
| Initials | AZ | AZ | TK | |