

Material / Method 1			
No.	Plan	Article	Quantity
1	YP08863	2629765	1
2	XP01828	2993544	1
3*	Fabric	...	1,3 [m]
4**	---	1990296	0,6 [m]
5**	---	1995604	0,8 [m]
6**	---	1995605	1


Fabric 3*		
No.	Colour	Article
1	Blue	1998128
2	Lavender	1997840
3	Brown	1908048
4	Black	1907414
5	Bright grey	1918077

Templates for backrest upholstery 3*		
No.	Description	Article
1	Set	2997093
2	Front part	2997094
3	Back part	2997095
4	Left part	2997096
5	Right part	2997097
6	Lower part 1	2997098
7	Lower part 2	2997099

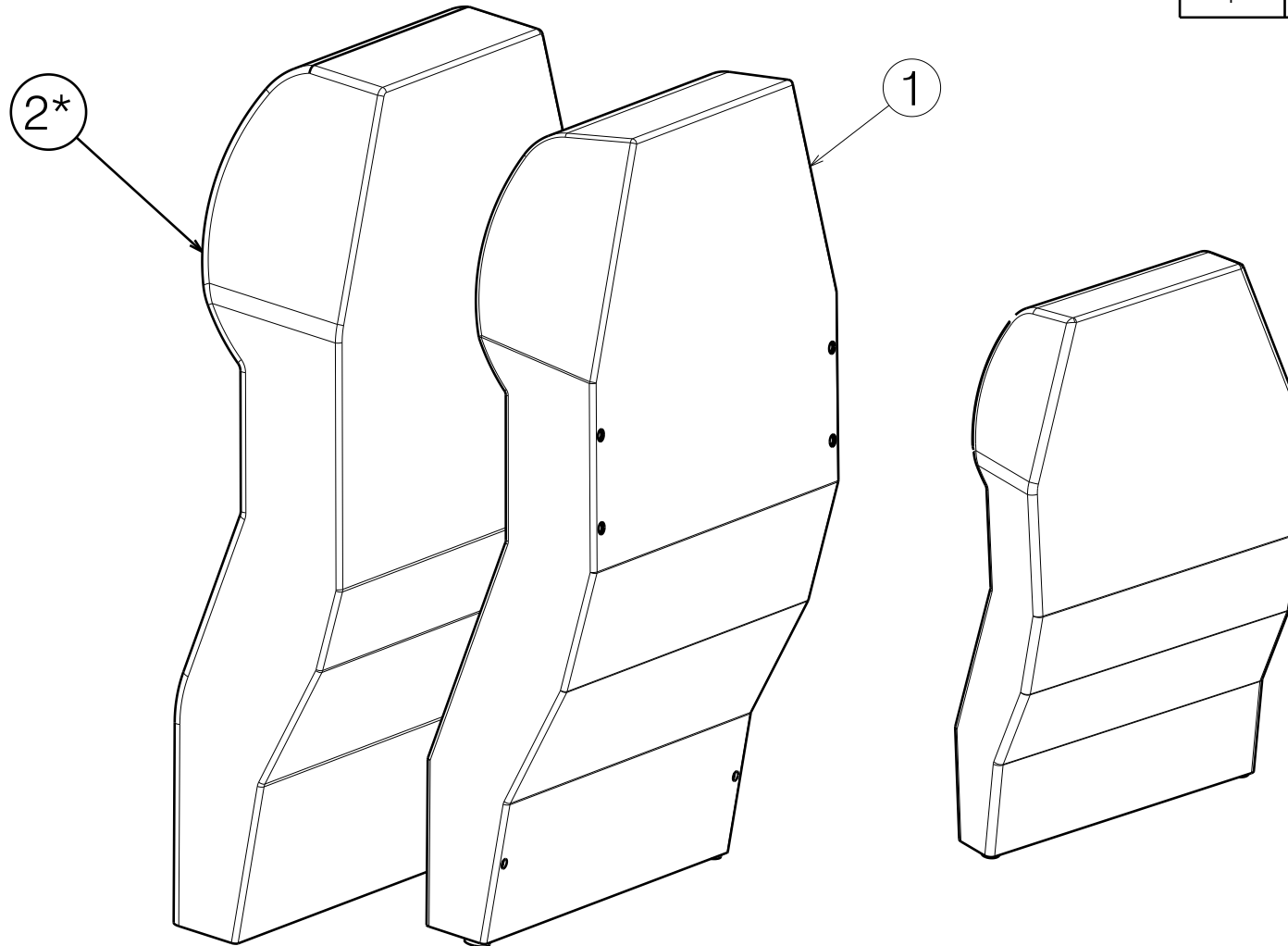
\* - to be chosen by customer

\*\* - not depicted

EP00549 / E

BACKREST / PROVENCE 2020 / LANGUEDOC 2020 / NORMANDIE 2020 (CHAIR WITHOUT WHEELS) 1/2				Plan No. EP00549 / E
Scale: 1:7	Drafted	Verified	Confirmed	
Date	09/11/2020	24/10/2022	24/10/2022	
Initials	AZ	PM	AZ	

Material / Method 2			
No.	Plan	Article	Quantity
1	XP03185	2996809	1
2*	Fabric	...	1,3 [m]
3**	---	1995604	0,8 [m]
4**	---	1995605	1



Fabric 2*		
No.	Colour	Article
1	Blue	1998128
2	Lavender	1997840
3	Brown	1908048
4	Black	1907414
5	Bright grey	1918077

Templates for backrest upholstery 2*		
No.	Description	Article
1	Set	2997093
2	Front part	2997094
3	Back part	2997095
4	Left part	2997096
5	Right part	2997097
6	Lower part 1	2997098
7	Lower part 2	2997099

\* - to be chosen by customer

\*\* - not depicted

EP00549 / E

BACKREST / PROVENCE 2020 / LANGUEDOC 2020 / NORMANDIE 2020 (CHAIR WITHOUT WHEELS) 2/2				Plan No. EP00549 / E
Scale: 1:7	Drafted	Verified	Confirmed	
Date	09/11/2020	24/10/2022	24/10/2022	
Initials	AZ	PM	AZ	