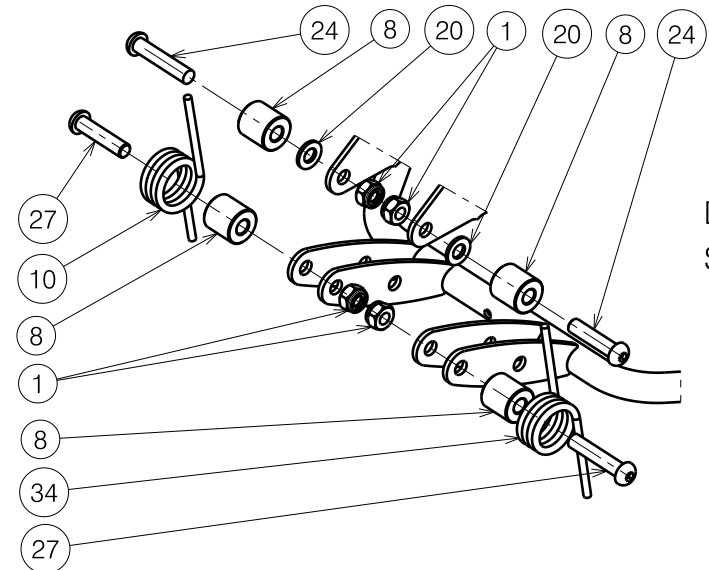


Detail B
Scale 1:4



Detail A
Scale 1:4

FOOT REST ALTITUDE / CORAILLE 2008 (TYPE 2)				Plan No. / Plannr.
VOETSTEUN ALTITUDE / CORAILLE 2008 (TYPE 2)				E000552/G
Scale / Schaal: 1:6	Drafted / Getekend	Verified / Nagezien	Confirmed / Bevestigd	
Date / Datum	20/04/2009	24/01/2011	24/01/2011	
Init. / Init.	JG	SV	PJ	

Material / Materiaal			
No. / Nr.	Plan	Article / Artikel	Number / Aantal
1	X001016	1001682	7
2	X003478	1998374	1
3	X003492	1900607	2
4	X003793	1900442	2
5	X003573	1004818	2
6	X003913	1901654	1
7	X003915	1683782	1
8	X004034	1683600	4
9	XP00106	2990072	2
10	XP00144	1894000	1
11	XP00167	HP00052	1
12	X004730	1735800	1
13	Y015202	1718000	1
14	Y012953	1678182	1
15	X004002	1677600	1
16	X003878	1677500	1
17	Y015201	1717900	1
18	---	1001564	2
19	---	1003067	2
20	---	1003199	5
21	---	1005860	1
22	---	1006998	2
23	---	1007517	3
24	---	1008739	2
25	---	1901212	4
26	---	1992835	4
27	---	1993236	2
28	---	1004414	4
29	---	1008459	4
30	---	1001598	4
31	---	1991373	2
32	---	1001550	6
33	Y012876	1715182	2
34	XP00567	1894100	1
35	---	1992791	1

FOOT REST ALTITUDE / CORAILLE 2008 (TYPE 2)			Plan No. / Plannr.
VOETSTEUN ALTITUDE / CORAILLE 2008 (TYPE 2)			E000552 / G
Scale / Schaal: 1:6	Drafted / Getekend	Verified / Nagezien	Confirmed / Bevestigd
Date / Datum	20/04/2009	24/01/2011	24/01/2011
Init. / Init.	JG	SV	PJ

