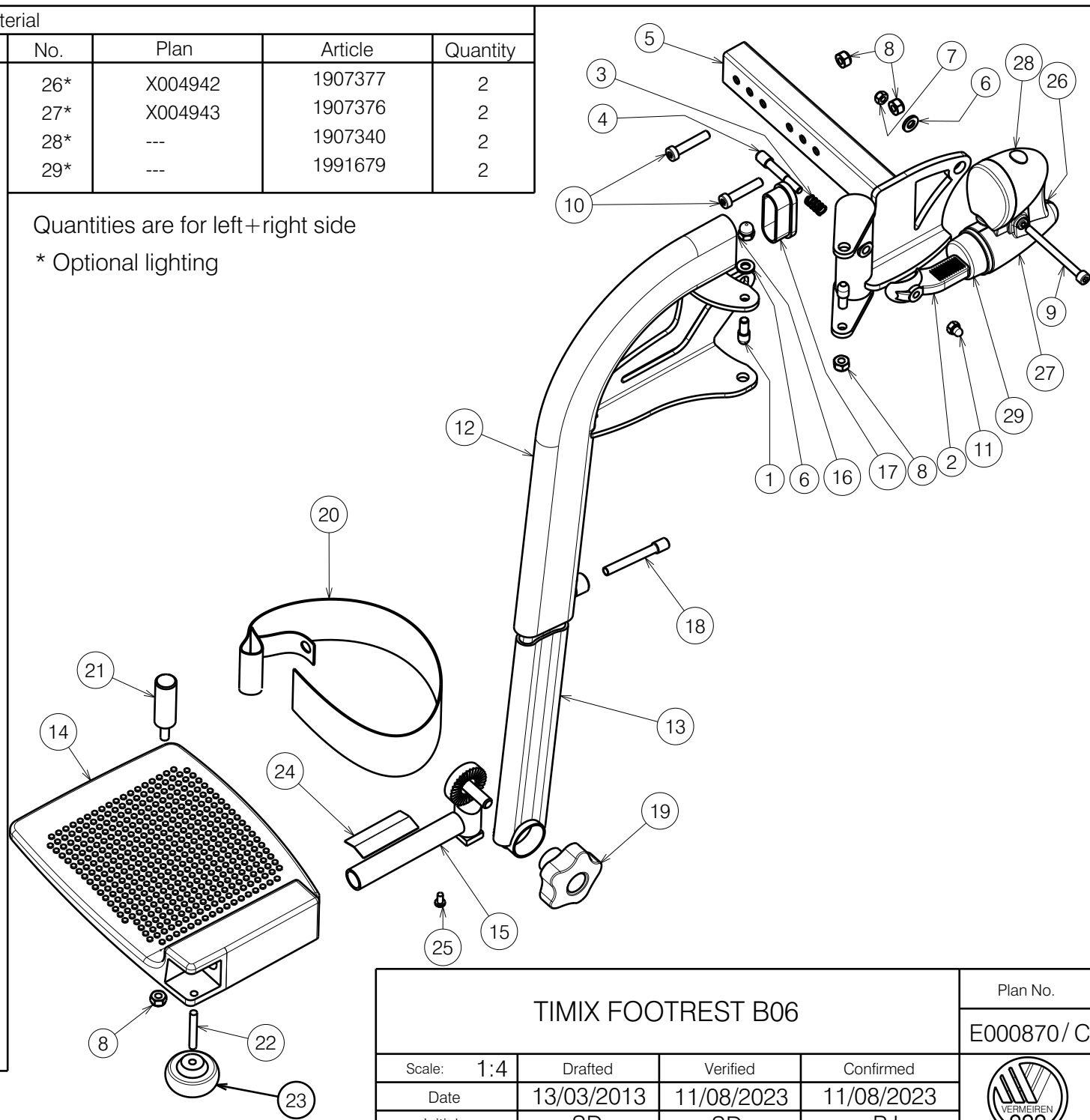


Material							
No.	Plan	Article	Quantity	No.	Plan	Article	Quantity
1	X000227	1465200	4	26*	X004942	1907377	2
2	X002126	1992429	2	27*	X004943	1907376	2
3	X002169	1992791	2	28*	---	1907340	2
4	X004360	G080000	2	29*	---	1991679	2
5	Y018941	1779104 (L)	1	<p>Quantities are for left+right side</p> <p>* Optional lighting</p>			
	Y018938	1779204 (R)	1				
6*	M6 DIN125A	1001564	4				
7*	M5 DIN985	1001679	2				
8	M6 DIN985	1001680	8				
9*	M5x60 DIN912	1907476	2				
10	M6x30 DIN7984	1992721	4				
11	M5 DIN986	1992804	2				
12	Y019293	17866.. (L)	1				
	Y019298	17867.. (R)	1				
13	Y019296	1786800 (L)	1				
	Y019314	1786900 (R)	1				
14	Medium	1627404 (L)	1				
	Medium	1627504 (R)	1				
	Small	1627204 (L)	1				
	Small	1627304 (R)	1				
	Large	1627004 (L)	1				
	Large	1627104 (R)	1				
15	Y002942	1409300 (L)	1				
	Y002493	1409400 (R)	1				
16	M6 DIN986	1008492	2				
17	---	1990980	2				
18	X005133	1787000	2				
19	M8 Ø50	1001581	2				
20	Small	1992802	2				
	Large	1992803	2				
21	X002238	1992702	2				
22	X003590	1003917	2				
23	X005901	1915961	2				
24	Y000593	F000193	2				
25	DIN7981	1001530	2				



E000870 / C

<h2>TIMIX FOOTREST B06</h2>				Plan No.
				E000870 / C
Scale: 1:4	Drafted	Verified	Confirmed	
Date	13/03/2013	11/08/2023	11/08/2023	
Initials	SD	SD	PJ	