

User manual

MANUEL D'UTILISATION
GEBRUIKSAANWIJZING
GEBRAUCHSANWEISUNG
MANUALE DI ISTRUZIONI
MANUAL DE INSTRUCCIONES
INSTRUKCJA OBSŁUGI
NÁVOD K OBSLUZE

V300 XL



CE

Contents

Preface	4
1. Your product	6
1.1. Options	7
2. Before use	7
2.1. Intended use and indications	7
2.2. Safety instructions and applicable risks	8
2.3. Symbols on the wheelchair	9
2.4. Transport	10
2.5. Folding/Unfolding	10
2.6. Storage	11
3. Using your wheelchair	12
3.1. Operating the brakes	12
3.2. Moving to/from the wheelchair	13
3.3. Comfort adjustments	14
3.4. Riding the wheelchair	17
4. Maintenance	23
4.1. Points of maintenance	23
4.2. Maintenance instructions	24
4.3. Troubleshooting	25
4.4. Expected lifespan	26
4.5. Reuse	26
4.6. End of use	26
4.7. Warranty	26
5. Technical specifications	27

Preface

Congratulations! You are now owner of a Vermeiren wheelchair!

This wheelchair is made by qualified and committed personnel. It is designed and produced according to high quality standards, guarded by Vermeiren.

Thank you for your trust in the products of Vermeiren. To support you on the use of this wheelchair and its operating options, this manual is offered. Please read it carefully; it will help you to get familiar with the operation, capabilities and limitations of your wheelchair.

If you still have questions after reading this manual, do not hesitate to contact your specialist dealer. He/she will be glad to help you.

Important note

To ensure your safety, and to prolong the lifetime of your product, please take good care of it and have it checked and serviced on a regular basis.





This manual reflects the latest product developments. Vermeiren has the right to implement changes to this type of product without any obligation to adapt or replace similar products previously delivered.

Pictures are used to clarify the instructions in this manual. Details of the depicted product may deviate from your product.

Information available

On our website <http://www.vermeiren.com/> you will always find the most recent version of the information in this manual. Please consult this website regularly for possible updates.

Visually impaired people can download the electronic version of this manual and have it read out by means of a text-to-speech software application.

	User manual For user and specialist dealer
	Installation instructions For specialist dealer
	Service manual for wheelchairs For specialist dealer
	EC declaration of conformity

1. Your product



1. Handgrips
2. Push bar
3. Backrest
4. Arm pads
5. Armrests
6. Seat
7. Footrests
8. Footplates
9. Front wheels
10. Brakes
11. Rear wheels
12. Hand rims
13. Tipping aid
14. Cross
15. Identification plate

1.1. Options

Contact your specialist dealer about options. He will gladly advise you.

2. Before use

2.1. Intended use and indications

- This product is a medical device.
- Indications and contraindications: The user can propel the wheelchair by himself or have the wheelchair pushed by an attendant. The wheelchair is intended for elderly people or people with walking difficulties or no walking abilities, and who are in need of a larger seat width than 50cm and/or a higher user weight. You should NOT use this wheelchair if you suffer from physical or mental impairments that may put you, or other people, in danger when driving the wheelchair. For this reason, consult your physician first and make sure that your specialist dealer is informed about his advice.
- This wheelchair is suitable for indoor and outdoor use.
- This wheelchair is designed and produced solely to transport/transfer one (1) person with a maximum weight of 170kg. It is not designed for transportation of goods or objects, nor for any use other than previously described.
- Only use accessories and spare parts approved by Vermeiren.
- Please read all technical details and limits of your wheelchair in chapter 5..
- The warranty on this product is based on normal use and maintenance as described in this manual. Damage to your product caused by improper use or lack of maintenance will cause the warranty to lapse.

2.2. Safety instructions and applicable risks

CAUTION

Risk of injuries and/or damage

- Carefully read and follow the instructions in this manual. Otherwise you may get injured or your wheelchair may get damaged.















Keep the following general warnings in mind during use:

- Do not use your wheelchair if you are under influence of alcohol, medicines or other substances that may influence your driving abilities.
- Be aware that some parts of your wheelchair may get very hot or cold due to ambient temperature, solar radiation or heating devices. Be careful when touching. Wear protective clothing if the weather is cold. When going outdoors, riding gloves can be used to improve the grip on the hand rims.
- Do not modify your product in any way.
- If the packaging of your product has been damaged, (unintentionally) opened, or affected by environmental conditions (moisture, heat,...) upon delivery, check the device integrity of your product. When in doubt, contact your specialist dealer.

Be aware that your wheelchair may interfere with some types of anti-theft systems, depending on the settings used. This may cause the shop's alarm to go off.

Any serious incident [MDR (EU) 2017/745 §2 (65)] that has occurred in relation to the device should be reported to the manufacturer and the competent authority of the Member State in which the user and/or patient is established.

2.3. Symbols on the wheelchair

	Type designation
	Catalogue number
	Serial number
	Medical device
	Manufacturer
	Date of manufacture
	Declaration of conformity
	Attention: important information
	It is advised to read the manual
	Risk of entrapment
	Maximum weight of the user in kg
	Crash-tested product ; can be used as a seat in a motor vehicle
	Not intended to be used as a seat in a motor vehicle
	Can be used as a seat in a motor vehicle ; indicates attachment points

2.4. Transport

2.4.1. Transport by vehicle, as luggage

⚠ WARNING

Risk of injuries

- Do NOT use your wheelchair as a seat in a vehicle, see the following symbol.



- Make sure that the wheelchair is attached properly to avoid injury from the passengers during collision or sudden braking.
 - NEVER use the same seatbelt to secure the wheelchair and passenger.
1. Remove footrests, armrests and accessories.
 2. Store footrests, armrests and accessories safely.
 3. If possible, fold the wheelchair and remove the rear wheels.
 4. Place the wheelchair in the luggage compartment.
 5. If the luggage and passenger compartments are NOT separated, attach the frame of the wheelchair securely to the vehicle. You can use the available safety belts in the vehicle.

2.5. Folding/Unfolding

⚠ CAUTION

Risk of injuries

- Keep fingers away from moving parts of the wheelchair.

2.5.1. Unfolding the wheelchair

1. Position yourself behind the wheelchair.
2. Use the handgrips to open the wheelchair as much as possible.
3. Position yourself at the front of the wheelchair.
4. Push both seating tubes down till they are fixed in their position.
5. Mount the push bar (see §3.3.4.).

2.5.2. Folding the wheelchair

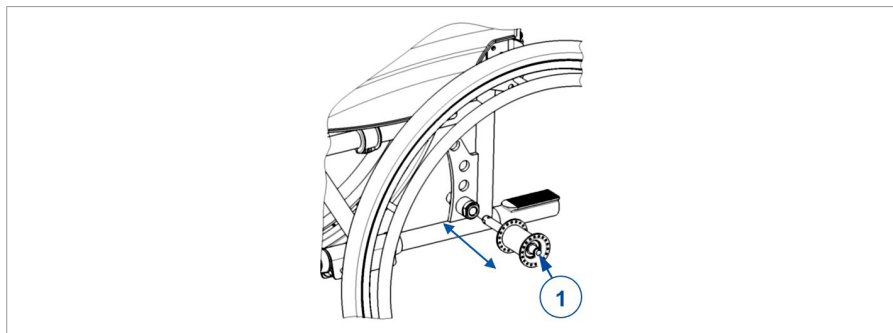
1. Fold the footplates or remove the footrests (see § 3.3.1.).
2. Remove the push bar (see §3.3.4.).
3. Take the seat on the front side and backside and pull it up.

2.5.3. Mounting the rear wheels

1. Take the rear wheel and push button (1).
2. Keep the button pushed in and mount the rear wheel axle until it stops.
3. Release the button.
4. Check that the wheel is secured.

2.5.4. Taking off the rear wheels

1. Make sure the brakes are in the off position.
2. Take the wheelchair to the side frame where you want to remove the wheel.
3. Press the button in the center of the wheel hub.
4. Pull the wheel away from the frame.



2.6. Storage

⚠ CAUTION

Risk of damage

- Make sure that your wheelchair is stored in a dry environment to prevent mould from growing and the upholstery from being damaged, see also chapter 5..

3. Using your wheelchair

WARNING

Risk of injuries

- First read previous chapters and inform yourself about the intended use. Do NOT use your wheelchair unless you have read and fully understood all instructions.
- In case of doubts or questions, do not hesitate to contact your local specialist dealer, your care provider or technical adviser to help you with this.

3.1. Operating the brakes

CAUTION

Risk of injuries

- The brakes are not used to slow down the wheelchair during movements. Use the brake only to prevent the wheelchair from unintended movements.
- Good operation of the brakes is influenced by wear and contamination of the tires (water, oil, mud, ...). Check the condition of the tires before each use.
- The brakes are adjustable and can wear. Check the operation of the brakes before each use.
- Make sure the wheelchair is on a flat horizontal surface before releasing the brakes. Never release both brakes simultaneously.

3.1.1. To apply the brakes:

1. Push the brake levers forward until you feel a distinctive click.

3.1.2. To release the brakes:

1. Release one brake by pulling the lever backwards.
2. Hold the hand rim of the released wheel with your hand.
3. Repeat this for the second wheel and parking brake.

3.2. Moving to/from the wheelchair

⚠ CAUTION

Risk of injuries or damage

- In case you cannot perform the transfer in a safe manner, ask someone to assist you.
- Do not stand on the footplates.

3.2.1. Transfer

1. Position the wheelchair as close as possible to the chair, couch or bed to/from which you wish to transfer.
2. Apply both parking brakes, see §3.1..
3. Fold the footplates or remove the footrests (see § 3.3.1.).
4. If the transfer is on the side of the wheelchair, remove the armrest on that side (see § 3.3.2.).
5. Transfer to/from the wheelchair using the strength of your arms or with the help of attendant(s) or lifting equipment.

3.2.2. Sitting in the wheelchair

Some recommendations for a comfortable use of the wheelchair:

- Sit down on the seat with your lower back against the backrest.
- Make sure your upper legs are horizontal. If needed adjust the length of the footrests (see installation manual).

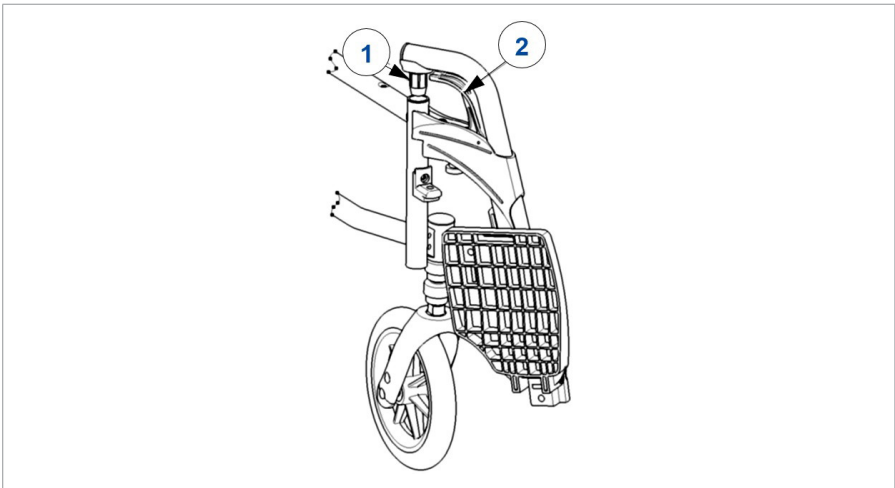
3.3. Comfort adjustments

⚠ CAUTION

Risk of injuries or damage

- The following comfort adjustments can be done by the attendant or caretaker. All other adjustments are done by your specialist dealer according to the installation instructions, see preface.
- Always keep the swing range of the footplate in mind to prevent bystanders from being injured or objects from being damaged.
- Make sure that your fingers, clothes, buckles don't get trapped during adjustment.

3.3.1. Mounting or removing the footrests



3.3.1.1. Mounting the footrests

1. Hold the footrest sideways at the outside of the wheelchair's frame and mount the tube hood (1) into the frame.
2. Swing the footrest inwards until it clicks in position.
3. Swing the footplate downwards.

3.3.1.2. Dismounting the footrests

1. Pull lever (2).
2. Swing the footrest to the outside of the wheelchair until it comes loose from the guidance.
3. Pull the footrest from the tube hood (1).

3.3.2. Mounting or removing the armrests

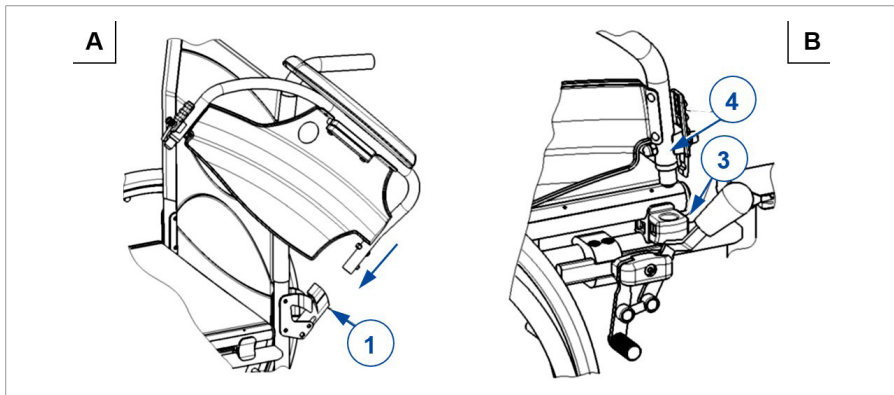
⚠ CAUTION

Risk of injuries

- Keep fingers, buckles and clothes away from the bottom side of the armrest.

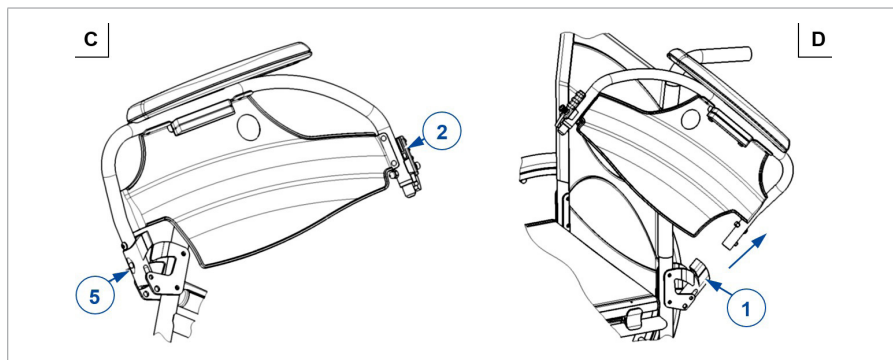
3.3.2.1. Mounting the armrests

1. Mount the rear tube of the arm rest in tube hood (1). (Fig A)
2. Make sure the armrest clicks in the locking mechanism.
3. Fold the arm support to the front.
4. Click the front tube of the arm support (4) in tube hood (3). (Fig B)



3.3.2.2. Opening and removing the armrests

1. Press lever (2) and pull the front of the arm support upwards. (Fig C)
2. Fold the arm support backwards.
3. To remove the arm support, press button (5) and pull the rear of the arm support from tube hood (1). (Fig C & D)



3.3.3. Adjusting anti-tipping (if applicable)

Adjust the height of the anti-tipping in 7 positions (range 120 mm: steps 20 mm):

1. Loosen the star knob (1) .
2. Move the tube of the anti-tipping in the desired height.
3. Secure the star knob.
4. Make sure that the anti-tipping is firmly secured.

3.3.4. Mounting or removing the push bar

⚠ WARNING

Risk of injuries

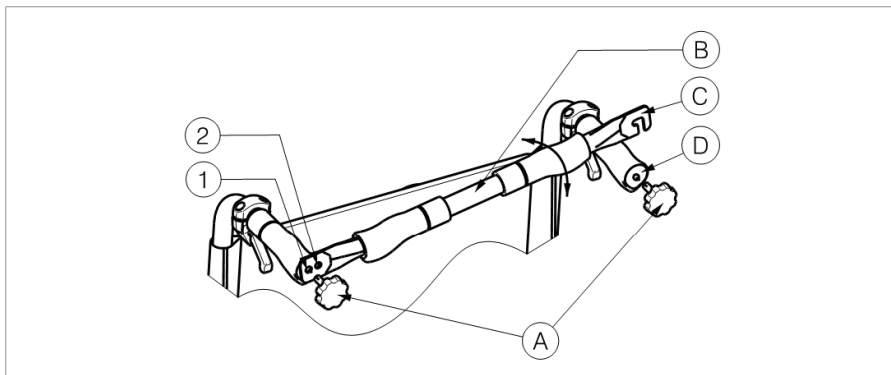
- Make sure that buttons (A) are tightened.
- When equipped with the push bar, the push bar should always be mounted to increase the stability of the back.

3.3.4.1. To mount the push bar

1. Mount the push bar (B) with the star knob (A) in the left handgrip.
2. Swing the push bar (B) to the right.
3. Mount hook (C) over the right handgrip (D) as shown on the drawing. Use holes (1) or (2) to adjust the tension of the backrest.

3.3.4.2. To take off the push bar

1. Loosen the star knob (A) on the right handgrip.
2. Remove hook (C) from the right handgrip (D).



3.4. Riding the wheelchair

- i** Depending on your medical condition and type of wheelchair, you can ride the wheelchair yourself or have it pushed by an attendant.

⚠ CAUTION

Risk of entrapment

- Prevent your fingers from being caught by the wheel spokes.
- Prevent entrapment of your hands on the hand rims when you pass small passages.
- When driving with an attendant, keep your arms away from the wheels and keep your feet on the footplates.

⚠ CAUTION

Risk of injuries or damage

- Do NOT drive on slopes, obstacles, steps or kerbs larger than specified in § 5..
- Do not proceed with your wheelchair in traffic. Always stay on the pavement.
- Do not operate the hand rims with wet hands.
- Pay attention if the road has holes or gaps that may cause entrapment of the wheels.

- Avoid stones and other objects that may block the wheels.
- Always keep the swing range of the footplate in mind to prevent bystanders from being injured or objects from being damaged.
- Before every usage, make sure that:
 - all adjustments are firmly secured, see §3.3..
 - the parking brakes are working properly.
 - the tires are in good condition, see §4.2.1..

3.4.1. Riding with an attendant

1. Release the brakes or have them released by the attendant, while he/ she is holding the wheelchair to prevent movement, see §3.1..
2. The attendant grasps the handgrips or push bar to push the wheelchair in the desired direction.
3. After stopping, apply the brakes while holding the wheelchair in place, see §3.1..

3.4.2. Riding on your own

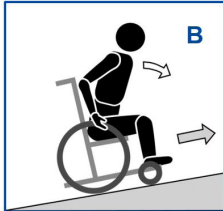
1. Release the parking brakes one by one, see §3.1..
2. Move your hands to the highest position on both hand rims.
3. Lean forward and push the hand rims forward until your arms are straight.
4. Swing your arms loosely back to the topside of the hand rims and repeat the push movement.
5. To stop: wait until the wheelchair stops and move forward/backward by operating the hand rims. Apply the parking brakes one by one, see §3.1..

3.4.3. Riding on slopes

⚠ CAUTION

Risk of injuries

- If the attendant has too little strength to control the wheelchair, stop riding and use the brakes immediately.
- When you stop on a (small) slope, use your brakes.



1. Secure yourself in the wheelchair with a safety belt.
2. Ask an attendant or a bystander to help you.
3. Drive slowly and in a straight line. Lean slightly forward (A/B) when going up the slope. Lean backwards, against the backrest, when going down the slope.
4. Never reverse on a slope.

3.4.4. Using ramps

⚠ CAUTION

Risk of tipping over

- Only use ramps approved by Vermeiren and do not exceed their maximum load.
 - Make sure that the wheelchair does not touch the ground or ramp due to the inclination of the wheelchair.
 - Only negotiate ramps with the help of one or two attendants.
1. Adjust the position of backrest, seat and footrest to decrease the volume taken by the wheelchair and to increase the stability during inclination.
 2. Remove the footrests, see **§3.3.1.**
 3. Follow the instructions in **§3.4.3.**

3.4.5. Using stairs

⚠ CAUTION

Risk of tipping over

- Stairs should always be negotiated with the help of two attendants.
- Never try to use stairs that are not appropriate for wheelchairs.



1. Remove the footrests, see **§3.3.1.**
2. One attendant tips the wheelchair slightly backwards by the handles.
3. The second attendant grabs the wheelchair at the front of the frame, on both sides of the wheelchair.
4. Stay calm, avoid sudden movements and keep your arms inside the wheelchair.
5. Both attendants lift and pull the wheelchair from step to step while the rear wheels roll over the steps.
6. After using the stairs, mount the footrests back in place, see **§3.3.1.**

3.4.6. Coping with obstacles

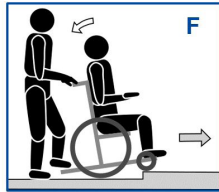
⚠ CAUTION

Risk of tipping over

- If you do not have enough experience with your wheelchair, ask assistance of an attendant.
- Make sure that the footplates do not touch ground while taking an obstacle.
- Do not use your wheelchair on an escalator.
- If available, wear your safety belt.

3.4.6.1. Small kerbs (up or down)

These can be taken forward (E / F) with one attendant, or by experienced wheelchair users alone.



1. The attendant moves the wheelchair forward approaching the kerb. Make sure the footplates won't touch the kerbs.
2. Lean backwards to reduce the pressure on the front wheels.
3. The attendant holds the handles firmly while moving forward. If necessary he uses the tipping aid to keep the front wheels lifted until they have passed the kerb rim.
4. The attendant releases the pressure on the handles and tipping aid to gently put the front wheels on the ground.
5. Next, he holds the handles firmly while pushing the wheelchair with the rear wheels up/down the kerb.

A practiced user can negotiate small kerbs forward by himself:



Going down:

1. Bring balance on the rear wheels to reduce the pressure on the front wheels.
2. Negotiate the kerb.





Going up:

1. Drive until the kerb.
2. Lean backwards so you are balancing on the rear wheels.
3. Roll the front wheels balancing over the kerb.
4. Bend forwards for more stability.
5. Roll the rear wheels over the kerb.

3.4.6.2. Medium kerbs (up or down)

These should be taken backwards with one attendant:

 Diagram G shows an attendant leaning forward towards a wheelchair on a kerb. The attendant's center of gravity is shifted forward, indicated by a blue 'G' in the top right corner. Arrows show the attendant moving left and the wheelchair moving right.	<ol style="list-style-type: none">1. The attendant reverses the wheelchair so that rear wheels approach the kerb first (G / H).2. Going down: Lean forward (G) to move your centre of gravity to the front. Going up: Lean backward (H) to move your centre of gravity to the back.3. The attendant pulls the wheelchair gently from/on the kerb.
 Diagram H shows an attendant leaning backward while pulling a wheelchair on a kerb. The attendant's center of gravity is shifted backward, indicated by a blue 'H' in the top right corner. Arrows show the attendant moving right and the wheelchair moving left.	

3.4.6.3. Higher kerbs

Higher kerbs, but below maximum size, see §5., should be taken with help of two attendants.

Going down:

1. Remove the footrests.
2. The attendant moves the wheelchair forward approaching the kerb.
3. Lean backwards to reduce the pressure on the front wheels.
4. The attendant holds the handles firmly and uses the tipping aid to keep the front wheels lifted until they have passed the kerb rim.
5. The second attendant grabs the front of the frame and moves backwards while pulling the rear wheels down the kerb.
6. The first attendant releases the pressure on the handles and tipping aid to put the front wheels on the ground.

Going up:

1. Remove the footrests.
2. The first attendant reverses the wheelchair so that rear wheels approach the kerb first.

3. Lean backward to move your centre of gravity to the back.
4. The second attendant grabs the front of the frame and moves forward while pulling/pushing the rear wheels on the kerb. The first attendant lifts and holds the handles firmly to prevent the wheelchair from tipping over.

4. Maintenance

- i** Regular care ensures that your wheelchair is preserved in a perfectly functional condition. For the maintenance manual, refer to the Vermeiren website: www.vermeiren.com.

4.1. Points of maintenance

⚠ CAUTION

Risk of injuries and damage

- Repairs and replacements may only be undertaken by trained persons and only genuine replacement parts of Vermeiren should be used.

- i** The last page of this manual contains a registration form for the specialist dealer to record each service. The service frequency depends on the frequency and intensity of use. Contact your dealer to agree to a common timetable for inspection/maintenance/repair.

4.1.1. Before each use

Inspect the following points:

- All parts: Present and undamaged or unworn.
- All parts: Clean, see § 4.2.2..
- Wheels, backrest, seat, calf rests, arm rests, footplates: Well secured.
- Condition of wheels/tyres, see § 4.2.1..

- Condition of frame parts: No deformation, instability, weakness or loose connections.
- Seat, backrest, arm pads, calf pads and head rest (if applied): No excessive wear (like dented spots, damage or tears).
- Brakes: Undamaged and functioning.

Contact your specialist dealer for possible repairs or part replacements.

4.1.2. Yearly or more often

Have your wheelchair inspected and serviced by your specialist dealer, at least once a year, or more often. The minimum maintenance frequency depends on use and should therefore be commonly agreed upon with your specialist dealer.

4.1.3. If stored

Make sure that your wheelchair is stored in a dry environment to prevent mould from growing and the upholstery from being damaged, see also chapter 5..

4.2. Maintenance instructions

4.2.1. Wheels and tyres

- i** Proper working of the brakes depends on the state of the tyres, and can change due to wear and contamination (water, oil, mud, ...).

Keep your wheels free of wires, hair, sand and fibres.

Check the profile of the tyres. If the tread depth is less than 1 mm, the tyres need to be replaced. Contact your specialist dealer for this matter.

Inflate each pneumatic tyre to the correct pressure (see pressure indication on the tyres).

For instructions on how to change the tyres, see the installation manual.

4.2.2. Cleaning

⚠ CAUTION

Risk of damage by moisture

- Never use a hose or high-pressure cleaner to clean the wheelchair.

Wipe all rigid parts with a damp cloth (not drenched). If necessary, use a mild soap, suitable for varnishes and synthetics.

The upholstery can be cleaned with lukewarm water and a mild soap. Do not use abrasive cleaning agents to clean.

4.2.3. Disinfection

⚠ CAUTION

Risk of damage

- Disinfections may only be undertaken by trained persons. Consult your specialist dealer.

4.3. Troubleshooting

Even if you use your wheelchair properly, a technical problem may occur. In this case, contact your local specialist dealer.

⚠ WARNING

Risk of injuries and damage

- NEVER attempt to repair your wheelchair yourself.

The following symptoms may indicate a serious problem. Therefore always contact your specialist dealer if you spot any of the following deviations:

- Strange sound;
- Uneven tread wear on one of the tyres;
- Jerky movements;
- Wheelchair deflects to one side;
- Damaged or broken wheel assemblies.

4.4. Expected lifespan

The wheelchair is designed to have an average lifespan of 5 years. Depending on the frequency of use, driving circumstances and maintenance, the lifespan of your wheelchair will increase or decrease.

4.5. Reuse

Before each reuse, have the wheelchair disinfected, inspected and serviced according to the instructions in **§ 4.1.** and **§ 4.2..**

4.6. End of use

At end of life, you need to dispose your wheelchair according to the local environmental legislation. The best way to do so, is to disassemble the wheelchair to facilitate the transport of recyclable parts.

4.7. Warranty

The warranty on this product is subject to the general terms and conditions of each country.

5. Technical specifications

The technical details below are only valid for this wheelchair, at standard settings and optimal ambient conditions. Take these details into account during use. The values are no longer applicable if your chair has been modified, damaged, or is severely worn.

Brand	Vermeiren
Product group	Manual wheelchair
Type	V300 XL
Description	Dimensions
Maximum user weight	170 kg
Overall length	1085 mm
Overall width	740 mm 770 mm 810 mm
Overall height	840 mm - 930 mm
Total mass	21 kg
Mass of heaviest part	13,35 kg
Mass of removable parts	
Footrests	1,75 kg
Armrests	1,8 kg
Rear wheels	4,05 kg
Static stability downhill	6,5°
Static stability uphill	6,5°
Static stability sideways	18°
Seat plane angle	0° - 10°
Effective seat depth	490 mm 510 mm 530 mm 550 mm
Effective seat width	530 mm 560 mm 600 mm
Seat surface height at front edge	440 mm - 530 mm
Backrest angle	5°
We reserve the right to introduce technical changes. Measurement tolerance +- 15 mm / 1,5 kg / 1,5°	

Brand	Vermeiren
Product group	Manual wheelchair
Type	V300 XL
Description	Dimensions
Backrest height	400 mm
Footplate to seat distance	400 mm - 500 mm
Leg to seat surface angle	105°
Footplate angle	80°
Distance between arm pad and seat	220 mm - 240 mm
Front location of arm pad structure	410 mm
Horizontal location of axle (deflection)	1,27 mm - 61,04 mm
Minimum turning radius	1500 mm
Diameter of rear wheels	22" 24"
Tyre pressure rear wheels	Max. 3,5 bar
Diameter of front wheels	200 mm
Tyre pressure front wheels	Max. 2,5 bar
Use temperature	+5°C - +41°C
Storage and use humidity	30% - 70%
We reserve the right to introduce technical changes. Measurement tolerance +- 15 mm / 1,5 kg / 1,5°	

Table des matières

Préface	30
1. Votre produit	32
1.1. Options	33
2. Avant l'utilisation	33
2.1. Usage prévu et indications	33
2.2. Consignes de sécurité et risques applicables	34
2.3. Les symboles sur le fauteuil roulant	35
2.4. Transport	36
2.5. Pliage/Dépliage	36
2.6. Entreposage	38
3. Utilisation de votre fauteuil roulant	38
3.1. Utilisation des freins	38
3.2. Se déplacer du/vers le fauteuil roulant	39
3.3. Réglages de confort	40
3.4. Déplacements avec le fauteuil roulant	44
4. Entretien	51
4.1. Points d'entretien	51
4.2. Instructions d'entretien	52
4.3. Résolution des problèmes	53
4.4. Durée de vie attendue	54
4.5. Réutilisation	54
4.6. Mise au rebut	54
4.7. Garantie	54
5. Spécifications techniques	55

Préface

Félicitations ! Vous êtes à présent l'heureux propriétaire d'un fauteuil roulant Vermeiren !

Ce fauteuil roulant a été fabriqué par un personnel qualifié et responsable. Il est conçu et produit conformément aux normes de qualité élevées, appliquées par Vermeiren.

Merci de la confiance que vous accordez aux produits de Vermeiren. Ce manuel est destiné à vous aider dans l'utilisation de ce fauteuil roulant et de ses options de fonctionnement. Veuillez le lire attentivement. Vous pourrez ainsi vous familiariser avec le fonctionnement, les capacités et les limites de votre fauteuil roulant.

Si vous avez encore des questions après la lecture de ce manuel, n'hésitez pas à prendre contact avec votre revendeur spécialisé. Il vous aidera volontiers.

Remarque importante

Pour assurer votre sécurité et prolonger la durée de vie de votre produit, prenez-en grand soin et faites-le contrôler ou entretenir régulièrement.





Ce manuel est le reflet des derniers développements du produit. Vermeiren a le droit d'apporter des modifications à ce type de produit sans être tenu d'adapter ou de remplacer des produits similaires fournis précédemment.

Les illustrations du produit sont utilisées afin de clarifier les instructions de ce manuel. Les détails du produit illustré peuvent diverger de votre produit.

Informations disponibles

Sur notre site Internet <http://www.vermeiren.com/>, vous trouverez toujours la dernière version des informations décrites dans le présent manuel. Veuillez consulter régulièrement ce site Internet pour connaître les éventuelles mises à jour.

Les personnes malvoyantes peuvent télécharger la version électronique de ce manuel et la lire au moyen d'une application de texte-parole.

	Manuel d'utilisation Pour l'utilisateur et le revendeur spécialisé
	Instructions d'installation Pour le revendeur spécialisé
	Manuel d'entretien des fauteuils roulants Pour le revendeur spécialisé
	Déclaration de conformité CE

1. Votre produit



1. Poignées de poussée
2. Barre de poussée
3. Dossier
4. Manchettes
5. Accoudoirs
6. Siège
7. Repose-pieds
8. Palettes
9. Roues avant
10. Freins
11. Roues arrière
12. Mains-courantes
13. Levier basculeur
14. Croisillon
15. Plaque d'identification

1.1. Options

Prenez contact avec votre revendeur spécialisé pour connaître les options possibles. Il vous conseillera volontiers.

2. Avant l'utilisation

2.1. Usage prévu et indications

- Ce produit est un dispositif médical.
- Indications et contre-indications : L'utilisateur peut lui-même faire avancer le fauteuil roulant ou se faire pousser par une autre personne. Le fauteuil roulant est destiné aux personnes âgées ou aux personnes ayant des capacités de marche réduites, ou personnes sans capacité de marche, et qui ont besoin d'une largeur d'assise supérieure à 50 cm et/ou d'un poids d'utilisateur plus élevé. Vous ne devez PAS utiliser ce fauteuil roulant si vous souffrez de handicaps physiques ou mentaux qui pourraient vous mettre, vous-même ou d'autres personnes, en danger pendant la conduite. C'est pourquoi vous devez d'abord consulter votre médecin et vous assurer que votre revendeur spécialisé est informé de cet avis.
- Ce fauteuil roulant convient à un usage à l'intérieur et à l'extérieur.
- Ce fauteuil roulant est conçu et fabriqué uniquement pour le transport d'une (1) personne d'un poids maximum de 170 kg. Il n'est pas destiné au transport de marchandises ou d'objets, ni à tout autre usage que celui décrit précédemment.
- Utilisez uniquement des accessoires et des pièces de rechange approuvés par Vermeiren.
- Consultez également les détails techniques et les limites de votre fauteuil au chapitre 5..
- La garantie sur ce produit est basée sur une utilisation et un entretien normaux, tels que décrits dans le présent manuel. Les dommages à votre produit dus à un usage inapproprié ou à un manque d'entretien auront pour effet d'annuler la garantie.

2.2. Consignes de sécurité et risques applicables

ATTENTION

Risque de blessures ou de dommages

- Veuillez lire et suivre les instructions stipulées dans le présent manuel d'utilisation. Autrement, vous pourriez vous blesser ou votre fauteuil roulant pourrait être endommagé.















Tenez compte des avertissements généraux suivants pendant l'emploi:

- N'utilisez pas votre fauteuil roulant si vous êtes sous l'influence de l'alcool, de médicaments ou d'autres substances qui peuvent influencer vos capacités de conduite.
- N'oubliez pas que certaines parties de votre fauteuil roulant peuvent devenir très chaudes ou très froides en fonction de la température ambiante, des rayons du soleil ou des dispositifs de chauffage. Faites donc attention lorsque vous les touchez. Portez des vêtements de protection s'il fait froid. Lorsque vous sortez, des gants peuvent être utilisés pour améliorer la prise sur les mains courantes.
- Ne modifiez en aucun cas votre produit.
- Si l'emballage de votre produit a été endommagé, ouvert (involontairement) ou affecté par des conditions environnementales (humidité, chaleur,...) lors de la livraison, vérifiez l'intégrité de l'appareil de votre produit. En cas de doute, contactez votre revendeur spécialisé.

Sachez que votre fauteuil roulant peut interférer avec certains types de systèmes antivol, selon les paramètres utilisés. Cela peut déclencher l'alarme du magasin.

Tout incident grave [RDM (UE) 2017/745 §2 (65)] survenu en relation avec le dispositif doit être signalé au fabricant et à l'autorité compétente de l'État membre dans lequel l'utilisateur ou le patient est établi.

2.3. Les symboles sur le fauteuil roulant

	Indication du type
	Numéro de catalogue
	Numéro de série
	Dispositif médical
	Fabricant
	Date de fabrication
	Déclaration de conformité
	Attention : informations importantes
	Il est conseillé de lire le manuel
	Risque de coincement
	Poids maximum de l'utilisateur en kg
	Produit testé en cas d'accident ; peut être utilisé comme siège dans un véhicule automobile
	Ne convient pas pour être utilisé comme siège dans un véhicule motorisé
	Peut être utilisé comme siège dans un véhicule automobile ; points d'attaches indiqués

2.4. Transport

2.4.1. Transport par véhicule, comme bagage

⚠ AVERTISSEMENT

Risque de blessures

- N'utilisez PAS votre fauteuil roulant comme siège dans un véhicule, cf. symbole suivant.



- Vérifiez que le fauteuil roulant est bien fixé. Vous évitez ainsi des blessures des passagers en cas de collision ou de freinage brutal.
 - N'utilisez JAMAIS la même ceinture pour fixer le fauteuil roulant et le passager.
1. Retirez les repose-pieds, les accoudoirs et les accessoires.
 2. Stockez les repose-pieds, les accoudoirs et les accessoires en toute sécurité.
 3. Si possible, pliez le fauteuil roulant et retirez les roues arrières.
 4. Placez le fauteuil roulant dans le compartiment à bagages.
 5. Si le fauteuil roulant n'est PAS séparé de l'habitacle, fixez correctement le châssis du fauteuil roulant au véhicule. Vous pouvez utiliser les ceintures de sécurité du véhicule.

2.5. Pliage/Dépliage

⚠ ATTENTION

Risque de blessures

- N'insérez pas les doigts entre les éléments du fauteuil roulant.

2.5.1. Dépliage du fauteuil roulant

1. Placez-vous derrière le fauteuil roulant.
2. Utilisez les poignées pour ouvrir le fauteuil roulant autant que possible.
3. Placez-vous à l'avant du fauteuil roulant.

4. Poussez sur les deux tubes de l'assise vers le bas jusqu'à ce qu'ils soient fixés à leur place.
5. Montez la barre de poussée (voir §3.3.4.).

2.5.2. Pliage du fauteuil roulant

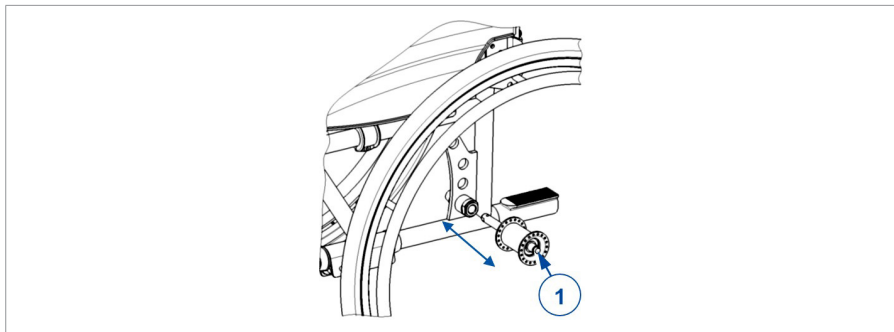
1. Pliez les palettes vers le haut ou démontez les repose-pieds (voir § 3.3.1.).
2. Retirez la barre de poussée (voir §3.3.4.).
3. Saisissez l'avant et l'arrière du siège et tirez vers le haut.

2.5.3. Montage des roues arrière

1. Prenez la roue arrière et poussez sur le bouton (1).
2. Maintenez le bouton enfoncé et montez l'essieu arrière jusqu'à ce qu'il soit bloqué.
3. Relâchez le bouton.
4. Vérifiez que la roue est bloquée.

2.5.4. Retrait des roues arrière

1. Vérifiez que les freins ne sont pas actionnés.
2. Placez-vous du côté du fauteuil roulant dont vous voulez retirer la roue.
3. Appuyez sur le bouton au centre du moyeu de roue.
4. Tirez la roue hors du châssis.



2.6. Entreposage

ATTENTION

Risque de dommages

- Assurez-vous que votre fauteuil roulant soit entreposé dans un environnement sec pour éviter l'altération du rembourrage de l'assise et du dossier, voir également le chapitre 5..

3. Utilisation de votre fauteuil roulant

AVERTISSEMENT

Risque de blessures

- Lisez d'abord les chapitres précédents et informez-vous à propos de l'usage visé. N'utilisez PAS votre fauteuil roulant sans avoir d'abord lu et bien compris toutes les instructions.
- En cas de doutes ou de questions, n'hésitez pas à prendre contact avec votre revendeur local, votre prestataire de soins ou votre conseiller technique qui pourra vous aider.

3.1. Utilisation des freins

ATTENTION

Risque de blessures

- Les freins n'ont pas pour but de ralentir le fauteuil roulant lors de déplacements. Ne les utilisez que pour éviter des mouvements non souhaités.
- Le fonctionnement du freins à mains ont influencé par l'usure et les salissures des pneus (eau, huile, boue...). Vérifiez l'état des pneus avant chaque utilisation.
- Les freins sont réglables et sont sujets à l'usure. Vérifiez leur fonctionnement avant chaque utilisation.
- Vérifiez que le fauteuil roulant se trouve sur une surface horizontale plane avant de relâcher les freins. Ne désactivez jamais les deux freins en même temps.

3.1.1. Pour serrer les freins :

1. Tirez les leviers des freins vers l'avant jusqu'à ce que vous ressentiez un clic clair.

3.1.2. Pour relâcher les freins:

1. Désactivez d'abord un frein en tirant le levier vers l'arrière.
2. Maintenez avec votre main la main-courante de la roue relâchée.
3. Répétez cette opération pour les deuxièmes roue et frein de stationnement.

3.2. Se déplacer du/vers le fauteuil roulant

ATTENTION

Risque de blessures ou de dommages

- Si vous ne pouvez pas réaliser le transfert en toute sécurité, demandez à quelqu'un de vous aider.
- Ne vous levez pas sur les palettes.

3.2.1. Transfert

1. Placez le fauteuil roulant aussi près que possible de la chaise, du canapé ou du lit concerné par le transfert.
2. Serrez les deux freins de stationnement, voir §3.1..
3. Pliez les palettes vers le haut ou démontez les repose-pieds (voir § 3.3.1.).
4. Si le transfert est réalisé sur le côté du fauteuil roulant, enlevez l'accoudoir de ce côté (voir § 3.3.2.).
5. Faites le transfert du ou vers le fauteuil roulant à la force de vos bras, ou avec l'aide d'un ou plusieurs accompagnateurs ou d'un équipement de levage.

3.2.2. S'asseoir sur le fauteuil roulant

Recommandations pour une utilisation confortable du fauteuil roulant:

- Asseyez-vous sur le siège, le bas du dos contre le dossier.
- Assurez-vous que vos cuisses soient horizontales. Réglez la longueur des repose-pieds si nécessaire (voir le manuel d'installation).

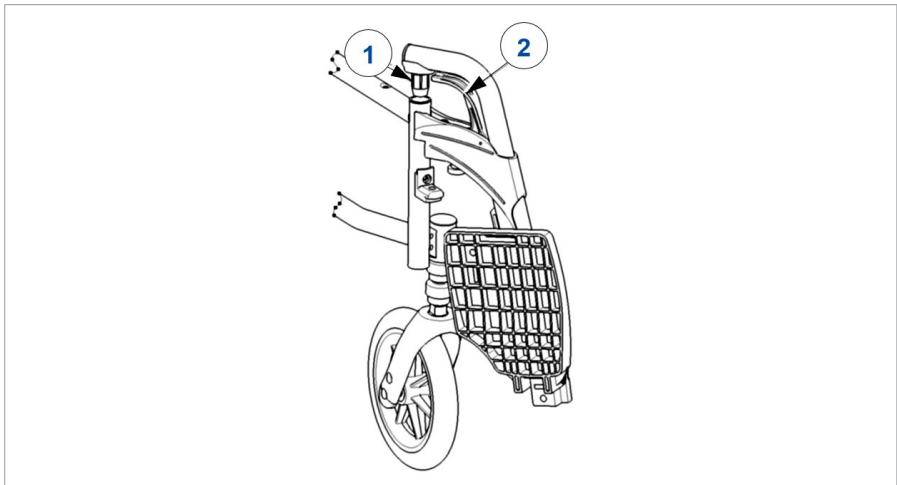
3.3. Réglages de confort

⚠ ATTENTION

Risque de blessures ou de dommages

- Les réglages de confort suivants peuvent être effectués par l'accompagnateur ou le personnel soignant. Tous les autres réglages sont effectués par votre revendeur spécialisé, conformément aux instructions d'installation, cf. l'avant-propos.
- Tenez toujours compte de l'amplitude de la palette repose-pied pour ne pas blesser les personnes ou endommager les objets aux alentours.
- Veiller à ne pas vous coincer les doigts, des vêtements ou des boucles pendant le réglage.

3.3.1. Placer ou enlever les repose-pieds



3.3.1.1. Montage des repose-pieds

1. Mettez les repose-pieds latéralement vers l'extérieur du cadre et montez les repose-pieds avec l'embout (1) dans le cadre.
2. Tournez le repose-pied vers l'intérieur jusqu'à ce qu'il se bloque en position.
3. Tournez la palette vers le bas.

3.3.1.2. Démontage des repose-pieds

1. Tirez sur le levier (2).
2. Basculez le repose-pied vers l'extérieur du fauteuil roulant jusqu'à ce qu'il ne soit plus fixé au système de guidage.
3. Tirez le repose-pied hors du logement de tube (1).

3.3.2. Montage ou retrait des accoudoirs

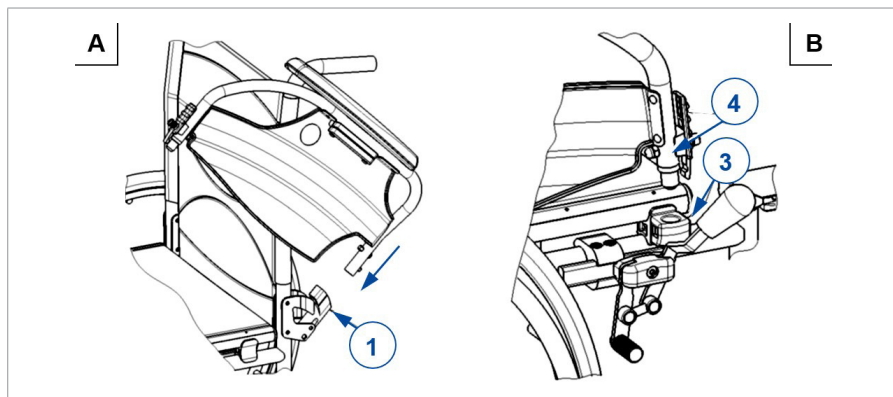
ATTENTION

Risque de blessures

- Laissez les doigts, boucles et vêtements à l'écart du bas du repose-bras.

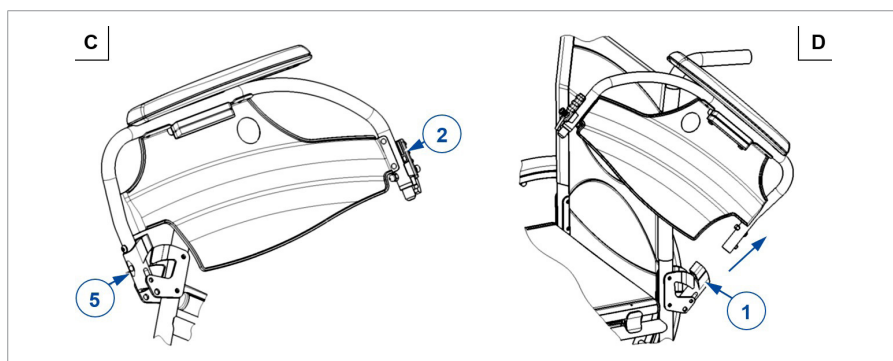
3.3.2.1. Montage des accoudoirs

1. Montez le tube arrière de l'accoudoir dans le logement de tube (1). (Fig. A)
2. Assurez-vous que le support de bras se met bien en place dans le mécanisme de verrouillage.
3. Pliez l'accoudoir vers l'avant.
4. Verrouillez le tube avant de l'accoudoir (4) dans le logement de tube (3). (Fig. B)



3.3.2.2. Ouverture et démontage des accoudoirs

1. Appuyez sur le levier (2) et tirez l'avant de l'accoudoir vers le haut. (Fig. C)
2. Pliez l'accoudoir vers l'arrière.
3. Pour retirer l'accoudoir, appuyez sur le bouton (5) et tirez l'arrière du repose-bras hors du logement de tube (1). (Fig. C et D)



3.3.3. Réglage de l'anti-bascule (si applicable)

Réglez la hauteur de l'anti-bascule en 7 positions de la manière suivante (portée 120 mm: plages de 20 mm):

1. Desserrer le bouton en étoile (1) .
2. Déplacez le tube de l'anti-bascule jusqu'à la hauteur souhaitée.

3. Serrez le bouton croisillon manuellement.
4. Vérifiez que l'anti-bascule soit fermement fixé.

3.3.4. Montage ou démontage de la barre de poussée

⚠ AVERTISSEMENT

Risque de blessures

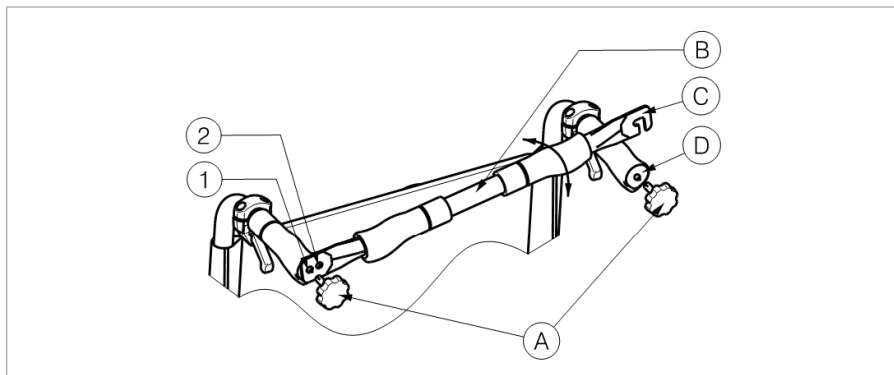
- Assurez-vous que les boutons (A) sont correctement serrés.
- Si le fauteuil roulant dispose d'une barre du pousoir, elle doit toujours être montée afin d'augmenter la stabilité.

3.3.4.1. Pour monter la barre de poussée

1. Fixez la barre du pousoir (B) avec le bouton à croisillon (A) sur la poignée de gauche.
2. Tournez la barre du pousoir (B) vers la droite.
3. Fixez le crochet (C) sur la poignée de droite (D) comme indiqué sur le dessin. Utiliser les trous (1) ou (2) pour ajuster la tension du dossier.

3.3.4.2. Pour supprimer la barre de poussée

1. Détachez la vis (A) au niveau de la poignée droite.
2. Enlevez le crochet (C) de la poignée droite (D).



3.4. Déplacements avec le fauteuil roulant

- i** Suivant votre état de santé et le type de fauteuil roulant, vous pouvez utiliser le fauteuil roulant vous-même ou le faire pousser par un accompagnateur.

⚠ ATTENTION

Risque de coincement

- Faites attention de ne pas vous coincer les doigts dans les rayons des roues.
- Faites attention de ne pas vous coincer les mains sur les mains courantes lorsque vous roulez dans des passages étroits
- Lorsque vous vous déplacez avec un accompagnateur, gardez vos mains à l'écart des roues et laissez vos pieds sur la palette repose-pieds.

⚠ ATTENTION

Risque de blessures ou de dommages

- Ne roulez PAS sur des pentes, obstacles, marches ou bordures plus larges que la dimension décrite au § 5..
- Ne vous mêlez pas à la circulation sur la chaussée avec votre fauteuil roulant. Restez toujours sur le trottoir.
- Ne tenez pas les poignées avec des mains mouillées.
- Faites attention s'il y a des trous ou des fissures dans la route qui peuvent coincer les roues.
- Évitez les pierres et autres objets pouvant bloquer les roues.
- Tenez toujours compte de l'amplitude de la palette repose-pied pour ne pas blesser les personnes ou endommager les objets aux alentours.
- Avant tout usage, assurez-vous que :
 - tous les réglages sont fermement fixés, voir §3.3..
 - les freins de stationnement fonctionnent correctement.
 - les pneus sont en bon état, voir §4.2.1..

3.4.1. Rouler avec un accompagnateur

1. Lâchez les freins ou demandez à l'accompagnateur de le faire pendant qu'il/elle maintient le fauteuil roulant pour l'empêcher de se déplacer, voir §3.1..
2. L'accompagnateur saisit les poignées ou la barre de poussée pour pousser le fauteuil roulant dans la direction souhaitée.
3. Une fois à l'arrêt, actionnez les freins tout en immobilisant le fauteuil roulant, voir §3.1..

3.4.2. Roulez seul

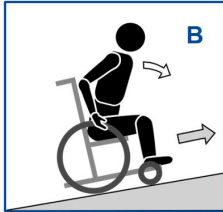
1. Relâchez les freins de stationnement un par un, voir §3.1..
2. Déplacez vos mains à la position la plus élevée sur les deux mains courantes.
3. Penchez-vous en avant et poussez les mains courantes vers l'avant jusqu'à ce que vos bras soient tendus.
4. Faites pivoter vos bras librement vers le haut des mains courantes et répétez le mouvement de poussée.
5. Pour arrêter : attendez jusqu'à ce que le fauteuil roulant s'arrête et avancez/reculez en actionnant les mains courantes. Serrez les freins de stationnement un par un, voir §3.1..

3.4.3. Rouler sur des pentes

ATTENTION

Risque de blessures

- Si l'accompagnateur n'a pas suffisamment de force pour contrôler le fauteuil roulant, arrêtez de rouler et utilisez immédiatement le frein.
- Lorsque vous vous arrêtez sur une (petite) pente, utilisez vos freins.



1. Attachez-vous dans le fauteuil roulant avec une ceinture de sécurité.
2. Demandez à un accompagnateur ou à un passant de vous aider.
3. Roulez lentement et en ligne droite. Penchez-vous légèrement vers l'avant (A/B) lorsque vous montez la pente. Penchez-vous vers l'arrière, contre le dossier, en descendant la pente.
4. Ne faites jamais demi-tour sur une pente.

3.4.4. Usage des rampes

⚠ ATTENTION

Risque de basculement

- Utilisez uniquement les rampes approuvées par Vermeiren et ne dépassez pas leur charge maximale.
 - Assurez-vous que le fauteuil roulant ne touche pas le sol ou la rampe lors de l'inclinaison.
 - Ne négociez les rampes qu'avec l'aide d'un ou deux accompagnateurs.
1. Réglez la position du dossier, du siège et du repose-pieds pour réduire le volume occupé par le fauteuil roulant et pour augmenter la stabilité pendant l'inclinaison.
 2. Retirez les repose-pieds, voir §3.3.1..
 3. Suivez les instructions au §3.4.3..

3.4.5. Usage des escaliers

⚠ ATTENTION

Risque de basculement

- Les escaliers doivent toujours être franchis à l'aide de deux accompagnateurs.
- N'essayez jamais d'emprunter des escaliers qui ne sont pas appropriés pour les fauteuils roulants.



1. Retirez les repose-pieds, voir §3.3.1..
2. Un accompagnateur incline légèrement le fauteuil vers l'arrière en utilisant les poignées.
3. Le deuxième accompagnateur saisit le fauteuil roulant par l'avant du cadre, des deux côtés du fauteuil.
4. Restez calme, évitez les mouvements brusques et gardez les mains à l'intérieur du fauteuil roulant.
5. Les deux accompagnateurs soulèvent et tirent le fauteuil roulant marche après marche en faisant rouler les roues arrière sur les marches.
6. Après avoir franchi les escaliers, remettez les repose-pieds en place, voir §3.3.1..

3.4.6. Aborder les obstacles

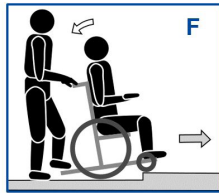
⚠ ATTENTION

Risque de basculement

- Si vous n'êtes pas assez expérimenté avec votre fauteuil roulant, demandez de l'aide à quelqu'un.
- Assurez-vous que les palettes repose-pieds ne touchent pas le sol lorsque vous abordez un obstacle.
- N'utilisez pas votre fauteuil roulant sur un escalier mécanique.
- Si disponible, portez votre ceinture de sécurité.

3.4.6.1. Petites bordures (monter ou descendre)

Ceux-ci peuvent être franchies en marche avant (E / F) avec un accompagnateur, ou par des utilisateurs entraînés seuls.



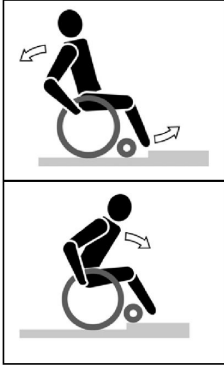
1. L'accompagnateur déplace le fauteuil roulant vers l'avant à l'approche de la bordure. Assurez-vous que les palettes repose-pieds ne touchent pas la bordure.
2. Penchez-vous vers l'arrière pour atténuer la pression sur les roues/avant
3. L'accompagnateur maintient fermement les poignées pendant le déplacement vers l'avant. Si nécessaire, il utilise le capuchon d'embout pour maintenir les roues avant relevées lorsqu'elles ont dépassé le bord de la bordure.
4. L'accompagnateur relâche la pression sur les poignées et le capuchon d'embout pour reposer les roues avant sur le sol.
5. Ensuite, il maintient fermement les poignées tout en poussant le fauteuil roulant avec les roues arrière en haut/bas de la bordure.

Un utilisateur entraîné peut négocier de petites bordures par lui-même :



Descendre :

1. Mettez plus de poids sur les roues arrière pour réduire la pression sur les roues avant.
2. Franchissez les bordures de trottoirs.



Monter :

1. Roulez jusqu'aux bordures de trottoirs.
2. Penchez-vous vers l'arrière pour déplacer votre centre de gravité vers les roues arrière.
3. Franchissez la bordure de trottoir avec les roues avant.
4. Penchez-vous vers l'avant pour plus de stabilité.
5. Franchissez la bordure de trottoir avec les roues arrière.

3.4.6.2. Bordures moyennes (monter ou descendre)

Celles-ci doivent être franchies en marche arrière avec un accompagnateur :



1. L'accompagnateur retourne le fauteuil roulant pour que les roues arrière se présentent en premier à l'approche de la bordure (G / H).
2. Descendre : Penchez-vous vers l'avant (G) pour déplacer le centre de gravité vers l'avant.
Monter : Penchez-vous vers l'arrière (H) pour déplacer le centre de gravité vers l'arrière.
3. L'accompagnateur tire délicatement le fauteuil roulant de/sur la bordure.

3.4.6.3. Bordures plus hautes

Les bordures plus hautes, mais sous la dimension maximale, cf. §5., doivent être franchies avec l'aide de deux accompagnateurs.

Descendre :

1. Enlevez les repose-pieds.
2. L'accompagnateur déplace le fauteuil roulant vers l'avant à l'approche de la bordure.
3. Penchez-vous vers l'arrière pour atténuer la pression sur les roues/avant
4. L'accompagnateur maintient fermement les poignées et utilise le capuchon d'embout pour maintenir les roues avant relevées lorsqu'elles ont dépassé le bord de la bordure.
5. Le deuxième accompagnateur saisit l'avant du cadre et recule en tirant les roues arrière en bas de la bordure.
6. L'accompagnateur relâche la pression sur les poignées et le capuchon d'embout pour reposer les roues avant sur le sol.

Monter :

1. Enlevez les repose-pieds.
2. Le premier accompagnateur retourne le fauteuil roulant pour que les roues arrière se présentent en premier à l'approche de la bordure.
3. Penchez-vous vers l'arrière pour déplacer le centre de gravité vers l'arrière.
4. Le deuxième accompagnateur saisit l'avant du cadre et avance en tirant/poussant les roues arrière sur la bordure. Le premier accompagnateur soulève et maintient fermement les poignées pour empêcher le fauteuil roulant de basculer.

4. Entretien

- i** Un entretien régulier vous permet de conserver votre fauteuil roulant dans un parfait état de fonctionnement. Pour le manuel d'entretien, consultez le site Web de Vermeiren : www.vermeiren.com.

4.1. Points d'entretien

⚠ ATTENTION

Risque de blessures et de dommages

- Les réparations et les remplacements ne peuvent être réalisés que par des personnes formées, et seules des pièces de remplacement d'origine de Vermeiren peuvent être utilisées.
- i** La dernière page de ce manuel contient un formulaire d'enregistrement pour permettre au revendeur spécialisé de consigner chaque entretien. La fréquence d'entretien dépend de la fréquence et de l'intensité de l'utilisation. Prenez contact avec votre commerçant pour convenir d'un rendez-vous pour une inspection/un entretien/une réparation.

4.1.1. Avant chaque utilisation

Inspectez les points suivants :

- Toutes les pièces : Présentes et sans dommage ni usure.
- Toutes les pièces : Propres, voir § 4.2.2..
- Roues, dossier, siège, repose-jambes, accoudoirs, palettes repose-pieds : Bien serrés.
- État des roues/pneus, voir § 4.2.1..
- État des pièces du cadre : Pas de déformation, d'instabilité, de faiblesse ou de connexions desserrées.
- Siège, dossier, manchettes, repose-jambes et appuie-tête (si applicable) : Pas d'usure excessive (bosses, dommages ou déchirures).
- Freins : Non endommagés et fonctionnant.

Contactez votre commerçant spécialisé pour les réparations et les remplacements de pièces éventuels.

4.1.2. Chaque année ou plus souvent

Faites inspecter et entretenir votre fauteuil roulant par votre revendeur spécialisé au moins une fois par an, ou plus. La fréquence d'entretien minimale dépend de l'usage et doit être déterminée de commun accord avec votre commerçant spécialisé.

4.1.3. En cas d'entreposage

Assurez-vous que votre fauteuil roulant soit entreposé dans un environnement sec pour éviter l'altération du rembourrage de l'assise et du dossier, voir également le chapitre 5..

4.2. Instructions d'entretien

4.2.1. Roues et pneus

i Un fonctionnement correct des freins dépend de l'état des pneus, qui peut changer en raison de l'usure et de la contamination (eau, huile, boue...).

Éliminez les fils, cheveux, le sable et les fibres de vos roues.

Vérifiez le profil des pneus. Si la profondeur de la sculpture est inférieure à 1 mm, les pneus doivent être remplacés. Prenez contact avec votre revendeur spécialisé à ce propos.

Gonflez chaque pneu à la pression adéquate (cf. les indications de pression sur les pneus).

Pour les instructions sur le changement des pneus, voir le manuel d'installation.

4.2.2. Nettoyage

⚠ ATTENTION

Risque de dommages dus à l'humidité

- N'utilisez jamais un tuyau ou un nettoyeur à haute pression pour nettoyer le fauteuil roulant.

Essayez toutes les parties rigides avec un chiffon humide (pas détrempe). Si nécessaire, utilisez un savon doux, approprié pour les laques et les synthétiques.

Le rembourrage peut être nettoyé à l'eau tiède additionnée de savon doux. N'utilisez pas de produits de nettoyage abrasifs.

4.2.3. Désinfection

⚠ ATTENTION

Risque de dommages

- La désinfection ne peut être réalisée que par des personnes qualifiées. Renseignez-vous auprès de votre revendeur spécialisé à cet égard.

4.3. Résolution des problèmes

Même si vous utilisez votre fauteuil roulant de façon appropriée, les problèmes techniques ne sont pas exclus. Dans ce cas, contactez votre local revendeur spécialisé.

⚠ AVERTISSEMENT

Risque de blessures et de dommages

- N'essayez JAMAIS de réparer votre fauteuil roulant vous-même.

Les symptômes suivants peuvent indiquer un problème grave. Par conséquent, prenez toujours contact avec votre revendeur spécialisé si vous détectez l'une des anomalies suivantes :

- Bruit anormal ;
- Usure inégale sur la sculpture de l'un des pneus ;
- Mouvements saccadés ;
- Le fauteuil roulant dévie d'un côté ;
- Ensembles de roues endommagés ou cassés.

4.4. Durée de vie attendue

Le fauteuil roulant est conçu pour avoir une durée de vie moyenne de 5 ans. Selon la fréquence d'utilisation, les circonstances de conduite et d'entretien, la durée de vie de votre fauteuil roulant augmentera ou diminuera.

4.5. Réutilisation

Avant chaque réutilisation, faites désinfecter, inspecter et entretenir le fauteuil roulant conformément aux instructions du § 4.1. et du § 4.2..

4.6. Mise au rebut

À la fin de sa durée de vie, votre fauteuil roulant doit être évacué conformément à la législation environnementale locale. Il est recommandé de démonter le fauteuil roulant afin de faciliter le transport des matériaux recyclables.

4.7. Garantie

La garantie de ce produit est soumise aux conditions générales de chaque pays.

5. Spécifications techniques

Les détails techniques ci-dessous concernent uniquement ce fauteuil roulant, avec des réglages standard et dans des conditions ambiantes optimales. Veuillez tenir compte de ces détails pendant l'utilisation. Les valeurs ne sont plus valables si votre fauteuil a été modifié, endommagé ou présente une usure sérieuse.

Marque	Vermeiren
Groupe de produit	Fauteuil roulant
Type	V300 XL
Description	Dimensions
Poids maximum de l'utilisateur	170 kg
Longueur hors tout	1085 mm
Largeur hors tout	740 mm 770 mm 810 mm
Hauteur générale	840 mm - 930 mm
Masse totale	21 kg
Poids de la pièce la plus lourde	13,35 kg
Poids des pièces amovibles	
Repose-pieds	1,75 kg
Accoudoirs	1,8 kg
Roues arrière	4,05 kg
Stabilité statique en descente	6,5°
Stabilité statique en montée	6,5°
Stabilité statique latérale	18°
Angle du plan d'assise	0° - 10°
Profondeur d'assise efficace	490 mm 510 mm 530 mm 550 mm
Largeur d'assise efficace	530 mm 560 mm 600 mm
Nous nous réservons le droit d'apporter des modifications techniques. Tolérance de mesures +/- 15 mm / 1,5 kg / 1,5°.	

Marque	Vermeiren
Groupe de produit	Fauteuil roulant
Type	V300 XL
Description	Dimensions
Hauteur de la surface d'assise sur le bord avant	440 mm - 530 mm
Angle du dossier	5°
Hauteur du dossier	400 mm
Distance entre la palette et le siège	400 mm - 500 mm
Angle entre la surface du siège et la jambe	105°
Inclinaison du repose-pied	80°
Distance entre la manchette et le siège	220 mm - 240 mm
Emplacement avant des manchettes	410 mm
Emplacement horizontal de l'essieu (flèche)	1,27 mm - 61,04 mm
Diamètre de braquage minimum	1500 mm
Diamètre des roues arrière	22" 24"
Pression des pneus des roues arrière	Max. 3,5 bars
Diamètres des roues avant	200 mm
Pression des pneus des roues avant	Max. 2,5 bars
Température d'utilisation	+5°C - +41°C
Humidité de stockage et d'utilisation	30% - 70%
Nous nous réservons le droit d'apporter des modifications techniques. Tolérance de mesures +/- 15 mm / 1,5 kg / 1,5°.	

Inhoudsopgave

Voorwoord	58
1. Uw product	60
1.1. Opties	61
2. Voor gebruik	61
2.1. Beoogd gebruik en indicaties	61
2.2. Veiligheidsinstructies en relevante risico's	62
2.3. Symbolen op de rolstoel	63
2.4. Transport	64
2.5. Opvouwen/Ontvouwen	64
2.6. Opslag	66
3. Uw rolstoel gebruiken	66
3.1. De remmen bedienen	66
3.2. Transfer in/uit de rolstoel	67
3.3. Comfortaanpassingen	68
3.4. Rijden met de rolstoel	71
4. Onderhoud	77
4.1. Tijdstippen voor onderhoud	77
4.2. Onderhoudsinstructies	79
4.3. Probleemoplossing	80
4.4. Verwachte levensduur	80
4.5. Hergebruik	81
4.6. Beëindiging van gebruik	81
4.7. Garantie	81
5. Technische specificaties	82

Voorwoord

Proficiat! U bent eigenaar van een Vermeiren-rolstoel!

Deze rolstoel werd vervaardigd door gekwalificeerd en toegewijd personeel. Hij werd ontworpen en geproduceerd volgens hoge kwaliteitsnormen, bewaakt door Vermeiren.

Bedankt voor uw vertrouwen in de producten van Vermeiren. Om u te ondersteunen bij het gebruik van deze rolstoel en zijn bedieningsmogelijkheden, bieden we u deze handleiding aan. Lees deze informatie zorgvuldig door: het zal u helpen om vertrouwd te raken met de besturing, mogelijkheden en beperkingen van uw rolstoel.

Indien u na het lezen van deze handleiding nog vragen heeft, aarzel dan niet om contact op te nemen met uw vakhandelaar. Hij/Zij zal u met plezier verder helpen.

Belangrijke opmerking

Om uw veiligheid te garanderen, en om de levensduur van uw product te verlengen, raden we u aan om er goed zorg voor te dragen en om regelmatig nazicht en onderhoud te laten uitvoeren.

Deze handleiding houdt rekening met de recentste productontwikkelingen. De Firma Vermeiren behoudt zich het recht voor om wijzigingen aan dit type product door te voeren zonder verplicht te zijn om voordien geleverde producten aan te passen of te vervangen.

Afbeeldingen van het product worden gebruikt om de instructies in deze handleiding te verduidelijken. Details van het afgebeelde product kunnen afwijken van uw aangekochte product.

Beschikbare informatie

Op onze website <http://www.vermeiren.com/> kan u steeds de meest recente versie terugvinden van de informatie in deze handleiding. Contacteer deze website regelmatig voor mogelijke updates.

Personen met een visuele beperking kunnen de elektronische versie van de handleiding downloaden en met behulp van een tekst-naar-spraak softwareapplicatie laten voorlezen.

	Gebraiksaanwijzing Voor gebruiker en vakhandelaar
	Installatiehandleiding Voor de vakhandelaar
	Servicehandleiding voor rolstoelen Voor de vakhandelaar
	EC-conformiteitsverklaring

1. Uw product



1. Handgrepen
2. Duwstang
3. Rug
4. Armleggers
5. Armsteunen
6. Zit
7. Voetsteunen
8. Voetplaten
9. Voorwielen
10. Remmen
11. Achterwielen
12. Aandrijfhoepels
13. Tiphulp
14. Kruis
15. Identificatieplaat

1.1. Opties

Neem contact op met uw vakhandelaar voor opties. Hij adviseert u graag.

2. Voor gebruik

2.1. Beoogd gebruik en indicaties

- Dit product is een medisch hulpmiddel.
- Indicaties en contra-indicaties: De gebruiker kan de rolstoel zelf voortbewegen of laten duwen door een begeleider. De rolstoel is bedoeld voor ouderen of mensen die moeilijk of niet kunnen lopen, en die nood hebben aan een zitbreedte groter dan 50cm en/of een hoger gebruikersgewicht. Gebruik deze rolstoel NIET indien u lijdt aan psychische of mentale beperkingen waardoor u uzelf of andere mensen in gevaar kan brengen bij het rijden. Consulteer daarom eerst uw huisarts, en informeer uw vakhandelaar over zijn/haar advies.
- Deze rolstoel is geschikt voor gebruik binnen en buiten.
- Deze rolstoel is uitsluitend ontworpen voor het vervoer/transfer van één (1) persoon met een maximumgewicht van 170 kg. Het is niet bedoeld om goederen of objecten te vervoeren, noch voor enig ander gebruik dan hiervoor beschreven.
- Gebruik enkel accessoires en reserveonderdelen die werden goedgekeurd door Vermeiren.
- Lees eerst alle technische details en limieten van uw rolstoel in hoofdstuk 5..
- De garantie op dit product is gebaseerd op normaal gebruik en onderhoud zoals beschreven in deze handleiding. De garantie vervalt bij schade die werd veroorzaakt door verkeerd gebruik of gebrek aan onderhoud.

2.2. Veiligheidsinstructies en relevante risico's

VOORZICHTIG

Gevaar voor letsel en/of beschadiging

- Lees de instructies in deze handleiding en volg ze nauwkeurig op. Zo niet, kan dit leiden tot lichamelijk letsel of beschadiging aan uw rolstoel.















Houd rekening met de volgende algemene waarschuwingen tijdens het gebruik:

- Gebruik de rolstoel niet indien u onder invloed bent van alcohol, medicijnen of andere substanties die uw rijvermogen verminderen.
- Houd er rekening mee dat sommige onderdelen van uw rolstoel zeer warm of koud kunnen worden door omgevingstemperatuur, de zon of verwarmingstoestellen. Wees daarom voorzichtig bij het aanraken. Draag beschermende kleding bij koud weer. Bij buitengebruik kunnen rijhandschoenen de grip op de aandrijfhoepels verbeteren.
- Wijzig uw product op geen enkele manier.
- Indien de verpakking van uw product bij levering beschadigd, (onbedoeld) geopend, of aangetast is door omgevingsfactoren (vocht, hitte, ...), controleer dan de productintegriteit. Contracteer bij twijfel uw vakhandelaar.

Houd er rekening mee dat uw rolstoel, afhankelijk van de gebruikte instelling, bij sommige diefstalsystemen interferentie kan geven. Hierdoor kan het winkelalarm in werking gesteld worden.

Ieder ernstig incident [MDR (EU) 2017/745 §2 (65)] dat zich heeft voorgedaan met trekking tot het product dient gerapporteerd te worden aan de producent en de bevoegde autoriteit van de lidstaat waarin de gebruiker en/of patiënt gevestigd is.

2.3. Symbolen op de rolstoel

	Type aanduiding
	Catalogusnummer
	Serienummer
	Medisch hulpmiddel
	Producent
	Fabricagedatum
	EC-conformiteitsverklaring
	Let op: belangrijke informatie
	Het is aangeraden om de handleiding te lezen
	Risico voor knellen
	Maximum gewicht van de gebruiker in kg
	Gecrashtest product ; kan gebruikt worden als zitplaats in een voertuig
	Niet bedoeld om te gebruiken als een zitplaats in een voertuig
	Kan gebruikt worden als zitplaats in een voertuig; duidt de bevestigingspunten aan

2.4. Transport

2.4.1. Transport per voertuig, als bagage

⚠ WAARSCHUWING

Gevaar voor letsel

- Gebruik uw rolstoel NIET als zit in een voertuig, zie het volgende symbool.



- Zorg ervoor dat de rolstoel voldoende vastgemaakt is, om verwonding van de inzittenden tijdens aanrijding of plots remmen te voorkomen.
 - Gebruik voor het vastmaken van de rolstoel en de passagiers NOOIT dezelfde gordel.
1. Verwijder de voetsteunen, armsteunen en accessoires.
 2. Berg de voetsteunen, armsteunen en accessoires veilig op.
 3. Indien mogelijk, vouw de rolstoel op en verwijder de achterwielen.
 4. Plaats de rolstoel in de bagageruimte.
 5. Indien de rolstoel en de passagiersruimte NIET gescheiden zijn, slijp het frame van de rolstoel goed vast aan het voertuig. U kunt hiervoor gebruik maken van de veiligheidsgordels die in het voertuig voorhanden zijn.

2.5. Opvouwen/Ontvouwen

⚠ VOORZICHTIG

Gevaar voor letsel

- Houd uw vingers weg van de bewegende onderdelen van de rolstoel.

2.5.1. De rolstoel ontvouwen

1. Ga aan de achterzijde van de rolstoel staan.
2. Gebruik de handgrepen om de rolstoel zo ver mogelijk te openen.
3. Ga aan de voorzijde van de rolstoel staan.

4. Duw beide buizen waaraan de zit bevestigd is verder naar beneden.
5. Monteer de duwstang (zie §3.3.4.).

2.5.2. De rolstoel opvouwen

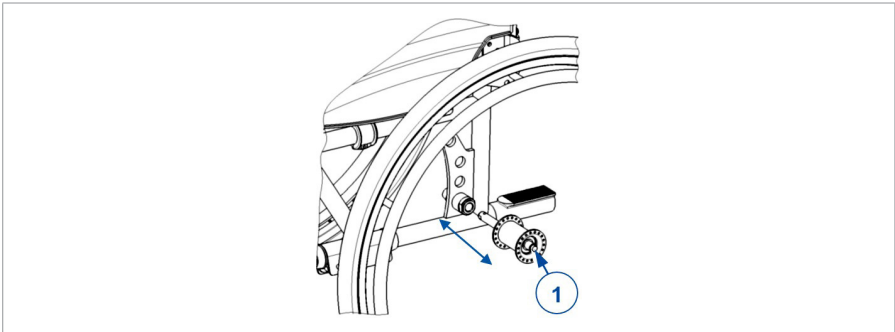
1. Klap de voetplaten omhoog, of verwijder de voetsteunen (zie § 3.3.1.).
2. Verwijder de duwstang (zie §3.3.4.).
3. Neem de zit aan de voor- en achterzijde vast en trek deze naar boven.

2.5.3. De achterwielen monteren

1. Neem het achterwiel en druk naafknop (1) in.
2. Houd de naafknop ingedrukt en plaats het achterwiel in de asbus tot deze niet meer verder kan.
3. Laat de naafknop los.
4. Kijk na of het wiel goed vastzit.

2.5.4. De achterwielen demonteren

1. Zorg ervoor dat de remmen afstaan.
2. Neem de rolstoel vast aan het frame aan de zijde waar u het wiel wil afnemen.
3. Druk op de knop in het midden van de naaf van het wiel.
4. Trek het wiel van het frame weg.



2.6. Opslag

⚠ VOORZICHTIG

Gevaar voor beschadiging

- Zorg ervoor dat uw rolstoel droog wordt bewaard om schimmel of schade aan de bekleding te voorkomen, zie hoofdstuk 5..

3. Uw rolstoel gebruiken

⚠ WAARSCHUWING

Gevaar voor letsel

- Lees eerst de voorgaande hoofdstukken en informeer uzelf over het beoogde gebruik. Gebruik uw rolstoel NIET voordat u alle instructies gelezen en begrepen heeft.
- Als u nog vragen heeft of als u ergens aan twijfelt, aarzel dan niet om contact op te nemen met uw lokale vakhandelaar, zorgverlener, of technisch adviseur om u te helpen.

3.1. De remmen bedienen

⚠ VOORZICHTIG

Gevaar voor letsel

- De remmen dienen niet om af te remmen tijdens het rijden. Gebruik de rem enkel om te vermijden dat de rolstoel in stilstaande positie wegrolt.
- De werking van de handremmen worden beïnvloed door slijtage en vervuiling van de banden (water, olie, slijk, ...). Controleer voor elk gebruik de staat van de banden.
- De remmen zijn instelbaar en kunnen verouderen. Controleer voor elk gebruik de goede werking van de remmen.
- Zorg ervoor dat alvorens de remmen los te zetten, de rolstoel vlak staat. Los nooit beide remmen tegelijk.

3.1.1. Om de remmen in te schakelen:

1. Trek de remhendels naar voren tot u een duidelijke klik voelt.

3.1.2. Om de remmen los te zetten:

1. Zet eerst één rem los door de hendel naar achteren te trekken.
2. Houd het ongeremde wiel, met uw hand, vast aan de grijphoepel.
3. Herhaal dit voor het tweede wiel met parkeerrem.

3.2. Transfer in/uit de rolstoel

VOORZICHTIG

Kans op letsel of schade

- Indien u de transfer niet veilig op eigen kracht kan uitvoeren, vraag dan hulp.
- Niet op de voetplaten gaan staan.

3.2.1. Transfer

1. Plaats de rolstoel zo dicht mogelijk bij de stoel, zetel of bed van/naar waar u zich wilt verplaatsen.
2. Activeer beide parkeerremmen, zie §3.1..
3. Klap de voetplaten omhoog, of verwijder de voetsteunen (zie § 3.3.1.).
4. Indien u zich langs de zijkant in of uit de rolstoel wilt verplaatsen, verwijder dan de armsteun aan die zijde (zie § 3.3.2.).
5. Beweeg naar/uit uw rolstoel door kracht te zetten op uw armen, of met behulp van een begeleider of liftmaterieel.

3.2.2. Zitten in de rolstoel

Enkele aanbevelingen om comfortabel van uw rolstoel gebruik te maken:

- Ga zitten op de zit met uw onderrug tegen de rugsteun.
- Zorg dat uw bovenbenen horizontaal zijn. Stel eventueel de lengte van de voetsteunen bij (zie installatiehandleiding).

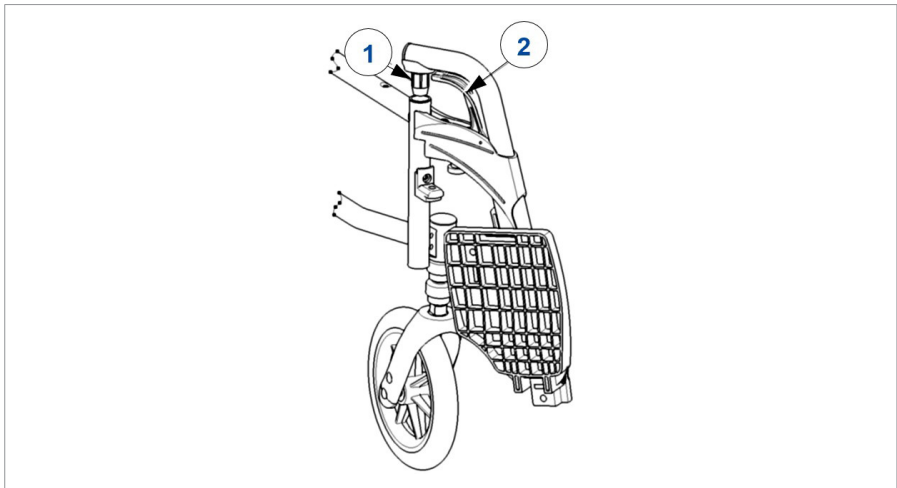
3.3. Comfortaanpassingen

⚠ VOORZICHTIG

Kans op letsel of schade

- De volgende aanpassingen voor comfort kunnen gedaan worden door de begeleider. Alle andere instellingen worden gedaan door de vakhandelaar volgens de installatiehandleiding, zie voorwoord.
- Houd steeds rekening met de draaicirkel van de voetplaat om te voorkomen dat voorbijgangers verwond raken, of dat objecten beschadigd raken.
- Zorg ervoor dat uw vingers, kledij, gespen niet geklemd raken bij het verstellen.

3.3.1. Voetsteunen plaatsen of verwijderen



3.3.1.1. De voetsteunen monteren

1. Houd de voetsteun zijdelings aan de buitenkant van het frame van de rolstoel en monteer de voetsteun met de dop (1) in het frame.
2. Zwenk de voetsteun naar binnen tot deze vastklikt.
3. Vouw de voetplaat naar beneden.

3.3.1.2. De voetsteunen verwijderen

1. Trek aan de hendel (2).
2. Draai de voetsteun naar buiten tot deze uit de geleiding komt.
3. Trek de voetsteun omhoog uit dop (1).

3.3.2. De armsteunen plaatsen of verwijderen

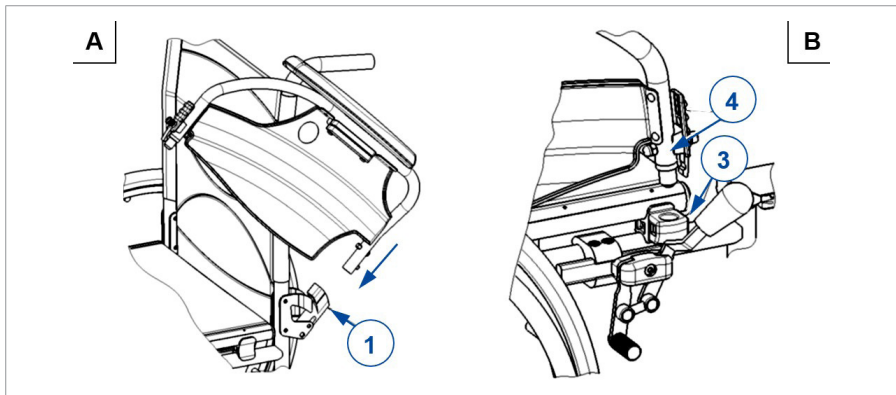
⚠ VOORZICHTIG

Gevaar voor letsel

- Houd vingers, gespen en kledingstukken weg van de onderkant van de armsteun.

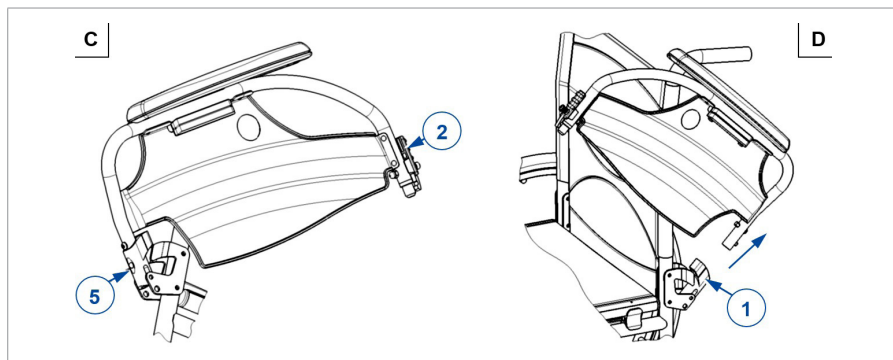
3.3.2.1. De armsteunen monteren

1. Plaats de achterzijde van de armsteun in de houder (1). (Fig A)
2. Zorg ervoor dat de armsteun vastklikt in het systeem.
3. Klap de armsteun naar voren.
4. Plaats de voorzijde van de armsteun (4) in de houder (3) tot deze vastklikt. (Afb. B)



3.3.2.2. De armsteunen openen en verwijderen

1. Druk op de hendel (2) en trek de voorzijde van de armsteun omhoog. (Fig C)
2. Klap de armsteun naar achteren.
3. U verwijdert de armsteun door op de knop (5) te drukken en de achterzijde van de armsteun uit de houder (1) te trekken. (Fig C & D)



3.3.3. De anti-tipping verstellen (indien van toepassing)

Verstel de hoogte van de anti-tipping in 7 posities als volgt (bereik 120 mm: stappen van 20 mm):

1. Zet de sterknop (1) los.
2. Beweeg de buis van de anti-tipping in de gewenste hoogte.
3. Draai de sterknop handvast aan.
4. Controleer dat de anti-tipping goed is vastgemaakt.

3.3.4. De duwstang monteren of verwijderen

⚠ WAARSCHUWING

Gevaar voor letsel

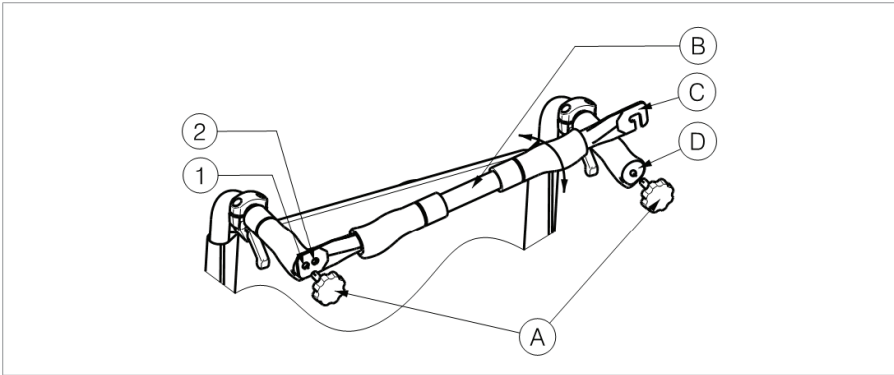
- Zorg ervoor dat de knoppen (A) terug goed zijn vastgemaakt.
- Als de rolstoel over een duwstang beschikt, dient deze altijd gemonteerd te zijn ter verhoging van de stabiliteit.

3.3.4.1. Om de duwstang te monteren

1. Monteer de duwstang (B) in de linkse handgreep met behulp van de sterknop (A) .
2. Draai de duwstang (B) naar de rechterkant.
3. Monteer de haak (C) over de rechte handgreep (D) zoals aangegeven in de figuur. Gebruik de boringen (1) of (2) om de spanning van de rug in te stellen.

3.3.4.2. Om de duwstang te verwijderen

1. Maak de sterknop (A) aan de rechtse handgreep los.
2. Verwijder de haak (C) van de rechtse handgreep (D).



3.4. Rijden met de rolstoel

- i** Afhankelijk van uw medische toestand en het type rolstoel, kan u de rolstoel zelf rijden, of deze laten duwen door een begeleider.

⚠ VOORZICHTIG

Risico voor knellen

- Vermijd dat uw vingers gekneld raken tussen de wielspaken.
- Vermijd dat uw handen gekneld raken tussen de aandrijfhoepels wanneer u door smalle doorgangen rijdt.
- Wanneer u met een begeleider rijdt, houd dan uw armen uit de buurt van de wielen, en uw voeten op de voetplaten.

⚠ VOORZICHTIG

Kans op letsel of schade

- Rijd NIET op hellingen, hindernissen, treden of stoepranden die groter zijn dan beschreven in hoofdstuk 5..
- Begeef uzelf niet in het verkeer met uw rolstoel. Blijf altijd op het voetpad.
- Bedien de aandrijfhoepels niet met natte handen.
- Pas op als de weg gaten of spleten heeft waardoor de wielen kunnen vastlopen.

- Vermijd stenen en andere objecten die de wielen kunnen blokkeren.
- Houd steeds rekening met de draaicirkel van de voetplaat om te voorkomen dat voorbijgangers verwond raken, of dat objecten beschadigd raken.
- Voor gebruik, zorg ervoor dat:
 - alle aanpassingen stevig vastzitten, zie §3.3..
 - de parkeerremmen goed werken.
 - de banden in goede staat zijn, zie §4.2.1..

3.4.1. Rijden met een begeleider

1. Zet de remmen los, of laat ze loszetten door uw begeleider, terwijl hij/zij de rolstoel vasthoudt om beweging te voorkomen, zie §3.1..
2. De begeleider houdt de handgrepen of duwstang vast en duwt de rolstoel in de gewenste richting.
3. Wanneer u gestopt bent, zet u de remmen weer vast terwijl de rolstoel op zijn plaats gehouden wordt, zie §3.1..

3.4.2. Zelf rijden

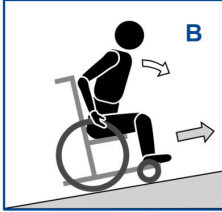
1. Zet de parkeerremmen één voor één los, zie §3.1..
2. Neem de aandrijfhoepels aan de bovenzijde vast.
3. Leun voorwaarts en duw de hoepels naar voor tot uw armen gestrekt zijn.
4. Breng uw handen terug naar de bovenzijde van de hoepels en herhaal de beweging.
5. Om te stoppen: wacht tot de rolstoel stopt en beweeg voorwaarts/achterwaarts door de aandrijfhoepels te gebruiken. Zet de parkeerremmen één voor één aan, zie §3.1..

3.4.3. Rijden op hellingen

VOORZICHTIG

Gevaar voor letsel

- Als uw begeleider te weinig kracht heeft om de rolstoel te controleren, stop dan met rijden en zet onmiddellijk de remmen vast.
- Wanneer u stopt op een (kleine) helling, gebruik dan de remmen.



1. Bevestig de veiligheidsgordel.
2. Vraag een begeleider of omstaander om u te helpen.
3. Rijd traag en in een rechte lijn. Bij het oprijden van de helling, leun lichtjes naar voor (A/B). Bij het afrijden van de helling, leun achterwaarts tegen de rug.
4. Rijd nooit achterwaarts op een helling.

3.4.4. Rampen gebruiken

⚠️ VOORZICHTIG

Kans op kantelen en vallen

- Gebruik enkel rampen die goedgekeurd werden door Vermeiren en overschrijd hun maximaal toegestane belasting niet.
 - Zorg ervoor dat de rolstoel de grond of ramp niet raakt door de kanteling.
 - Gebruik enkel rampen met hulp van een of twee begeleiders.
1. Pas de positie van de rugsteun, zit en voetsteun aan om het ingenomen volume van de rolstoel te beperken, en om de stabiliteit tijdens inclinatie te vergroten.
 2. Verwijder de voetsteunen, zie §3.3.1..
 3. Volg de instructies in §3.4.3..

3.4.5. Trappen nemen

⚠️ VOORZICHTIG

Kans op kantelen en vallen

- Trappen mogen enkel genomen worden met behulp van twee begeleiders.
- Neem geen trappen die ongepast zijn voor rolstoelen.



1. Verwijder de voetsteunen, zie §3.3.1..
2. Laat één begeleider de rolstoel lichtjes naar achteren kantelen.
3. De tweede begeleider neemt het frame van de rolstoel aan bij de kanten aan de voorzijde vast.
4. Blijf rustig zitten, vermijd plotse bewegingen en houd uw armen binnen de rolstoel.
5. Beide begeleiders tillen en duwen de rolstoel van trede naar trede op de achterwielen.
6. Na het nemen van de trap, monteert u de voetsteunen weer op hun plaats, zie §3.3.1..

3.4.6. Omgaan met hindernissen

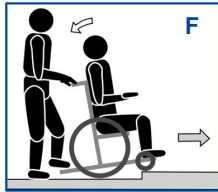
⚠ VOORZICHTIG

Kans op kantelen en vallen

- Indien u uw rolstoel onvoldoende beheerst, vraag hulp van een begeleider.
- Zorg ervoor dat de voetplaten de grond niet raken bij het nemen van een obstakel.
- Gebruik uw rolstoel niet op roltrappen.
- Indien beschikbaar, bevestig uw veiligheidsgordel.

3.4.6.1. Kleine stoepranden (op of af)

Deze kunnen voorwaarts genomen worden (E / F) met behulp van een begeleider, of door ervaren rolstoelgebruikers alleen.



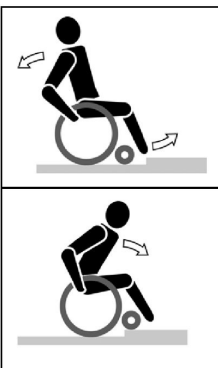
1. De begeleider beweegt de rolstoel voorwaarts naar de stoeprand. Zorg ervoor dat de voetplaten de stoeprand niet zullen raken.
2. Leun achterwaarts om de druk op de voorwielen te verminderen.
3. De begeleider houdt de handgrepen stevig vast. Indien nodig kan hij de trapdop gebruiken om de voorwielen omhoog te houden totdat ze de stoeprand voorbij zijn.
4. De begeleider vermindert de druk op de handgrepen en trapdop om de voorwielen van de rolstoel zachtjes op de grond te plaatsen.
5. Vervolgens houdt hij de handgrepen stevig vast terwijl hij de rolstoel op de achterwielen op/af de stoeprand rijdt.

Een geoefende gebruiker kan zelf kleine stoepranden voorwaarts nemen:



Afrijden:

1. Breng de balans op de achterwielen om de druk op de voorwielen te verminderen.
2. Neem de hindernis.





Oprijden

1. Rijd tot aan het trottoir.
2. Leun achterover zodat u op de achterwielen balanceert.
3. Rol al balancerend de voorwielen over het trottoir.
4. Leun voorover om meer stabiliteit te hebben.
5. Rol de achterwielen over het trottoir.

3.4.6.2. Medium stoepranden (op of af)

Deze moeten achterwaarts genomen worden met een begeleider:

	
	<ol style="list-style-type: none">1. De begeleider draait de rolstoel om zodat de achterwielen de stoeprand eerst bereiken (G/H).2. Afrijden: Leun voorwaarts (G) om uw zwaartepunt naar voor te verplaatsen. Oprijden: Leun achterwaarts (H) om uw zwaartepunt naar achter te verplaatsen.3. De begeleider trekt de rolstoel zachtjes op/af de stoeprand.

3.4.6.3. Hoge stoepranden

Hoge stoepranden, maar onder de maximaal toegestane hoogte (zie §5.), moeten genomen worden met behulp van twee begeleiders.

Afrijden:

1. Verwijder de voetsteunen.
2. De begeleider beweegt de rolstoel voorwaarts naar de stoeprand.
3. Leun achterwaarts om de druk op de voorwielen te verminderen.
4. De begeleider houdt de handgrepen stevig vast en gebruikt indien nodig de trapdop om de voorwielen omhoog te houden totdat ze de stoeprand voorbij zijn.
5. De tweede begeleider neemt het frame van de rolstoel aan de voorzijde vast en trekt de achterwielen over de stoeprand.
6. De eerste begeleider vermindert de druk op de handgrepen en trapdop om de voorwielen op de grond te plaatsen.

Oprijden

1. Verwijder de voetsteunen.
2. De eerste begeleider draait de rolstoel om zodat de achterwielen de stoeprand eerst bereiken.
3. Leun achterwaarts om uw zwaartepunt naar achter te verplaatsen.
4. De tweede begeleider neemt het frame van de rolstoel aan de voorzijde vast en trekt/duwt de achterwielen over de stoeprand. De eerste begeleider houdt de handgrepen stevig vast en tilt ze op om te voorkomen dat de rolstoel omkantelt.

4. Onderhoud

- i** Regelmatig onderhoud zorgt ervoor dat uw rolstoel in een perfect werkende staat blijft. Voor de onderhoudshandleiding kan u de website van Vermeiren raadplegen: www.vermeiren.com.

4.1. Tijdstippen voor onderhoud

⚠ VOORZICHTIG

Gevaar voor letsel of beschadiging

- Reparaties en vervangingen mogen enkel uitgevoerd worden door opgeleid personeel, en enkel originele onderdelen van Vermeiren mogen hierbij gebruikt worden.
- i** De laatste pagina van deze handleiding bevat een registratieformulier voor de vakhandelaar om elke service te registreren. De onderhoudsfrequentie hangt af van de frequentie en intensiteit van gebruik. Neem contact op met uw vakhandelaar om een tijdschema vast te leggen voor nazicht/onderhoud/repairatie.

4.1.1. Voor ieder gebruik

Kijk de volgende punten na:

- Alle onderdelen: aanwezig en niet beschadigd of versleten.
- Alle onderdelen: schoon, zie § 4.2.2..
- Wielen, rugsteun, zit, kuitsteunen, armsteunen, voetplaten: stevig bevestigd.
- Staat van de wielen, zie § 4.2.1..
- Staat van de frameonderdelen: geen vervorming, instabiliteit, zwakte of losse verbindingen.
- Zit, rugsteun, armleggers, kuitsteunen en hoofdsteun (indien van toepassing): geen overmatige slijtage (bijv. gedeukte plekken, schade of scheuren).
- Remmen: onbeschadigd en werkend

Contacteer uw vakhandelaar voor eventuele reparaties of vervanging van onderdelen.

4.1.2. Jaarlijks of vaker

Laat uw rolstoel nakijken en onderhouden door uw vakhandelaar, ten minste één keer per jaar of vaker. De minimale onderhoudsfrequentie is afhankelijk van het gebruik en moet daarom besproken worden met uw vakhandelaar.

4.1.3. Bij opslag

Zorg ervoor dat uw rolstoel droog wordt bewaard om schimmel of schade aan de bekleding te voorkomen, zie hoofdstuk 5..

4.2. Onderhoudsinstructies

4.2.1. Wielen en banden

- i** De goede werking van de remmen hangt af van de staat van de banden, die onderhevig zijn aan slijtage en verontreiniging (water, olie, modder,...).

Houd de wielen vrij van draden, haar, zand en vezels.

Kijk het profiel van de banden na. Als de profieldiepte minder dan 1 mm bedraagt, moeten de banden vervangen worden. Contacteer hiervoor uw vakhandelaar.

Pomp de banden op volgens de correcte spanning (zie drukindicatie op de banden).

Instructies voor het vervangen van de banden kan u terugvinden in de installatiehandleiding.

4.2.2. Schoonmaak

⚠ VOORZICHTIG

Gevaar voor beschadiging door vocht

- Gebruik nooit een tuinslang of hogedrukreiniger om de rolstoel schoon te maken.

Veeg alle harde onderdelen schoon met een vochtig doek (niet doorweekt). Indien nodig, gebruik een milde zeep die geschikt is voor vernis en synthetische materialen.

De bekleding kan schoon worden gemaakt met lauw water en een milde zeep. Gebruik geen agressieve schoonmaakmiddelen.

4.2.3. Ontsmetting

VOORZICHTIG

Gevaar voor beschadiging

- Ontsmetting mag enkel worden uitgevoerd door getraind personeel. Neem contact op met uw vakhandelaar.

4.3. Probleemoplossing

Ook wanneer u de rolstoel correct gebruikt, is het toch mogelijk dat er een technisch probleem optreedt. Neem in dat geval contact op met uw vakhandelaar.

WAARSCHUWING

Gevaar voor letsel of beschadiging

- Probeer NOOIT zelf uw rolstoel te repareren.

De volgende tekenen kunnen wijzen op een ernstig probleem. Neem daarom steeds contact op met uw vakhandelaar als u een van de volgende afwijkingen opmerkt:

- Vreemde geluiden;
- Oneven bandenslijtage op een van de banden;
- Schokkerige bewegingen;
- De rolstoel buigt af naar één kant;
- Beschadigde of kapotte wielmontages.

4.4. Verwachte levensduur

De rolstoel is ontworpen voor een gemiddelde levensduur van 5 jaar. De levensduur zal toenemen of afnemen afhankelijk van de gebruiksfrequentie, rijomstandigheden en onderhoud.

4.5. Hergebruik

Voor ieder hergebruik moet de rolstoel ontsmet, geïnspecteerd en onderhouden worden volgens de instructies in § 4.1. en § 4.2..

4.6. Beëindiging van gebruik

Op het einde van de levensduur moet u de rolstoel vernietigen volgens de lokale milieuwetgeving. De beste manier om dit te doen, is de rolstoel te demonteren om het vervoer van de recycleerbare onderdelen te vergemakkelijken.

4.7. Garantie

De garantie op dit product is onderhevig aan de algemene voorwaarden van ieder land.

5. Technische specificaties

Onderstaande technische gegevens zijn enkel geldig voor deze rolstoel, bij standaardinstellingen en optimale omgevingsfactoren. Houd bij gebruik rekening met deze details. Deze waarden zijn niet meer van toepassing als uw stoel werd gewijzigd, of wanneer het beschadigd of ernstig versleten is.

Merk	Vermeiren
Productgroep	Manuele rolstoel
Type	V300 XL
Beschrijving	Afmetingen
Max. gebruikersgewicht	170 kg
Totale lengte	1085 mm
Totale breedte	740 mm 770 mm 810 mm
Totale hoogte	840 mm - 930 mm
Totaal gewicht	21 kg
Gewicht zwaarste onderdeel	13,35 kg
Massa van afneembare onderdelen	1,75 kg
Voetsteunen	1,8 kg
Armsteunen	4,05 kg
Achterwielen	
Statische stabiliteit bergaf	6,5°
Statische stabiliteit bergop	6,5°
Statische stabiliteit zijwaarts	18°
Zithoek	0° - 10°
Effectieve zitdiepte	490 mm 510 mm 530 mm 550 mm
Effectieve zitbreedte	530 mm 560 mm 600 mm
Zithoogte aan voorzijde	440 mm - 530 mm
Rughoek	5°
We behouden ons het recht voor om technische wijzigingen te introduceren. Meettolerantie +- 15 mm / 1,5 kg / 1,5°	

Merk	Vermeiren
Productgroep	Manuele rolstoel
Type	V300 XL
Beschrijving	Afmetingen
Rughoogte	400 mm
Afstand tussen voetplaat en zit	400 mm - 500 mm
Hoek been tot zit	105°
Hoek van de voetplaat	80°
Afstand tussen armlegger en zit	220 mm - 240 mm
Afstand voorzijde armlegger	410 mm
Horizontale afstand van de as (uitwijking)	1,27 mm - 61,04 mm
Minimale draaicirkel	1500 mm
Diameter achterwielen	22" 24"
Bandendruk achterwielen	Max. 3,5 bar
Diameter voorwielen	200 mm
Bandendruk voorwielen	Max. 2,5 bar
Gebruikstemperatuur	+5°C - +41°C
Opslag en gebruiksluchtvochtigheid	30% - 70%
We behouden ons het recht voor om technische wijzigingen te introduceren. Meettolerantie +/- 15 mm / 1,5 kg / 1,5°	

Inhalt

Vorwort	85
1. Ihr Produkt	87
1.1. Optionen	88
2. Vor der Benutzung	88
2.1. Bestimmungsgemäße Verwendung und Indikationen	88
2.2. Sicherheitshinweise und mögliche Risiken	89
2.3. Symbole am Rollstuhl	90
2.4. Transport	91
2.5. Falten / Entfalten	92
2.6. Lagerung	93
3. Benutzung des Rollstuhls	93
3.1. Betätigen der Bremsen	94
3.2. Einsteigen in den Rollstuhl / Aussteigen aus dem Rollstuhl	94
3.3. Komforteinstellungen	95
3.4. Fahren mit dem Rollstuhl	99
4. Wartung	106
4.1. Wartungspunkte	106
4.2. Wartungshinweise	107
4.3. Störungsbeseitigung	108
4.4. Voraussichtliche Nutzungsdauer	109
4.5. Wiederbenutzung	109
4.6. Nutzungsende	109
4.7. Garantie	109
5. Technische Daten	110

Herzlichen Glückwunsch! Sie sind nun Besitzer eines Vermeiren-Rollstuhls!

Dieser Rollstuhl wurde von versierten und engagierten Mitarbeitern gefertigt. Es entspricht hinsichtlich Konstruktion und Fertigung den hohen Qualitätsstandards von Vermeiren.

Vielen Dank für Ihr Vertrauen in Produkte von Vermeiren. Dieses Handbuch soll Ihnen bei der Benutzung dieses Rollstuhls und seiner Bedienmöglichkeiten helfen. Lesen Sie es daher bitte aufmerksam durch, um sich mit der Bedienung, den Fähigkeiten und Beschränkungen Ihres Rollstuhls vertraut zu machen.

Sollten Sie nach der Lektüre dieses Handbuchs noch Fragen haben, können Sie sich jederzeit an Ihren Fachhändler wenden. Er wird Ihnen gerne in dieser Angelegenheit weiterhelfen.

Wichtiger Hinweis

Um Ihre Sicherheit zu gewährleisten und die Nutzungsdauer Ihres Produkts zu verlängern, sollten Sie es gut behandeln und regelmäßig überprüfen und/oder warten lassen.





Dieses Handbuch enthält die neuesten Produktentwicklungen. Vermeiren behält sich das Recht vor, Veränderungen an dieser Art von Produkt vorzunehmen, ohne eine Verpflichtung einzugehen, ähnliche bereits ausgelieferte Produkte anzupassen oder auszutauschen.

Abbildungen des Produkts dienen zur Verdeutlichung der Anweisungen in diesem Handbuch. Das gezeigte Produkt kann in Details von Ihrem Produkt abweichen.

Verfügbare Informationen

Auf unserer Webseite <http://www.vermeiren.com/> finden Sie stets die aktuellste Version der in diesem Handbuch beschriebenen Informationen. Informieren Sie sich bitte regelmäßig auf dieser Website nach eventuell verfügbaren Aktualisierungen.

Sehbehinderte Menschen können sich die elektronische Version dieses Handbuchs herunterladen und mit Hilfe einer Sprachsyntheselösung („Text-to-Speech-Software“) vorlesen lassen.

	Bedienungsanleitung Für Benutzer und Fachhändler
	Montageanleitung Für Fachhändler
	Servicehandbuch für Rollstühle Für Fachhändler
	EG-Konformitätserklärung

1. Ihr Produkt

DE



1. Handgriffe
2. Schiebestange
3. Rücken
4. Armpolster
5. Armlehnen
6. Sitz
7. Fußauflagen
8. Fußplatte
9. Vorderräder
10. Bremsen
11. Hinterräder
12. Greifreifen
13. Kipphilfe
14. Schere
15. Typenschild

1.1. Optionen

Was die möglichen Optionen betrifft, wenden Sie sich bitte an Ihren Fachhändler. Er berät Sie gern.

2. Vor der Benutzung

2.1. Bestimmungsgemäße Verwendung und Indikationen

- Dieses Produkt ist ein Medizinprodukt.
- Indikationen und Kontraindikationen: Der Rollstuhl kann selbst angetrieben oder von einer Begleitperson geschoben werden. Der Rollstuhl ist für ältere oder gehbehinderte oder gehunfähige Menschen vorgesehen, die eine größere Sitzbreite als 50 cm und/oder ein höheres Benutzergewicht benötigen. Sie dürfen diesen Rollstuhl NICHT benutzen, wenn Sie unter seelischen oder körperlichen Beeinträchtigungen leiden, die Sie oder andere Personen beim Fahren des Rollstuhls in Gefahr bringen könnten. Suchen Sie daher bitte zunächst Ihren Arzt auf und stellen Sie sicher, dass Ihr Fachhändler über dessen Rat informiert ist.
- Dieser Rollstuhl ist für den Innen- und Außenbereich geeignet.
- Er ist ausschließlich dafür konzipiert und gefertigt, eine (1) Person mit einem Gewicht von maximal 170 kg zu transportieren. Er ist nicht dafür vorgesehen, Sachen oder Objekte zu transportieren oder zu anderen Zwecken als zuvor beschrieben benutzt zu werden.
- Verwenden Sie ausschließlich von Vermeiren genehmigte Zubehör- oder Ersatzteile.
- Sehen Sie sich auch die technischen Daten und die Einschränkungen Ihres Rollstuhls in Abschnitt 5. an.
- Die Garantie für dieses Produkt beruht auf dessen normaler Benutzung und Wartung wie in diesem Handbuch beschrieben. Schäden an Ihrem Produkt, die auf unsachgemäße Benutzung oder mangelnde Wartung zurückzuführen sind, führen zum Erlöschen der Garantie.

2.2. Sicherheitshinweise und mögliche Risiken

VORSICHT

Gefahr von Personen- und/oder Sachschäden

- Bitte lesen und befolgen Sie die Anweisungen in dieser Bedienungsanleitung, da andernfalls Verletzungsgefahr besteht oder Ihr Rollstuhl beschädigt werden könnte.














Beachten Sie bei der Benutzung die folgenden allgemeinen Warnhinweise:

- Benutzen Sie Ihren Rollstuhl nicht, wenn Sie unter dem Einfluss von Alkohol, Medikamenten oder anderen Substanzen stehen, die Ihre Fahrtüchtigkeit beeinträchtigen könnten.
- Beachten Sie, dass bestimmte Teile dieses Rollstuhls infolge der Umgebungstemperatur, Sonneneinstrahlung, Heizkörpern usw. sehr warm oder sehr kalt werden können. Seien Sie daher vorsichtig beim Berühren. Tragen Sie bei kaltem Wetter Schutzbekleidung. Wenn Sie sich im Freien aufhalten, können Reithandschuhe verwendet werden, um den Griff an den Handrändern zu verbessern.
- Nehmen Sie keinerlei Veränderungen an Ihrem Produkt vor.
- Wenn die Verpackung Ihres Produkts bei der Lieferung beschädigt, (unbeabsichtigt) geöffnet oder durch Umwelteinflüsse (Feuchtigkeit, Hitze,...) beeinträchtigt wurde, überprüfen Sie bitte die Unversehrtheit Ihres Produkts. Im Zweifelsfall wenden Sie sich bitte an Ihren Fachhändler.

Bitte beachten sie, dass Ihr Rollstuhl je nach den verwendeten Einstellungen einige Arten von Diebstahlsicherungssystemen beeinträchtigen kann. Dies kann dazu führen, dass der Sicherungsalarm des Shops ausgelöst wird.

Jeder schwerwiegende Zwischenfall [MDR (EU) 2017/745 §2 (65)], der im Zusammenhang mit dem Gerät aufgetreten ist, sollte dem Hersteller und der zuständigen Behörde des Mitgliedstaats, in dem der Anwender und/oder Patient niedergelassen ist, gemeldet werden.

2.3. Symbole am Rollstuhl

	Typbezeichnung
	Katalognummer
	Seriennummer
	Medizinprodukt
	Hersteller
	Produktionsdatum
	Konformitätserklärung
	Achtung: wichtige Informationen
	Bitte Bedienungsanleitung beachten
	Einklemmgefahr
	Maximalgewicht des Benutzers (in kg)
	Crash-geprüftes Produkt ; kann als Sitz in einem Fahrzeug verwendet werden
	Nicht zur Verwendung als Sitz in einem Kraftfahrzeug bestimmt
	Kann als Sitz in einem Fahrzeug verwendet werden; Befestigungspunkte für die Verwendung in einem Kraftfahrzeug

2.4. Transport

2.4.1. Transport in einem Fahrzeug (als Gepäck)

⚠️ WARNUNG

Verletzungsgefahr

- Benutzen Sie Ihren Rollstuhl NICHT als Sitz in einem Fahrzeug, siehe nächstes Symbol.



- Achten Sie darauf, den Rollstuhl ordnungsgemäß zu befestigen. So vermeiden Sie Verletzungen der Fahrzeuginsassen bei einer Kollision oder einem plötzlichen Bremsmanöver.
 - Verwenden Sie zum Sichern des Rollstuhls und des Fahrzeuginsassens NIEMALS den gleichen Sicherheitsgurt.
1. Entfernen Sie die Fußauflagen und Armlehnen sowie das Zubehör an einem Ort auf.
 2. Bewahren Sie die Fußauflagen und Armlehnen sowie das Zubehör an einem sicheren Ort auf.
 3. Wenn möglich, klappen Sie den Rollstuhl zusammen und bauen Sie die Hinterräder ab.
 4. Transportieren Sie den Rollstuhl nach Möglichkeit im Kofferraum oder Gepäckraum.
 5. Wenn der Gepäckraum und der Fahrgastraum NICHT voneinander getrennt sind, befestigen Sie den Rahmen des Rollstuhls sicher am Fahrzeug. Sie können hierzu verfügbare Sicherheitsgurte im Fahrzeug verwenden.

2.5. Falten / Entfalten

VORSICHT

Verletzungsgefahr

- Achten Sie darauf, dass Ihre Finger nicht zwischen die Rollstuhlkomponenten gelangen.

2.5.1. Auseinanderklappen des Rollstuhl

1. Stellen Sie sich auf die Rückseite des Rollstuhls.
2. Nutzen Sie die Handgriffe, um den Rollstuhl so weit wie möglich zu öffnen.
3. Stellen Sie sich auf die Vorderseite des Rollstuhls.
4. Drücken Sie die beiden Holme, an denen der Sitz befestigt ist, weiter nach unten.
5. Montieren Sie die Schiebestange (siehe §3.3.4.).

2.5.2. Zusammenklappen des Rollstuhls

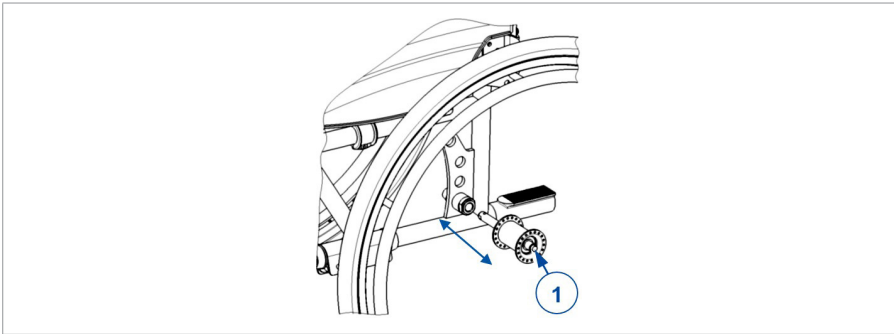
1. Klappen Sie die Fußplatten hoch oder nehmen Sie die Beinstützen ab (siehe § 3.3.1.).
2. Entfernen Sie die Schiebestange (siehe §3.3.4.).
3. Fassen Sie den Sitz an der Vorder- und Hinterseite an, und ziehen Sie ihn nach oben.

2.5.3. Montage der Hinterräder

1. Nehmen Sie das Hinterrad in die Hand und drücken Sie auf den Arretierstift (1).
2. Halten Sie den Arretierstift gedrückt und schieben Sie das Hinterrad bis zum Anschlag auf die Achse.
3. Lassen Sie den Arretierstift los.
4. Prüfen Sie, ob die Räder sicher auf der Achse sitzen.

2.5.4. Abnehmen der Hinterräder

1. Stellen Sie sicher, dass die Bremsen gelöst sind.
2. Drehen Sie die Seite des Rollstuhls zu sich, an der Sie das Rad abnehmen möchten.
3. Drücken Sie den Arretierstift in der Mitte der Radnabe.
4. Ziehen Sie das Rad vom Rahmen ab.



2.6. Lagerung

⚠ VORSICHT

Beschädigungsgefahr

- Stellen Sie sicher, dass Ihr Rollstuhl in einer trockenen Umgebung gelagert wird, um Schimmelbildung und die Beschädigung der Polsterung zu vermeiden, siehe auch Kapitel 5..

3. Benutzung des Rollstuhls

⚠ WARNUNG

Verletzungsgefahr

- Lesen Sie bitte zunächst die vorhergehenden Abschnitte, um sich über die Benutzungsbedingungen zu informieren. Benutzen Sie den Rollstuhl NICHT, bevor Sie alle Anweisungen aufmerksam gelesen und vollständig verstanden haben.
- Bei Zweifeln oder Fragen wenden Sie sich bitte zwecks Hilfe an Ihren Fachhändler, Pflegedienst oder Fachberater.

3.1. Betätigen der Bremsen

VORSICHT

Verletzungsgefahr

- Die Bremsen dienen nicht dazu, die Bewegung des Rollstuhls abzubremsen. Sie dienen ausschließlich dazu, unbeabsichtigte Bewegungen des Rollstuhls zu verhindern.
- Die ordnungsgemäße Funktion der Bremsen kann durch Verschleiß oder Schmutz (auch Wasser, Öl, Schlamm usw.) beeinträchtigt werden. Überprüfen Sie daher vor jeder Rollstuhlnutzung den Zustand der Reifen.
- Die Bremsen sind einstellbar und können verschleifen. Überprüfen Sie daher vor jeder Rollstuhlnutzung den Zustand der Bremsen.
- Achten Sie darauf, dass der Rollstuhl auf einer flachen, horizontalen Fläche steht, bevor Sie die Bremsen lösen. Lösen Sie niemals beide Bremsen gleichzeitig.

3.1.1. Betätigen der Bremsen:

1. Drücken Sie die Bremshebel nach vorn, bis sie ein deutliches Klicken fühlen.

3.1.2. So lösen Sie die Bremsen:

1. Lösen Sie eine Bremse, indem Sie den Griff nach hinten ziehen.
2. Fassen Sie den Greifreifen des Rads mit der gelösten Bremse mit Ihrer Hand.
3. Wiederholen Sie dies für das zweite Rad und die Feststellbremse.

3.2. Einsteigen in den Rollstuhl / Aussteigen aus dem Rollstuhl

VORSICHT

Gefahr von Personen- oder Sachschäden

- Falls Sie sich nicht sicher versetzen können, bitten Sie jemanden um Hilfe.
- Stellen Sie sich nicht auf die Fußplatten.

3.2.1. Transfer

1. Positionieren Sie den Rollstuhl so nah wie möglich an den Stuhl, die Couch oder das Bett, zu dem bzw. von dem das Umsetzen vorgenommen werden soll.
2. Betätigen Sie beide Feststellbremsen, siehe Abschnitt **3.1.**
3. Klappen Sie die Fußplatten hoch oder nehmen Sie die Beinstützen ab (siehe **§ 3.3.1.**).
4. Wenn Sie sich von der Seite in den Rollstuhl setzen, entfernen Sie die Armlehne an der entsprechenden Seite (Siehe **§ 3.3.2.**).
5. Bewegen Sie sich aus eigener Kraft mit den Armen oder mit Hilfe von Dritten in den Rollstuhl hinein oder aus ihm heraus.

3.2.2. Sitzen im Rollstuhl

Einige Empfehlungen für die komfortable Verwendung des Rollstuhls:

- Setzen Sie sich so hin, dass Ihr unterer Lendenbereich an der Rückenlehne anliegt
- Achten Sie darauf, dass Ihre Oberschenkel möglichst horizontal stehen. Gegebenenfalls müssen Sie die Länge der Beinstützen einstellen (siehe Installationsanleitung).

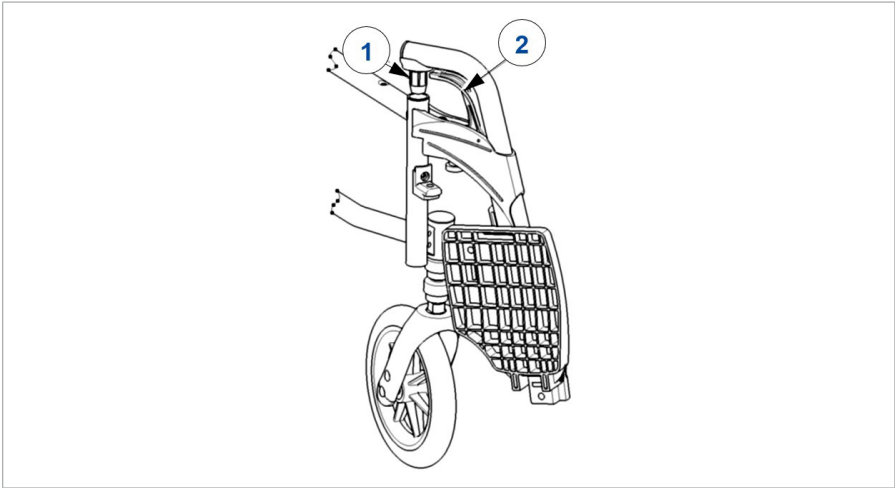
3.3. Komforteinstellungen

VORSICHT

Gefahr von Personen- oder Sachschäden

- Die folgenden Komforteinstellungen können vom Begleit- oder Pflegepersonal vorgenommen werden. Alle sonstigen Einstellungen sind vom Fachhändler gemäß den Montageanweisungen vorzunehmen (siehe Vorwort).
- Berücksichtigen Sie stets den Schwenkbereich der Fußplatte, um keine Passanten zu verletzen oder Gegenstände zu beschädigen.
- Achten Sie bei Einstellungen am Rollstuhl darauf, dass Finger, Kleidung oder Schnallen nicht von beweglichen Teilen erfasst werden.

3.3.1. An- oder Abbauen der Fußauflagen



3.3.1.1. Montieren der Fußstützen

1. Halten Sie die Fußauflage seitlich an die Außenseite des Rollstuhlrahmens und stecken Sie den Zapfen (1) in den Rahmen.
2. Drehen Sie die Fußauflage nach innen bis diese einrasten.
3. Drücken Sie die Fußplatte nach unten.

3.3.1.2. Abbauen der Fußstützen

1. Ziehen Sie den Hebel (2).
2. Schwenken Sie die Fußauflage an die Außenseite des Rollstuhls, bis sie sich aus der Führung löst.
3. Ziehen Sie die Fußauflage mit dem Zapfen aus dem Rahmen (1).

3.3.2. An-/Abbauender Armlehnen

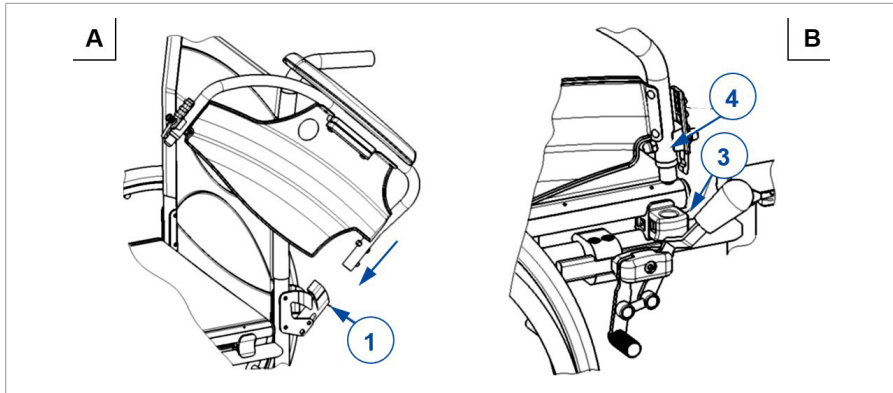
⚠ VORSICHT

Verletzungsgefahr

- Halten Sie Finger, Schnallen und Kleidung fern von der Unterseite der Armauflage.

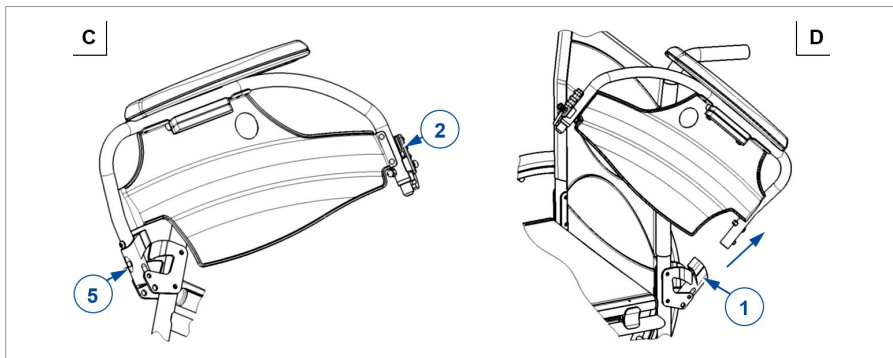
3.3.2.1. Befestigen der Armlehnen

1. Schieben Sie das hintere Rohr der Armauflage in die Rohraufnahme (1). (Abb. A)
2. Stellen Sie sicher, dass die Armauflage vollständig in den Verriegelungsmechanismus einrastet.
3. Klappen Sie die Armauflage nach vorne.
4. Schieben Sie das vordere Rohr der Armauflage (4) in die Rohraufnahme (3). (Abb. B)



3.3.2.2. Armlehnen aufklappen und abbauen

1. Drücken Sie den Hebel (2) und ziehen Sie die Vorderseite der Armauflage nach oben. (Abb. C)
2. Klappen Sie die Armauflage nach hinten.
3. Um die Armlehne abzunehmen, drücken Sie die Taste (5) und ziehen Sie die Armlehne aus der hinteren Armlehnenaufnahme (1). (Abb. C & D)



3.3.3. Verstellung Kippschutz (falls zutreffend)

Die Höhe der Kippschutz wird wie folgt in 7 Positionen eingestellt (Bereich 120 mm: Schritte von 20 mm):

1. Lösen Sie den Sterngriff (1) .
2. Schieben Sie das Kippschutz in die gewünschte Position.
3. Ziehen Sie das Sternrad wieder fest.
4. Prüfen Sie, ob der Kippschutz fest eingerastet ist.

3.3.4. Montieren oder Abbauen der Schiebestange

WARNUNG

Verletzungsgefahr

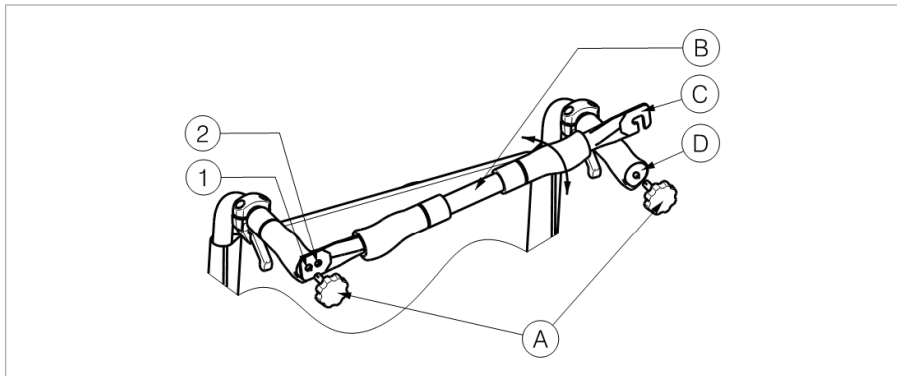
- Stellen Sie sicher, dass die Sternräder (A) fest sitzen.
- Wenn der Rollstuhl über eine Schiebestange verfügt, muss diese immer montiert werden zur Erhöhung der Stabilität.

3.3.4.1. So montieren Sie die Schiebestange

1. Setzen Sie die Schiebestange (B) mit dem Sterngriff (A) in den linken Handgriff.
2. Drehen Sie die Schiebestange (B) nach rechts.
3. Setzen Sie die Aufhängung (C) über den rechten Handgriff (D) wie in der Zeichnung angegeben. Nutzen Sie die Lochungen (1) oder (2) für unterschiedliche Spannung in der Rückenlehne.

3.3.4.2. So bauen Sie die Schiebestange ab

1. Lösen Sie die Sterngriff (A) am rechten Handgriff.
2. Entfernen Sie die Aufhängung (C) vom rechten Handgriff (D).



3.4. Fahren mit dem Rollstuhl

- i** Abhängig von Ihrem Gesundheitszustand und Ihrem Rollstuhl können Sie den Rollstuhl selbst fahren oder von einer Begleitperson schieben lassen.

⚠ VORSICHT

Einklemmgefahr

- Verhindern Sie, dass Ihre Finger von den Radspeichen erfasst werden.
- Verhindern Sie das Einklemmen Ihrer Hände an den Greifringen, wenn Sie schmale Passagen passieren.
- Halten Sie Ihre Arme beim Fahren mit einer Begleitperson von den Rädern fern und die Füße auf den Fußplatten.

⚠ VORSICHT

Gefahr von Personen- oder Sachschäden

- Fahren Sie NICHT auf Steigungen, Hindernissen, Stufen oder Bordsteinen, die größer sind als in Kapitel 5..
- Begeben Sie sich mit Ihrem Rollstuhl nicht in den fließenden Verkehr. Bleiben Sie auf dem Fußweg.
- Fassen Sie die Greifringe nicht mit nassen Händen an.
- Achten Sie darauf, wenn die Straße Löcher oder Lücken aufweist, die zum Einschluss der Räder führen können.
- Vermeiden Sie Steine und andere Gegenstände, die die Räder blockieren könnten.

- Berücksichtigen Sie stets den Schwenkbereich der Fußplatte, um keine Passanten zu verletzen oder Gegenstände zu beschädigen.
- Achten Sie vor jeder Benutzung auf Folgendes:
 - Alle Teile sind ordnungsgemäß gesichert, siehe Abschnitt **3.3.**
 - Die Feststellbremsen funktionieren einwandfrei.
 - Reifen sind in gutem Zustand, siehe Abschnitt **4.2.1.**

3.4.1. Mit einer Begleitperson fahren

1. Lösen Sie die Bremsen oder lassen Sie sie von der Begleitperson lösen, während Sie den Rollstuhl halten, um eine Bewegung zu verhindern, siehe Abschnitt **3.1.**
2. Die Begleitperson fasst die Handgriffe oder die Schieberstange an, um den Rollstuhl in die gewünschte Richtung zu schieben.
3. Betätigen Sie nach dem Anhalten die Bremsen, während Sie den Rollstuhl am Platz halten, siehe Abschnitt **3.1.**

3.4.2. Selbst fahren

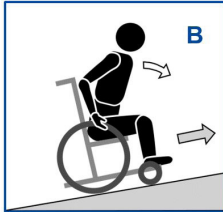
1. Lösen Sie nacheinander die Feststellbremsen, siehe Abschnitt **3.1.**
2. Bewegen Sie Ihre Hände an beiden Griffingen in die höchste Position.
3. Lehnen Sie sich nach vorne und drücken Sie die Greifringe nach vorne, bis Ihre Arme gerade sind.
4. Schwenken Sie die Arme locker zur Oberseite der Griffinge und wiederholen Sie die Schubbewegung.
5. Anhalten: Warten Sie, bis der Rollstuhl anhält, und bewegen Sie die Griffinge nach vorne/hinten. Ziehen Sie nacheinander die Feststellbremsen an, siehe Abschnitt **3.1.**

3.4.3. Auf Gefälle fahren

VORSICHT

Verletzungsgefahr

- Wenn die Begleitperson zu wenig Kraft hat, um den Rollstuhl zu steuern, stoppen Sie die Fahrt und bremsen Sie sofort.
- Wenn Sie auf einem (kleinen) Hang stehen bleiben, benutzen Sie die Bremsen.



1. Sichern Sie sich im Rollstuhl mit einem Sicherheitsgurt.
2. Bitten Sie einen Begleiter oder einen Zuschauer, Ihnen zu helfen.
3. Fahren Sie langsam und geradeaus. Lehnen Sie sich leicht nach vorne (A/B), wenn Sie den Hang hinauffahren. Lehnen Sie sich nach hinten gegen die Rückenlehne, wenn Sie den Hang hinunter fahren.
4. Wenden Sie niemals an einer Steigung.

3.4.4. Rampen verwenden

⚠ VORSICHT

Kipprisiko

- Benutzen Sie ausschließlich von Vermeiren zugelassene Rampen und überschreiten Sie nie deren Maximalbelastung.
 - Stellen Sie sicher, dass der Rollstuhl aufgrund seiner Neigung nicht den Boden oder die Rampe berührt.
 - Überwinden Sie Rampen nur mit Hilfe von ein oder zwei Begleitpersonen.
1. Passen Sie die Position der Rückenlehne, des Sitzes und der Fußstütze an, um die Größe des Rollstuhls zu verringern und die Stabilität während der Neigung zu erhöhen.
 2. Nehmen Sie die Fußstützen ab, siehe Abschnitt **3.3.1.**
 3. Folgen Sie den Anweisungen in Abschnitt **3.4.3.**

3.4.5. Treppen benutzen

⚠ VORSICHT

Kipprisiko

- Treppen sollten immer mit Hilfe von zwei Begleitpersonen verhandelt werden.
- Versuchen Sie niemals Treppen zu benutzen, die nicht für Rollstühle geeignet sind.



1. Nehmen Sie die Fußstützen ab, siehe Abschnitt **3.3.1.**
2. Eine Begleitperson kippt den Rollstuhl an den Griffen leicht nach hinten.
3. Die zweite Begleitperson greift den Rollstuhl vorne am Rahmen, auf beiden Seiten des Rollstuhls.
4. Bleiben Sie ruhig, vermeiden Sie plötzliche Bewegungen und halten Sie die Arme im Rollstuhl.
5. Beide Betreuer heben und ziehen den Rollstuhl von Stufe zu Stufe, während die Hinterräder über die Stufen rollen.
6. Montieren Sie die Fußstützen wieder nach dem Treppensteigen, siehe Kapitel **3.3.1.**

3.4.6. Bewältigen von Hindernissen

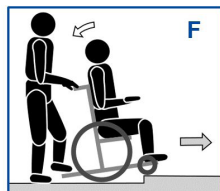
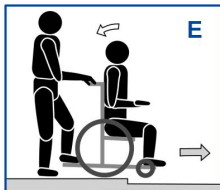
⚠ VORSICHT

Kipprisiko

- Wenn Sie nicht genug Erfahrung mit dem Rollstuhl haben, bitten Sie einen Begleiter um Hilfe.
- Stellen Sie sicher, dass die Fußplatten nicht den Boden berühren, wenn Sie ein Hindernis nehmen.
- Verwenden Sie Ihren Rollstuhl nicht auf einer Rolltreppe.
- Falls vorhanden, tragen Sie Ihren Sicherheitsgurt.

3.4.6.1. Kleine Bordsteine (nach oben oder unten)

Diese können mit einer Begleitperson vorwärts genommen werden (E/F), oder alleine von geübten Rollstuhlfahrern.



1. Die Begleitperson bewegt den Rollstuhl vorwärts und nähert sich dem Bordstein. Dabei dürfen die Fußplatten den Bordstein nicht berühren.
2. Lehnen Sie sich nach hinten, um den Druck auf die Vorderräder zu reduzieren.
3. Die Begleitperson hält die Griffe fest, während sie sich vorwärts bewegt. Bei Bedarf verwendet sie die Kippkappen, um die Vorderräder anzuheben, bis sie die Bordsteinkante passiert haben.
4. Die Begleitperson löst den Druck auf die Griffe und die Kippkappe, um die Vorderräder sanft auf den Boden zu legen.
5. Als nächstes hält sie die Griffe fest, während sie den Rollstuhl mit den Hinterrädern nach oben/unten schiebt.

Ein geübter Benutzer kann kleine Bordsteine selbst nach vorne hinunterfahren:



Abstieg:

1. Verlagern Sie das Gewicht auf die Hinterräder, um die Vorderräder zu entlasten.
2. Fahren Sie den Bordstein hinunter.

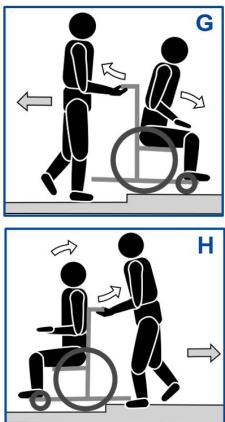


Aufstieg:

1. Fahren Sie bis an den Bordstein heran.
2. Lehnen Sie sich nach hinten, um den Schwerpunkt auf die Hinterräder zu verlagern.
3. Rollen Sie die Vorderräder vorsichtig über den Bordstein.
4. Lehnen Sie sich nach vorn, um mehr Stabilität zu erhalten.
5. Rollen Sie die Hinterräder über den Bordstein.

3.4.6.2. Mittlere Bordsteine (nach oben oder unten)

Diese sollten mit einer Begleitperson rückwärts genommen werden:



1. Die Begleitperson dreht den Rollstuhl so um, dass sich die Hinterräder zuerst der Bordkante nähern (G/H).
2. Abstieg: Lehnen Sie sich nach vorne (G), um Ihren Schwerpunkt nach vorne zu bewegen.
Aufstieg: Lehnen Sie sich nach hinten (H), um Ihren Schwerpunkt nach hinten zu bewegen.
3. Die Begleitperson zieht den Rollstuhl sanft von der/auf die Bordsteinkante.

3.4.6.3. Höhere Bordsteine

Höhere Bordsteine, aber unter der Maximalgröße, siehe Abschnitt 5., sollten mit Hilfe von zwei Begleitpersonen genommen werden.

Abstieg:

1. Entfernen Sie die Fußstützen.
2. Die Begleitperson bewegt den Rollstuhl vorwärts und nähert sich dem Bordstein.
3. Lehnen Sie sich nach hinten, um den Druck auf die Vorderräder zu reduzieren.
4. Die Begleitperson hält die Griffe fest und hält die Vorderräder mit der Kippkappe hoch, bis sie die Bordsteinkante passiert haben.
5. Die zweite Begleitperson greift die Vorderseite des Rahmens und bewegt sich rückwärts, während sie die Hinterräder über den Bordstein herunter zieht.
6. Die Begleitperson löst den Druck auf die Griffe und die Kippkappe, um die Vorderräder sanft auf den Boden zu legen.

Aufstieg:

1. Entfernen Sie die Fußstützen.
2. Die erste Begleitperson wendet den Rollstuhl, so dass sich die Hinterräder zuerst dem Bordstein nähern.
3. Lehnen Sie sich nach hinten, um Ihren Schwerpunkt nach hinten zu bewegen.
4. Die zweite Begleitperson greift die Vorderseite des Rahmens und bewegt sich vorwärts, während die Hinterräder an den Bordstein gezogen/gedrückt werden. Die erste Begleitperson hebt an und hält die Griffe fest, um ein Umkippen des Rollstuhls zu verhindern.

4. Wartung

- i** Bei regelmäßiger Pflege wird Ihr Rollstuhl in einem einwandfreiem Zustand bleiben. Bezüglich des Wartungshandbuchs besuchen Sie die Vermeiren-Website unter: www.vermeiren.com.

4.1. Wartungspunkte

⚠ VORSICHT

Gefahr von Verletzungen und Schäden

- Reparaturen und Teileaustausch dürfen nur von geschultem Personal durchgeführt werden und es dürfen nur Originalersatzteile von Vermeiren verwendet werden.

- i** Auf der letzten Seite dieses Handbuchs befindet sich ein Registrierungsformular, auf dem der Fachhändler jeden Service dokumentieren kann.

Die Wartungshäufigkeit hängt von der Häufigkeit und Intensität der Nutzung ab. Wenden Sie sich an Ihren Händler, um einen allgemeinen Zeitplan für Inspektion/Wartung/Reparatur zu vereinbaren.

4.1.1. Vor jeder Benutzung

Kontrollieren Sie folgende Punkte:

- Alle Komponenten: Vorhanden und nicht beschädigt oder verschlissen sind.
- Alle Komponenten: Reinigung siehe Kapitel **4.2.2.**
- Räder, Rückenlehne, Sitz, Wadenlehnen, Armlehnen, Fußplatte: Sind korrekt gesichert.
- Zustand der Räder/Reifen (siehe Kapitel **4.2.1.**).
- Zustand der Rahmenteile: Keine Deformation, Instabilität, Schwachstelle oder lose Verbindungen.

- Sitz, Rückenlehne, Armpolster, Wadenpolster und Kopfstütze (falls vorhanden): Kein übermäßiger Verschleiß (wie Eindellungen, Beschädigungen oder Risse)
- Bremsen: Unbeschädigt und funktionsfähig

Wenden Sie sich wegen etwaiger Reparaturen oder Ersatzteile an Ihren Fachhändler.

4.1.2. Jährlich oder häufiger

Lassen Sie Ihren Rollstuhl mindestens einmal pro Jahr oder häufiger von Ihrem Fachhändler inspizieren und warten. Die minimale Wartungshäufigkeit ist von der Benutzung abhängig und sollte daher zusammen mit Ihrem Fachhändler abgesprochen werden.

4.1.3. Bei Lagerung

Stellen Sie sicher, dass Ihr Rollstuhl in einer trockenen Umgebung gelagert wird, um Schimmelbildung und die Beschädigung der Polsterung zu vermeiden, siehe auch Kapitel 5..

4.2. Wartungshinweise

4.2.1. Räder und Reifen

- i** Die korrekte Funktionsweise der Bremsen ist vom Zustand der Reifen abhängig und kann sich infolge von Verschleiß und Verunreinigung (Wasser, Öl, Matsch usw.) verändern.

Achten Sie darauf, dass keine Drähte, Haare, Sand oder Fasern an den Rädern anhaften.

Überprüfen Sie regelmäßig das Reifenprofil. Wenn die Profiltiefe weniger als 1 mm beträgt, muss der Reifen ausgetauscht werden. Wenden Sie sich diesbezüglich bitte an Ihren Fachhändler.

Pumpen Sie jeden Reifen mit dem korrekten Druck auf (siehe Angabe auf dem Reifen).

Hinweise zum Wechseln der Akkus enthält die Montageanleitung.

4.2.2. Reinigung

⚠ VORSICHT

Beschädigungsgefahr durch Feuchtigkeit

- Benutzen Sie keinesfalls einen Wasserschlauch oder Hochdruckreiniger, um den Rollstuhl zu reinigen.

Wischen Sie alle festen Teile mit einem feuchten (nicht durchnässten) Tuch ab. Benutzen Sie ggf. eine milde Seife, die für Lacke und Kunststoffe geeignet ist.

Die Polsterung kann mit lauwarmem Wasser und einer milden Seife gereinigt werden. Verwenden Sie keine scheuernden Reinigungsmittel.

4.2.3. Desinfektion

⚠ VORSICHT

Beschädigungsgefahr

- Eine Desinfektion darf nur von dafür geschultem Personal durchgeführt werden. Wenden Sie sich hierfür an Ihren Fachhändler.

4.3. Störungsbeseitigung

Auch bei ordnungsgemäßer Benutzung Ihres Rollstuhls kann ein technisches Problem auftreten. In diesem Fall wenden Sie sich bitte an Ihren Fachhändler.

⚠ WARNUNG

Gefahr von Verletzungen und Schäden

- Versuchen Sie KEINESFALLS, Ihren Rollstuhl selbst zu reparieren.

Die nachstehend genannten Symptome können auf ein ernsthaftes Problem hindeuten. Sie sollten sich daher stets an Ihren Fachhändler wenden, wenn eine der folgenden Situationen eintritt:

- Ungewöhnliche Geräusche
- Ungleichmäßige Abnutzung an einem der Reifen
- Ruckartige Bewegungen
- Rollstuhl zieht zu einer Seite
- Beschädigte oder gebrochene Radeinheiten

4.4. Voraussichtliche Nutzungsdauer

Der Rollstuhl ist für eine durchschnittliche Lebensdauer von 5 Jahren ausgelegt. Je nach Nutzungshäufigkeit, Betriebsbedingungen und Wartung kann die Nutzungsdauer Ihres Rollstuhls länger oder kürzer sein.

4.5. Wiederbenutzung

Lassen Sie den Rollstuhl vor jeder Wiederbenutzung desinfizieren, inspizieren und entsprechend den Anweisungen in Abschnitt **4.1.** und **4.2.** warten.

4.6. Nutzungsende

Am Ende seiner Nutzungsdauer muss Ihr Rollstuhl gemäß den geltenden Umweltvorschriften entsorgt werden. Dazu wird er im besten Fall zerlegt, um den Transport wiederverwertbarer Teile zu erleichtern.

4.7. Garantie

Die Garantie für dieses Produkt unterliegt den allgemeinen Bestimmungen jedes Landes.

5. Technische Daten

Die nachstehenden technischen Daten für diesen Rollstuhl gelten nur bei Standardeinstellungen und optimalen Umgebungsbedingungen. Berücksichtigen Sie diese Daten bei der Benutzung. Die Werte gelten nicht mehr, falls Ihr Sessel modifiziert wurde, beschädigt ist oder starke Verschleißerscheinungen aufweist.

Marke	Vermeiren
Produktgruppe	Rollstuhl
Typ	V300 XL
Beschreibung	Abmessungen
Maximales Gewicht des Benutzers	170 kg
Gesamtlänge	1085 mm
Gesamtbreite	740 mm 770 mm 810 mm
Gesamthöhe	840 mm - 930 mm
Gesamtgewicht	21 kg
Gewicht der schwersten Teile	13,35 kg
Gewicht der abnehmbaren Teile	1,75 kg
Fußauflagen	1,8 kg
Armlehnen	4,05 kg
Hinterräder	
Statische Stabilität, bergab	6,5°
Statische Stabilität, bergauf	6,5°
Statische Stabilität, seitwärts	18°
Winkel der Sitzfläche	0° - 10°
Effektive Sitztiefe	490 mm 510 mm 530 mm 550 mm
Effektive Sitzbreite	530 mm 560 mm 600 mm
Höhe der Sitzoberfläche an der Vorderkante	440 mm - 530 mm
Technische Änderungen vorbehalten. Messtoleranzen +- 15 mm / 1,5 kg / 1,5°	

Marke	Vermeiren
Produktgruppe	Rollstuhl
Typ	V300 XL
Beschreibung	Abmessungen
Rückenlehnenwinkel	5°
Höhe der Rückenlehne	400 mm
Abstand zwischen Fußplatte und Sitz	400 mm - 500 mm
Winkel Bein-Sitzfläche	105°
Fußplattenwinkel	80°
Abstand zwischen Armpolster und Sitz	220 mm - 240 mm
Länge der Armpolster zur Unterfahrbarkeit	410 mm
Horizontale Lage der Achse (Deflektion)	1,27 mm - 61,04 mm
Kleinster Wenderadius	1500 mm
Durchmesser der Hinterräder	22" 24"
Reifendruck Hinterräder	Max. 3,5 bar
Durchmesser Vorderräder	200 mm
Reifendruck Vorderräder	Max. 2,5 bar
Benutzungstemperatur	+5°C - +41°C
Luftfeuchtigkeitsbereich für Lagerung und Nutzung	30% - 70%
Technische Änderungen vorbehalten. Messtoleranzen +/- 15 mm / 1,5 kg / 1,5°	

Sommario

Premessa	113
1. Il prodotto	115
1.1. Opzioni	116
2. Prima dell'uso	116
2.1. Uso previsto e indicazioni	116
2.2. Istruzioni di sicurezza e rischi applicabili	117
2.3. Simboli presenti sulla carrozzina	118
2.4. Trasporto	119
2.5. Chiusura / Apertura	119
2.6. Magazzinaggio	121
3. Uso della carrozzina	121
3.1. Utilizzo dei freni	121
3.2. Trasferimento alla/dalla carrozzina	122
3.3. Regolazioni per il comfort	123
3.4. Utilizzo della carrozzina	127
4. Manutenzione	134
4.1. Punti di manutenzione	134
4.2. Istruzioni per la manutenzione	135
4.3. Soluzione dei problemi di funzionamento	136
4.4. Durata prevista	137
4.5. Utilizzi successivi	137
4.6. Fine vita	137
4.7. Garanzia	137
5. Specifiche tecniche	138

Congratulazioni! Ora possiede una carrozzina Vermeiren!

Questa carrozzina è realizzata da personale qualificato e competente. Essa è progettata e prodotta secondo gli elevati standard di qualità garantiti da Vermeiren.

Grazie per la fiducia accordata ai prodotti Vermeiren. Questo manuale viene fornito come supporto per l'uso della carrozzina e delle sue opzioni operative. Leggerlo attentamente, in quanto aiuta a familiarizzarsi con il funzionamento, le prestazioni e le limitazioni della carrozzina.

Per eventuali ulteriori domande successive alla lettura di questo manuale, rivolgersi al proprio rivenditore specializzato, che sarà lieto di fornire un supporto.

Nota importante

Per garantire la propria sicurezza e prolungare la durata del prodotto, trattarlo con cura e farlo controllare e/o sottoporlo a manutenzione con regolarità.





Questo manuale rispecchia gli sviluppi più recenti del prodotto. Vermeiren si riserva il diritto di introdurre modifiche di questo tipo di prodotto senza alcun obbligo di adattare o sostituire i prodotti analoghi consegnati in precedenza.

Le immagini del prodotto vengono utilizzate per chiarire le istruzioni contenute nel manuale. I dettagli del prodotto raffigurato possono essere diversi da quelli del prodotto in uso.

Informazioni disponibili

Sul sito Web di Vermeiren, all'indirizzo <http://www.vermeiren.com/>, è sempre disponibile la versione più recente delle informazioni contenute in questo manuale. Visitare con regolarità tale sito per verificare l'esistenza di eventuali aggiornamenti.

Le persone ipovedenti possono scaricare la versione elettronica di questo manuale e farlo leggere da un software applicativo di sintesi vocale.

	Manuale di istruzioni Per l'utente e il rivenditore specializzato
	Istruzioni di installazione Per il rivenditore specializzato
	Manuale di assistenza per le sedie a rotelle Per il rivenditore specializzato
	Dichiarazione di conformità CE

1. Il prodotto



1. Impugnature
2. Barra di spinta
3. Schienale
4. Imbottitura dei braccioli
5. Braccioli
6. Sedile
7. Poggiapiedi
8. Pedane
9. Ruote anteriori
10. Freni
11. Ruote posteriori
12. Corrimano
13. Leva di inclinazione
14. Crociera
15. Targhetta di identificazione

1.1. Opzioni

Per le opzioni, rivolgersi al proprio concessionario autorizzato. Sarà lieto di fornirle assistenza.

2. Prima dell'uso

2.1. Uso previsto e indicazioni

- L'ausilio e' un prodotto medicale.
- Indicazioni e controindicazioni: L'occupante può controllare direttamente il movimento della carrozzina oppure farsi spingere da un accompagnatore. La carrozzina è destinata a persone anziane o a persone con difficoltà motorie o incapacità di deambulazione, che necessitano di una larghezza del sedile superiore a 50 cm e/o di un peso utente maggiore. NON utilizzare la carrozzina se si soffre di disabilità fisiche o mentali in grado di mettere in pericolo sé o altri durante la guida della carrozzina. Consultare pertanto anzitutto il proprio medico e avere cura di trasmettere il suo parere al proprio rivenditore specializzato.
- Questa carrozzina è adatta per l'uso al coperto e all'aperto.
- Essa è progettata e realizzata esclusivamente per il trasporto/trasferimento di una (1) persona di peso non superiore a 170 kg. Essa non è viceversa progettata per il trasporto di merci od oggetti, né per qualunque uso diverso da quello descritto in precedenza.
- Utilizzare esclusivamente accessori e ricambi approvati da Vermeiren.
- Leggere tutte le informazioni tecniche di dettaglio e le limitazioni della carrozzina, riportate nel capitolo 5..
- La garanzia del prodotto presuppone un uso e una manutenzione normali del medesimo, come descritti in questo manuale. I danni al prodotto dovuti a uso improprio o manutenzione carente causano la decadenza della garanzia.

2.2. Istruzioni di sicurezza e rischi applicabili

ATTENZIONE

Rischio di lesioni e/o danni

- Leggere e osservare le istruzioni contenute in questo manuale. In caso contrario, è possibile ferirsi o danneggiare la carrozzina.















Durante l'uso, tenere presenti le seguenti avvertenze generali:

- Non utilizzare la carrozzina se si è sotto l'effetto di alcool, farmaci o altre sostanze in grado di influire sulle proprie capacità di guida.
- Non dimenticare che alcune parti della carrozzina possono diventare molto calde o fredde a causa della temperatura ambiente, della radiazione solare o di dispositivi di riscaldamento. Prestare attenzione quando si tocca la console. In condizioni climatiche fredde, indossare indumenti protettivi. In caso di uso all'aperto, è possibile utilizzare guanti da equitazione per migliorare la presa sui corrimani.
- Non modificare in alcun modo il prodotto.
- Se al momento della consegna l'imballaggio del prodotto è stato danneggiato, aperto (involontariamente) o alterato da condizioni ambientali (umidità, calore...), verificare l'integrità del dispositivo. In caso di dubbio, contattare il proprio rivenditore specializzato.

Tieni presente che il tuo carrozzina potrebbe interferire con qualche sistema di antifurto, a seconda delle impostazioni utilizzate ciò potrebbe fra scattare l'allarme del negozio.

Qualsiasi incidente grave [MDR (UE) 2017/745 §2 (65)] che si sia verificato in relazione al dispositivo deve essere segnalato al produttore e all'autorità competente dello Stato membro in cui risiede l'utente e/o il paziente.

2.3. Simboli presenti sulla carrozzina

	Indicazione del modello
	Codice prodotto
	Numero di serie
	Dispositivo medico
	Produttore
	Data di produzione
	Dichiarazione di conformità
	Attenzione: informazioni importanti
	Si consiglia di leggere il manuale
	Rischio di intrappolamento
	Peso massimo dell'utente, in kg
	Prodotto sottoposto a crash test; può essere utilizzato come sedile in automobile
	Non utilizzare come sedile in automobile
	Può essere utilizzato come sedile in automobile; indicare i punti di attacco

2.4. Trasporto

2.4.1. Trasporto su veicoli, come bagaglio

⚠ AVVERTENZA

Rischio di lesioni

- NON utilizzare la carrozzina come sedile in un veicolo; vedere il simbolo successivo.



- Controllare che la carrozzina sia fissata in modo adeguato, per evitare lesioni ai passeggeri in caso di collisioni o frenate brusche.
 - NON utilizzare la stessa cintura di sicurezza per il passeggero e per la carrozzina.
1. Rimuovere i poggiatesta, braccioli e gli accessori.
 2. Conservare i pedane, braccioli e gli accessori in un posto sicuro.
 3. Se possibile ripiegare la carrozzina e rimuovere le ruote posteriori.
 4. Sistemare la carrozzina nel portabagagli.
 5. Se lo scomparto della carrozzina e del passeggero NON sono separati, collegare il telaio della carrozzina in modo saldo al veicolo. È possibile utilizzare le cinture di sicurezza disponibili nel veicolo.

2.5. Chiusura / Apertura

⚠ ATTENZIONE

Rischio di lesioni

- Allontanare le dita dalle parti mobili della carrozzina.

2.5.1. Apertura della carrozzina

1. Posizionarsi dietro la carrozzina.
2. Utilizzare le impugnature per aprire la carrozzina il più possibile.
3. Posizionarsi davanti alla carrozzina.

4. Premere entrambi i profilati tubolari della seduta verso il basso fino a quando non risultano fissati nella posizione corretta.
5. Montare la barra di spinta (vedere il §3.3.4.).

2.5.2. Chiusura della carrozzina

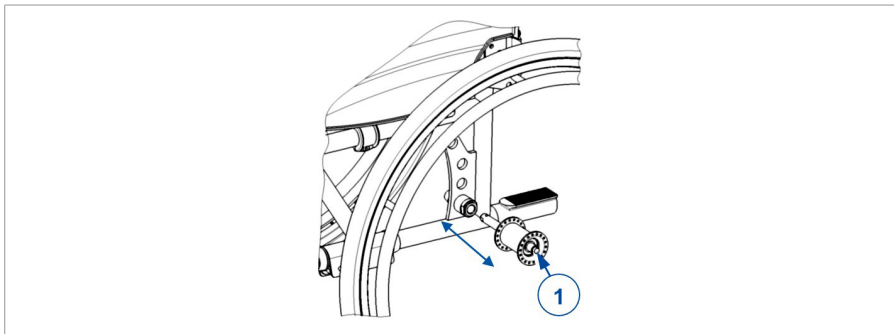
1. Ripiegare pedane o rimuovere le poggiatesta (vedere la sezione § 3.3.1.).
2. Rimuovere la barra di spinta (vedere il §3.3.4.).
3. Afferrare il sedile dalla parte anteriore e dallo schienale e tirarlo verso l'alto.

2.5.3. Montaggio delle ruote posteriori

1. Afferrare la ruota posteriore e premere il pulsante (1).
2. Tenere premuto il pulsante e montare l'asse delle ruote posteriori fino al punto d'arresto.
3. Rilasciare il pulsante.
4. Verificare che la ruota sia fissata.

2.5.4. Smontare le ruote posteriori

1. Accertarsi i freni siano disattivati.
2. Impugnare la carrozzina dal telaio laterale dove si desidera rimuovere la ruota.
3. Premere il pulsante al centro del mozzo della ruota.
4. Estrarre la ruota dal telaio.



2.6. Magazzinaggio

ATTENZIONE

Rischio di danni

- Avere cura di immagazzinare la carrozzina in un ambiente asciutto, per evitare la formazione di muffa o danni alla selleria; vedere inoltre il capitolo 5..

3. Uso della carrozzina

AVVERTENZA

Rischio di lesioni

- Leggere anzitutto il capitolo precedente per familiarizzarsi con l'uso previsto. NON utilizzare la carrozzina senza avere letto e compreso a fondo tutte le istruzioni.
- In caso di dubbi o domande, non esitare a rivolgersi al proprio rivenditore specializzato di zona, al proprio fornitore di cure sanitarie o a un consulente tecnico per un aiuto al riguardo.

3.1. Utilizzo dei freni

ATTENZIONE

Rischio di lesioni

- Non utilizzare i freni per rallentare la carrozzina durante la marcia, utilizzarli solo per prevenire movimenti indesiderati della carrozzina.
- Sull'adeguato funzionamento dei freni incidono l'usura e la mancanza di pulizia delle ruote, ad esempio presenza di acqua, olio o fango. Verificare le condizioni delle ruote prima di ogni utilizzo.
- I freni sono regolabili e possono usurarsi. Verificare il funzionamento dei freni prima di ogni utilizzo.
- Accertarsi che la carrozzina sia su una superficie piana prima di rilasciare i freni. Non rilasciare mai entrambi i freni contemporaneamente.

3.1.1. Inserimento dei freni:

1. Spingere le impugnature dei freni in avanti fino a sentire un clic distinto.

3.1.2. Per rilasciare i freni:

1. Rilasciare un freno tirando l'impugnatura all'indietro.
2. Reggere il corrimano della ruota di rilascio con la mano.
3. Ripetere l'operazione per la seconda ruota e il secondo freno di parcheggio.

3.2. Trasferimento alla/dalla carrozzina

ATTENZIONE

Rischio di lesioni o di danni

- Nel caso in cui non si riesca a eseguire il trasferimento in modo sicuro, chiedere assistenza.
- Non stare in piedi sui pedane.

3.2.1. Trasferimento

1. Posizionare la carrozzina il più vicino possibile alla sedia, alla poltrona o al letto verso il quale si desidera trasferire il paziente.
2. Azionare entrambi i freni di stazionamento; vedere il §3.1..
3. Ripiegare pedane o rimuovere le poggiatesta (vedere la sezione § 3.3.1.).
4. Se il trasferimento avviene dalla parte laterale della carrozzina, rimuovere il bracciolo (vedere § 3.3.2.).
5. Trasferirsi sulla/dalla carrozzina utilizzando la forza delle proprie braccia o con l'ausilio di uno (o più) assistenti o di un dispositivo di sollevamento.

3.2.2. Posizione di seduta sulla carrozzina

Alcuni consigli per un utilizzo confortevole della carrozzina:

- Sedersi sul sedile con la parte inferiore della schiena contro lo schienale.
- Accertarsi che le cosce siano in posizione orizzontale, se necessario regolare la lunghezza dei poggiatesta (vedere il manuale di installazione).

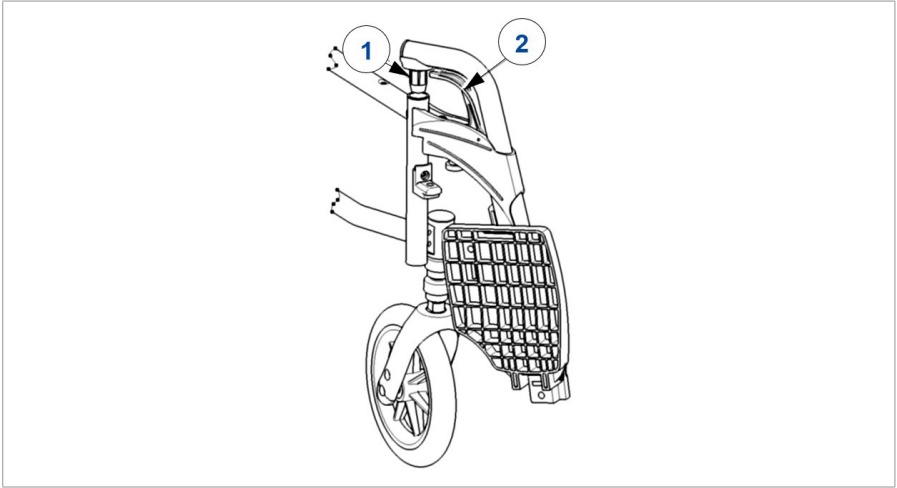
3.3. Regolazioni per il comfort

ATTENZIONE

Rischio di lesioni o di danni

- Le regolazioni per il comfort indicate di seguito possono essere eseguite da assistenti o badanti. Tutte le altre regolazioni vengono eseguite dal rivenditore specializzato in base alle istruzioni di installazione; vedere la premessa.
- Tenere sempre conto del raggio di rotazione della pedana, per evitare di causare lesioni alle persone o danni materiali.
- Prestare attenzione per evitare che dita, indumenti e fibbie rimangano intrappolati durante le regolazioni.

3.3.1. Montaggio o rimozione dei poggiapiedi



3.3.1.1. Montaggio dei poggiapiedi

1. Reggere il poggiapiedi lateralmente dalla parte esterna del telaio della carrozzina e montare la chiusura del tubo (1) sul telaio.
2. Ruotare della pedana verso l'interno fino a quando non scatta nella posizione corretta.
3. Ruotare la pedana verso il basso.

3.3.1.2. Smontaggio dei poggiapiedi

1. Tirare la leva (2).
2. Ruotare il poggiapiedi verso l'esterno della carrozzina finché non si sgancia dalla guida.
3. Sfilare la pedana dalla chiusura del profilato tubolare (1).

3.3.2. Montaggio o rimozione dei braccioli

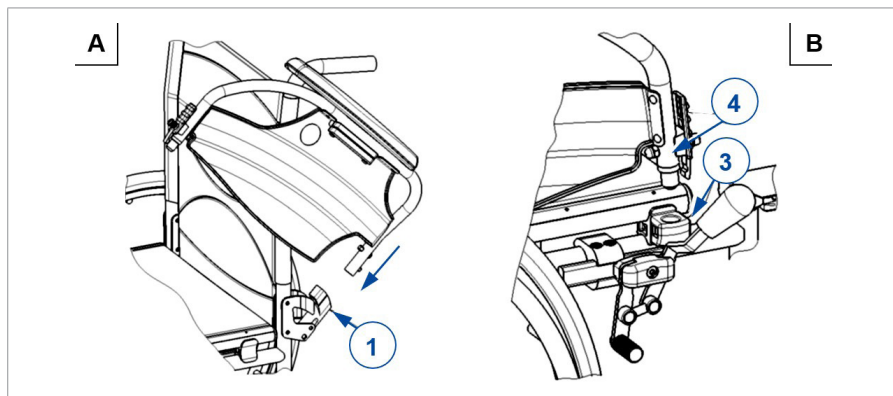
⚠ ATTENZIONE

Rischio di lesioni

- Tenere dita, fibbie e indumenti lontani dalla parte laterale del poggiaabbraccia.

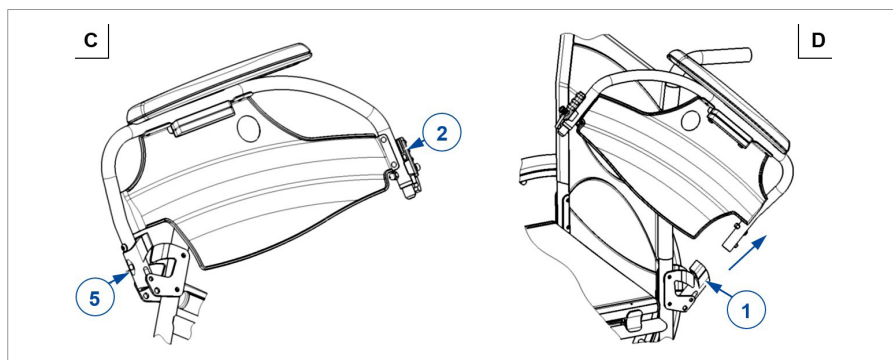
3.3.2.1. Montaggio dei braccioli

1. Montare il tubo posteriore del bracciolo nel cappuccio del tubo (1). (Fig. A)
2. Accertarsi che il poggiabraccia scatti nel meccanismo di blocco.
3. Piegarlo il supporto del braccio in avanti.
4. Inserire il tubo anteriore del supporto braccio (4) nel cappuccio del tubo (3). (Fig. B)



3.3.2.2. Apertura e rimozione dei braccioli

1. Premere la leva (2) e tirare verso l'alto la parte anteriore del supporto del braccio (1). (Fig. C)
2. Piegarlo il supporto del braccio all'indietro.
3. Per rimuovere il supporto del braccio, premere il pulsante (5) e tirare la parte posteriore del supporto del braccio dal cappuccio del tubo (1). (Fig. C e D)



3.3.3. Regolazione delle routine antiribaltamento (se applicabile)

Regolare l'altezza delle routine antiribaltamento come indicato di seguito in 7 posizioni (intervallo di 120 mm: con incrementi di 20 mm):

1. Allentare la vite (1) .
2. Spostare il profilato tubolare dell'antiribaltamento nella altezza desiderata.
3. Fissare la manopola a stella.
4. Verificare che la routine antiribaltamento sia fissata saldamente.

3.3.4. Montaggio o rimozione della barra di spinta

AVVERTENZA

Rischio di lesioni

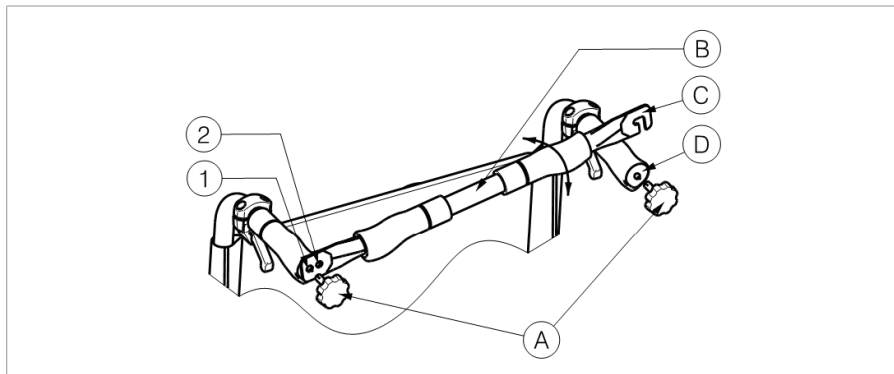
- Accertarsi che le manopole (A) siano fissate saldamente.
- Se presente, assicurarsi che la barra di spinta sia montata per aumentare la stabilità dello schienale della carrozzina.

3.3.4.1. Per montare la barra di spinta

1. Montare la barra di spinta (B) con la manopola a stella (A) nell'impugnatura sinistra.
2. Ruotare la barra di spinta (B) verso destra.
3. Montare il morsetto (C) sull'impugnatura destra (D) come mostrato nel disegno. Utilizzare i fori (1) e (2) per regolare la tensione dello schienale.

3.3.4.2. Per rimuovere la barra di spinta

1. Allentare la manopola (A) a stella sull'impugnatura destra.
2. Rimuovere il morsetto (C) dall'impugnatura destra (D).



3.4. Utilizzo della carrozzina

i A seconda della propria situazione clinica e del tipo di carrozzina, l'utente può azionare autonomamente la stessa oppure farla spingere da un assistente.

⚠ ATTENZIONE

Rischio di intrappolamento

- Avere cura di evitare che le dita restino impigliate nei raggi delle ruote.
- Quando si attraversano passaggi stretti, prestare attenzione a non schiacciarsi le mani sui corrimani.
- Quando la carrozzina è azionata da un assistente, tenere le braccia lontane dalle ruote e i piedi sulle pedane.

⚠ ATTENZIONE

Rischio di lesioni o di danni

- NON effettuare spostamenti su superfici inclinate, ostacoli, gradini o cordoli di dimensioni superiori a quelle specificate nel § 5..
- Non utilizzare la carrozzina nel traffico. Rimanere sempre sul marciapiede.
- Non azionare i corrimani con le mani bagnate.
- Prestare attenzione quando si procede su strade con buche o fessure in cui le ruote possano incastrarsi.
- Evitare sassi o altri oggetti in grado di bloccare le ruote.

- Tenere sempre conto del raggio di rotazione della pedana, per evitare di causare lesioni alle persone o danni materiali.
- Prima di ogni utilizzo, verificare che:
 - tutte le regolazioni siano fissate saldamente; vedere il §3.3..
 - i freni di parcheggio funzionino correttamente.
 - gli pneumatici siano in buone condizioni; vedere il §4.2.1..

3.4.1. Spostamenti con un assistente

1. Rilasciare i freni, o farli rilasciare dall'assistente mentre trattiene la carrozzina per evitare che si sposti; vedere il §3.1..
2. L'assistente deve afferrare le impugnature o la barra di spinta per spingere la carrozzina nella direzione desiderata.
3. Dopo l'arresto, inserire i freni trattenendo allo stesso tempo la carrozzina nel punto in cui si trova; vedere il §3.1..

3.4.2. Spostamenti in autonomia

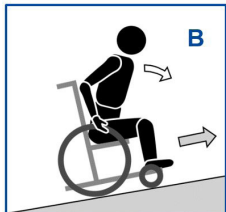
1. Rilasciare uno alla volta i freni di parcheggio; vedere il §3.1..
2. Spostare le mani nel punto più alto di entrambi i corrimani.
3. Inclinare il busto in avanti e spingere in avanti i corrimani, fino a quando le braccia sono distese.
4. Riportare in scioltezza le braccia sul punto più alto dei corrimani e ripetere il movimento di spinta.
5. Per fermarsi, attendere l'arresto della carrozzina e spostarsi in avanti / all'indietro azionando i corrimani. Inserire uno alla volta i freni di parcheggio; vedere il §3.1..

3.4.3. Spostamenti su superfici inclinate

⚠ ATTENZIONE

Rischio di lesioni

- Se l'assistente non dispone di una forza sufficiente per controllare la carrozzina, arrestare la marcia e utilizzare immediatamente i freni.
- Quando ci si ferma su una superficie (poco) inclinata, utilizzare i freni.



1. Assicurarsi alla carrozzina con una cintura di sicurezza.
2. Chiedere aiuto a un assistente o a un passante.
3. Procedere lentamente e in linea retta. Quando si procede in salita, inclinare il busto leggermente in avanti (A/B). Quando si procede in discesa, inclinare il busto all'indietro, appoggiandosi allo schienale.
4. Non invertire mai il senso di marcia sulle superfici inclinate.

3.4.4. Uso delle rampe

⚠ ATTENZIONE

Rischio di ribaltamento

- Utilizzare soltanto rampe approvate da Vermeiren, e non superare il loro carico massimo.
 - Accertarsi che la carrozzina, una volta inclinata, non tocchi il suolo o la rampa.
 - Affrontare le rampe soltanto con l'aiuto di uno o due assistenti.
1. Regolare la posizione dello schienale, del sedile e dei poggiatesta in modo da ridurre il volume occupato dalla carrozzina e da aumentarne la stabilità una volta in pendenza.
 2. Smontare i poggiatesta; vedere il §3.3.1..
 3. Seguire le istruzioni riportate nel §3.4.3..

3.4.5. Uso delle scale

⚠ ATTENZIONE

Rischio di ribaltamento

- Le scale devono sempre essere affrontate con l'aiuto di due assistenti.
- Non tentare mai di utilizzare scale inadatte alle carrozzine.



1. Smontare i poggiapiedi; vedere il §3.3.1..
2. Un assistente deve inclinare leggermente all'indietro la carrozzina servendosi delle maniglie.
3. Il secondo assistente deve afferrare la carrozzina dal lato anteriore del telaio, su entrambi i lati della stessa.
4. Rimanere calmi, evitare movimenti improvvisi e tenere le braccia all'interno della carrozzina.
5. Entrambi gli assistenti devono sollevare e tirare la carrozzina da un gradino al successivo, mentre le ruote posteriori rotolano sui gradini.
6. Una volta superate le scale, rimontare i poggiapiedi al loro posto; vedere il §3.3.1..

3.4.6. Affrontare gli ostacoli

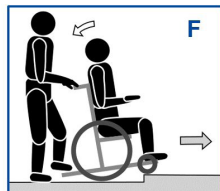
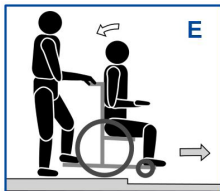
⚠ ATTENZIONE

Rischio di ribaltamento

- Se non si possiede sufficiente esperienza di condotta della carrozzina, chiedere aiuto a un assistente.
- Quando si affronta un ostacolo, accertarsi che le pedane non tocchino terra.
- Non utilizzare la carrozzina sulle scale mobili.
- Se disponibile, indossare la cintura di sicurezza.

3.4.6.1. Cordoli bassi (in salita o in discesa)

Questi possono essere affrontati procedendo in avanti (E / F) con l'ausilio di un assistente, o da utenti esperti di carrozzina.



1. L'assistente deve fare avanzare la carrozzina avvicinandosi al cordolo. Accertarsi che le pedane non tocchino i cordoli.
2. Inclinare il busto all'indietro per ridurre la pressione sulle ruote anteriori.
3. Mentre procede in avanti, l'assistente deve impugnare saldamente le maniglie. Se necessario, l'assistente deve utilizzare i tappi di inclinazione per mantenere le ruote anteriori sollevate fino a quando non hanno superato il bordo del cordolo.
4. L'assistente deve rilasciare la pressione sulle maniglie e sui tappi per le estremità per appoggiare delicatamente a terra le ruote anteriori.
5. L'assistente deve poi impugnare saldamente le maniglie spingendo le ruote posteriori della carrozzina sul cordolo o giù dal medesimo.

Un utente esperto può negoziare piccoli scalini in avanti da solo:



In discesa:

1. Spostare l'equilibrio sulle ruote posteriori per ridurre la pressione sulle ruote anteriori.
2. Affrontare gli scalini.

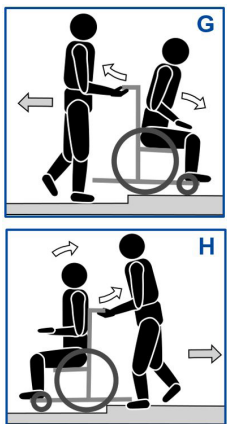


In salita:

1. Arrivare agli scalini.
2. Inclinarsi all'indietro per essere in equilibrio sulle ruote posteriori.
3. Portare l'equilibrio delle ruote anteriori oltre gli scalini.
4. Piegarsi in avanti per una maggiore stabilità.
5. Portare le ruote posteriori oltre gli scalini.

3.4.6.2. Cordoli medi (in salita o in discesa)

Questi cordoli devono essere affrontati procedendo all'indietro con l'ausilio di un assistente:



1. L'assistente deve ruotare la carrozzina in modo da fare avvicinare per prime al cordolo le ruote posteriori (G/H).
2. In discesa: Inclinare il busto in avanti (G) per spostare il baricentro verso il lato anteriore.
In salita: Inclinare il busto all'indietro (H) per spostare il baricentro verso il lato posteriore.
3. L'assistente deve tirare delicatamente la carrozzina per farla scendere dal / salire sul cordolo.

3.4.6.3. Cordoli più alti

I cordoli di altezza maggiore, ma inferiore al valore massimo, vedere il § 5., devono essere affrontati con l'aiuto di due assistenti.

In discesa:

1. Rimuovere i poggiapiedi.
2. L'assistente deve fare avanzare la carrozzina avvicinandosi al cordolo.
3. Inclinare il busto all'indietro per ridurre la pressione sulle ruote anteriori.
4. L'assistente deve afferrare saldamente le maniglie e utilizzare i tappi di inclinazione per mantenere le ruote anteriori sollevate fino a quando non hanno superato il bordo del cordolo.
5. Il secondo assistente deve afferrare il lato anteriore del telaio e spostarsi all'indietro trascinando le ruote posteriori fino a farle scendere dal cordolo.
6. L'assistente deve rilasciare la pressione sulle maniglie e sui tappi per le estremità per appoggiare delicatamente a terra le ruote anteriori.

In salita:

1. Rimuovere i poggiapiedi.
2. Il primo assistente deve ruotare la carrozzina in modo da fare avvicinare per prime al cordolo le ruote posteriori.
3. Inclinare il busto all'indietro per spostare il baricentro verso il lato posteriore.
4. Il secondo assistente deve afferrare il lato anteriore del telaio e spostarsi in avanti trascinando/spingendo le ruote posteriori sul cordolo. Il primo assistente deve sollevare le maniglie, afferrandole saldamente per evitare che la carrozzina si capovolga.

4. Manutenzione

- i** Una cura regolare garantisce che la carrozzina rimanga in perfette condizioni di funzionamento. Per il manuale di manutenzione, fare riferimento al sito Web di Vermeiren all'indirizzo www.vermeiren.com.

4.1. Punti di manutenzione

⚠ ATTENZIONE

Rischio di lesioni e danni

- Riparazioni e sostituzioni devono essere eseguite esclusivamente da personale con un'opportuna formazione e utilizzando unicamente ricambi originali Vermeiren.
- i** L'ultima pagina di questo manuale contiene un modulo di registrazione che consente ai concessionari autorizzati di registrare ogni intervento di assistenza.
La frequenza dell'assistenza dipende dalla frequenza e dall'intensità dell'uso. Concordare con il proprio rivenditore un calendario comune per le attività di ispezione / manutenzione / riparazione.

4.1.1. Prima di ciascun utilizzo

Verificare i seguenti punti:

- Tutti i componenti: presenza, integrità e assenza di usura.
- Tutti i componenti: pulizia, vedere il **§4.2.2.**
- Ruote, schienale, sedile, poggiaolpacci, braccioli e pedane: fissaggio corretto.
- Condizioni delle ruote / degli pneumatici: vedere il **§ 4.2.1.**
- Condizioni dei componenti del telaio: assenza di deformazioni, instabilità, punti deboli o raccordi allentati.
- Sedile, schienale, poggiatesta (se presente) e imbottiture di braccioli e poggiaolpacci: assenza di usura eccessiva (come ammaccature, danni o lacerazioni).

- Freni: integri e funzionanti.

Rivolgersi al proprio rivenditore specializzato per le riparazioni o i ricambi eventualmente necessari.

4.1.2. Annualmente o con maggiore frequenza

Almeno una volta all'anno, o con maggiore frequenza, richiedere al proprio rivenditore specializzato un intervento di ispezione e manutenzione della carrozzina. La frequenza minima di manutenzione dipende dall'uso, e deve pertanto essere concordata con il proprio concessionario autorizzato.

4.1.3. In caso di inutilizzo

Avere cura di immagazzinare la carrozzina in un ambiente asciutto, per evitare la formazione di muffa o danni alla selleria; vedere inoltre il capitolo 5..

4.2. Istruzioni per la manutenzione

4.2.1. Ruote e pneumatici

- i** Il funzionamento corretto dei freni dipende dallo stato degli pneumatici, e può variare a seconda dell'usura e dell'eventuale contaminazione (acqua, olio, fango e così via).

Tenere pulite le ruote da fili, capelli, sabbia e fibre.

Verificare il profilo degli pneumatici. Se la profondità del battistrada è inferiore a 1 mm, occorre sostituire gli pneumatici. A tale scopo, rivolgersi al proprio rivenditore specializzato.

Gonfiare ciascuno pneumatico alla pressione corretta (facendo riferimento all'indicazione riportata sul medesimo).

Per istruzioni sulle modalità di sostituzione degli pneumatici, vedere il manuale di installazione.

4.2.2. Pulizia

ATTENZIONE

Rischio di danni da umidità

- Non pulire la carrozzina con manichette o pulitrici ad alta pressione.

Strofinare tutti i componenti rigidi con un panno umido (non zuppo). Se necessario, utilizzare un detergente delicato, adatto per smalti e materiali sintetici.

È possibile pulire la selleria con acqua tiepida e un detergente delicato. Non utilizzare detersivi abrasivi per la pulizia.

4.2.3. Disinfezione

ATTENZIONE

Rischio di danni

- La disinfezione deve essere eseguita esclusivamente da personale con un'opportuna formazione. Consultare il proprio rivenditore specializzato.

4.3. Soluzione dei problemi di funzionamento

Anche se si utilizza la carrozzina nel modo corretto, è comunque possibile che si verifichi un problema tecnico. In tal caso, rivolgersi al rivenditore specializzato della propria zona.

AVVERTENZA

Rischio di lesioni e danni

- NON tentare MAI di riparare personalmente la carrozzina.

I sintomi indicati di seguito possono segnalare un problema grave. Rivolgersi pertanto sempre al proprio rivenditore specializzato se si rileva una qualunque delle seguenti anomalie:

- Rumori strani;
- Usura irregolare del battistrada di uno pneumatico;
- Movimenti a scatti;
- Tendenza della carrozzina a deviare lateralmente;
- Gruppi ruota danneggiati o spezzati.

4.4. Durata prevista

La carrozzina è costruita in modo da permettere una durata media di vita di 5 anni. Tale valore aumenta o diminuisce a seconda della frequenza di utilizzo, delle condizioni di guida e della manutenzione.

4.5. Utilizzi successivi

Prima di ogni utilizzo successivo, fare disinfettare, ispezionare e sottoporre a manutenzione la carrozzina secondo le istruzioni dei **§ 4.1.** e **§ 4.2.** .

4.6. Fine vita

A fine vita, occorre smaltire la carrozzina conformemente alla legislazione ambientale locale. Il modo migliore per farlo consiste nello smontare la carrozzina per agevolare il trasporto dei componenti riciclabili.

4.7. Garanzia

La garanzia di questo prodotto è soggetta ai termini e alle condizioni generali di ogni paese.

5. Specifiche tecniche

I dettagli tecnici riportati di seguito sono validi soltanto per la carrozzina oggetto del manuale, con le impostazioni standard e in condizioni ambiente ottimali. Durante l'uso, tenere conto di questi dati di dettaglio. I valori indicati non sono più validi se la poltrona elevabile ha subito modifiche o danni, oppure presenta un livello elevato di usura.

Marchio	Vermeiren
Gruppo prodotto	Carrozzina manuale
Tipo	V300 XL
Descrizione	Dimensioni
Peso massimo dell'utente	170 kg
Lunghezza complessiva	1085 mm
Larghezza complessiva	740 mm 770 mm 810 mm
Altezza complessiva	840 mm - 930 mm
Massa totale	21 kg
Massa del componente più pesante	13,35 kg
Masse dei componenti rimovibili	1,75 kg
Poggiapiedi	1,8 kg
Braccioli	4,05 kg
Ruote posteriori	
Stabilità statica in discesa	6,5°
Stabilità statica in salita	6,5°
Stabilità statica laterale	18°
Basculamento del sedile	0° - 10°
Profondità del sedile regolabile	490 mm 510 mm 530 mm 550 mm
Larghezza effettiva del sedile	530 mm 560 mm 600 mm
Altezza da terra del sedile	440 mm - 530 mm
La casa produttrice si riserva il diritto di apportare modifiche tecniche. Tolleranza misurazioni +/- 15 mm / 1,5 kg / 1,5° .	

Marchio	Vermeiren
Gruppo prodotto	Carrozzina manuale
Tipo	V300 XL
Descrizione	Dimensioni
Angolazione dello schienale	5°
Altezza dello schienale	400 mm
Distanza tra pedana e sedile	400 mm - 500 mm
Angolo fra le gambe e la superficie del sedile	105°
Angolazione della pedana	80°
Distanza tra imbottitura dei braccioli e sedile	220 mm - 240 mm
Posizione anteriore della imbottitura dei braccioli	410 mm
Posizione orizzontale dell'asse (deflessione)	1,27 mm - 61,04 mm
Raggio di sterzata minimo	1500 mm
Diametro delle ruote posteriori	22" 24"
Pressione degli pneumatici, ruote posteriori	Max. 3,5 bar
Diametro delle ruote anteriori	200 mm
Pressione degli pneumatici, ruote anteriori	Max. 2,5 bar
Temperatura di utilizzo	+5°C - +41°C
Umidità per utilizzo e conservazione	30% - 70%
La casa produttrice si riserva il diritto di apportare modifiche tecniche. Tolleranza misurazioni +/- 15 mm / 1,5 kg / 1,5° .	

Índice

Introducción	141
1. Su producto	143
1.1. Opciones	144
2. Antes de su uso	144
2.1. Uso previsto y indicaciones	144
2.2. Instrucciones de seguridad y riesgos aplicables	145
2.3. Símbolos presentes en la silla de ruedas	146
2.4. Transporte	147
2.5. Plegado / Desplegado	147
2.6. Almacenamiento	149
3. Utilizar la silla de ruedas	149
3.1. Accionamiento de los frenos	149
3.2. Traslado a/desde la silla de ruedas	150
3.3. Ajustes de comodidad	151
3.4. Conducción de la silla de ruedas	154
4. Mantenimiento	161
4.1. Puntos de mantenimiento	161
4.2. Instrucciones de mantenimiento	163
4.3. Resolución de problemas	164
4.4. Vida útil prevista	164
4.5. Reutilizar	165
4.6. Fin de vida útil	165
4.7. Garantía	165
5. Especificaciones técnicas	166

Introducción

¡Felicidades! Es usted el propietario de una silla de ruedas Vermeiren.

Esta silla de ruedas ha sido fabricada por personal experto y cualificado. Se ha diseñado y fabricado según los más altos estándares de calidad implementados por Vermeiren.

Le agradecemos su confianza en los productos Vermeiren. Le ofrecemos este manual para ayudarle en la utilización de su silla de ruedas y sus opciones de manejo. Léalo detenidamente. Le ayudará a familiarizarse con el manejo, las capacidades y limitaciones de su silla de ruedas.

Si todavía tiene alguna duda después de leer este manual, contacte con su distribuidor especializado, estará encantado de ayudarle.

Nota importante

Para garantizar su seguridad y prolongar la vida útil de su producto, cuídalo bien y asegúrese de realizar revisiones y mantenimientos de manera regular.





Este manual refleja los desarrollos más recientes del producto. Vermeiren se reserva el derecho a implementar cambios en este tipo de producto sin que ello suponga obligación alguna de adaptar o cambiar productos similares previamente entregados.

Las imágenes del producto están presentes para clarificar las instrucciones contenidas en este manual. Los detalles del producto mostrado pueden variar con su producto.

Información disponible

En nuestro sitio web <http://www.vermeiren.com/> siempre encontrará la versión más reciente de la información en este manual. Consulte este sitio web de manera regular para estar al tanto de posibles actualizaciones.

Las personas con discapacidad visual pueden descargarse la versión electrónica del manual y utilizar un software de síntesis de voz para poder oír su contenido.

	Manual de instrucciones Para el usuario y el distribuidor especializado
	Instrucciones de instalación Para el distribuidor especializado
	Manual de mantenimiento para sillas de ruedas Para el distribuidor especializado
	Declaración CE de conformidad

1. Su producto

ES



1. Empuñaduras
2. Barra de empuje
3. Respaldo
4. Almohadillas del reposabrazos
5. Reposabrazos
6. Asiento
7. Reposapiés
8. Paletas
9. Ruedas delanteras
10. Frenos
11. Ruedas traseras
12. Aros de propulsión
13. Palanca de inclinación
14. Cruceta
15. Placa de identificación

1.1. Opciones

Póngase en contacto con su distribuidor especializado para consultar las opciones. Estará encantado de asesorarle.

2. Antes de su uso

2.1. Uso previsto y indicaciones

- Este producto es un dispositivo médico.
- Indicaciones y contraindicaciones: El usuario puede propulsar él mismo la silla de ruedas o disponer de un acompañante que la empuje. La silla de ruedas está diseñada para personas mayores o personas con capacidad reducida para caminar o sin capacidad para caminar, y que necesitan una anchura de asiento superior a 50 cm y/o un peso de usuario superior. NO utilizar la silla de ruedas si sufre de discapacidades físicas o mentales que puedan ponerle en riesgo a usted o a otras personas al conducir la silla de ruedas. Por tanto, consulte primero con su médico y asegúrese de que su distribuidor especializado esté al tanto de los consejos de su médico.
- Esta silla de ruedas es apta para su uso en interiores y exteriores.
- Esta silla de ruedas está diseñada y fabricada exclusivamente para transportar a una (1) persona con un peso máximo de 170kg. No está diseñada para transportar mercancías u objetos, o para otros usos que no sean los descritos anteriormente.
- Utilizar sólo accesorios y piezas de repuesto aprobadas por Vermeiren.
- Consulte todos los datos técnicos y las limitaciones de la silla de ruedas en el capítulo 5..
- La garantía de este producto se basa en el uso y mantenimiento normales descritos en este manual. La garantía se invalida si el producto sufre cualquier daño causado por un uso indebido o falta de mantenimiento.

2.2. Instrucciones de seguridad y riesgos aplicables

PRECAUCIÓN

Riesgo de lesiones y daños

- Lea y siga las instrucciones contenidas en este manual. De no seguir las, puede acabar lesionándose a sí mismo, o acabar rompiendo la silla de ruedas.















Tener en cuenta las siguientes advertencias durante su utilización:

- No utilizar la silla de ruedas si se ha consumido alcohol, medicamentos u otras sustancias que afecten la capacidad de conducir.
- Téngase en cuenta que ciertas partes de la silla de ruedas pueden llegar a calentarse o enfriarse demasiado a causa de la temperatura ambiente, la luz del sol o la calefacción. Téngase cuidado al tocar la silla de ruedas. Llevar ropa protectora cuando haga frío. Cuando salga al exterior, puede utilizar guantes protectores para mejorar el agarre de los aros propulsores.
- No modificar este producto de ningún modo.
- Si al ser entregado observa en el embalaje daños exteriores, posible manipulación, daños por condiciones medio ambientales (humedad, calor...), por favor revise cuidadosamente el estado de su producto. Si tienes dudas sobre el estado del producto contacte con su proveedor.

Tenga en cuenta que su silla de ruedas puede interferir con algunos tipos de sistemas antirrobo, según la configuración utilizada. Esto puede hacer que se active la alarma de la tienda.

Cualquier incidente grave [MDR (UE) 2017/745 §2 (65)] que se produzca en relación con el producto deberá comunicarse al fabricante y a la autoridad competente del Estado miembro en el que resida el usuario y/o paciente.

2.3. Símbolos presentes en la silla de ruedas

	Tipo de modelo
	Referencia
	Número de serie
	Dispositivo médico
	Fabricante
	Fecha de fabricación
	Declaración de conformidad
	Atención: información importante
	Se recomienda leer el manual
	Riesgo de aprisionamiento
	Peso máximo del usuario en kg
	Producto sometido a pruebas de colisión; puede utilizarse como asiento en un vehículo de motor
	No está destinada para ser usada como asiento en un vehículo.
	Puede utilizarse como asiento en un vehículo de motor ; indica los puntos de fijación

2.4. Transporte

2.4.1. Transporte mediante vehículo como equipaje

⚠ AVISO

Riesgo de lesiones

- NO utilizar la silla de ruedas como asiento en un vehículo, véase el siguiente símbolo.



- Compruebe que la silla de ruedas está fijada correctamente para no hacer daño a los pasajeros en caso de colisión o frenada brusca.
 - No utilice NUNCA el mismo cinturón de seguridad para fijar la silla de ruedas y el pasajero.
1. Retire los reposapiés, reposabrazos y demás accesorios.
 2. Guarde de forma segura los reposapiés, los reposabrazos y demás accesorios.
 3. Si es posible, pliegue la silla de ruedas y retire las ruedas traseras.
 4. Coloque la silla de ruedas en el compartimento de equipajes.
 5. Si la silla de ruedas y el compartimento de los pasajeros NO están separados, sujete el armazón de la silla de ruedas firmemente al vehículo. Puede utilizar los cinturones de seguridad disponibles en el vehículo.

2.5. Plegado / Desplegado

⚠ PRECAUCIÓN

Riesgo de lesiones

- Mantenga los dedos alejados de las partes móviles de la silla de ruedas.

2.5.1. Desplegado de la silla de ruedas

1. Sitúese detrás de la silla de ruedas.
2. Use las empuñaduras para abrir la silla de ruedas tanto como le sea posible.
3. Sitúese delante de la silla de ruedas.
4. Empuje los dos tubos del asiento hacia abajo hasta que queden fijados en su posición.
5. Monte la barra de empuje (véase §3.3.4.).

2.5.2. Plegado de la silla de ruedas

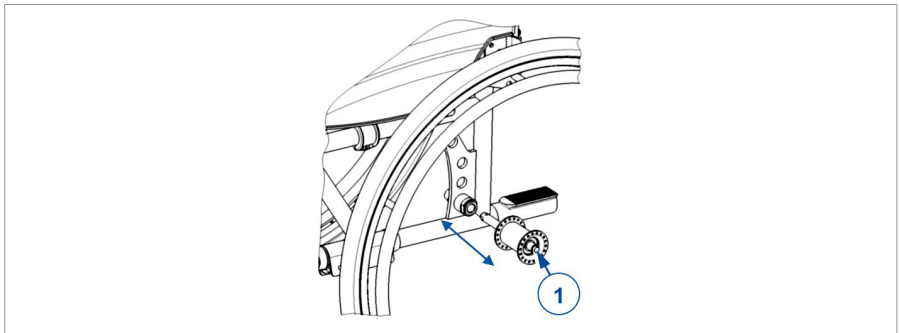
1. Pliegue las paletas o retire los reposapiés (véase § 3.3.1.).
2. Retire la barra de empuje (véase §3.3.4.).
3. Sujete el asiento por la parte delantera y trasera y tire de él hacia arriba.

2.5.3. Montaje de las ruedas traseras

1. Sujete la rueda trasera y presione el botón (1).
2. Mantenga el botón presionado y monte el eje de las ruedas traseras hasta el tope.
3. Suelte el botón.
4. Compruebe que la rueda está segura.

2.5.4. Extracción de las ruedas traseras

1. Asegúrese de que los frenos no están accionados.
2. Coloque la silla de ruedas del lado del armazón de la rueda que desea extraer.
3. Pulse el botón situado en la parte central del cubo de la rueda.
4. Tire de la rueda para extraerla del chasis.



2.6. Almacenamiento

PRECAUCIÓN

Riesgo de daños

- Asegurarse de que la silla de ruedas se almacena en un lugar seco para evitar la aparición de moho y que se dañe la tapicería; ver también el apartado 5..

3. Utilizar la silla de ruedas

AVISO

Riesgo de lesiones

- Leer antes los capítulos anteriores e informarse sobre el uso previsto. NO utilizar la silla de ruedas si no se han leído detenidamente y entendido completamente todas las instrucciones.
- En caso de tener dudas o preguntas, contacte con su distribuidor especializado local, proveedor de cuidados o asesor técnico para recibir asesoramiento.

3.1. Accionamiento de los frenos

PRECAUCIÓN

Riesgo de lesiones

- Los frenos no se utilizan para reducir la velocidad de la silla de ruedas durante los movimientos. Utilice los frenos solo para evitar que la silla de ruedas realice movimientos no deseados.
- El buen funcionamiento de los frenos depende de su desgaste y de las sustancias presentes en ellas (agua, aceite, barro, etc.). Compruebe las condiciones de las ruedas antes de utilizarlas.
- Los frenos se pueden ajustar y pueden desgastarse. Compruebe el funcionamiento de los frenos antes de cada uso.
- Asegúrese de que la silla de ruedas está en una superficie plana horizontal antes de soltar los frenos. Nunca suelte ambos frenos a la vez.

3.1.1. Para aplicar los frenos:

1. Empuje las palancas del freno hacia delante hasta que oiga un clic.

3.1.2. Para soltar los frenos:

1. Tire de la palanca hacia atrás para soltar un freno.
2. Sujete el aro de propulsión de la rueda que haya soltado.
3. Repetir estos pasos con el freno de estacionamiento de la otra rueda.

3.2. Traslado a/desde la silla de ruedas

PRECAUCIÓN

Riesgo de lesiones o daños

- En caso de que no pueda realizar el traslado de forma segura, pida a alguien que le ayude.
- No se ponga de pie en las paletas.

3.2.1. Traslado

1. Coloque la silla de ruedas lo más cerca posible de la silla, el sillón o la cama desde la que desea trasladarse o a la que desee ir.
2. Aplicar ambos frenos de estacionamiento, véase §3.1..
3. Pliegue las paletas o retire los reposapiés (véase § 3.3.1.).
4. Si el traslado se realiza por el lateral de la silla de ruedas, retirar el reposabrazos de ese lado (véase § 3.3.2.).
5. Realizar el traslado hacia/desde la silla utilizando la fuerza de sus brazos o con la ayuda de auxiliares o equipo de elevación.

3.2.2. Sentarse en la silla de ruedas

Algunas recomendaciones para un uso confortable de la silla de ruedas:

- Sentarse en el asiento apoyando la zona lumbar contra el respaldo.
- Asegúrese de que la parte superior de las piernas se encuentre en posición horizontal. En caso necesario, ajuste la longitud de los reposapiés (véase el manual de instalación).

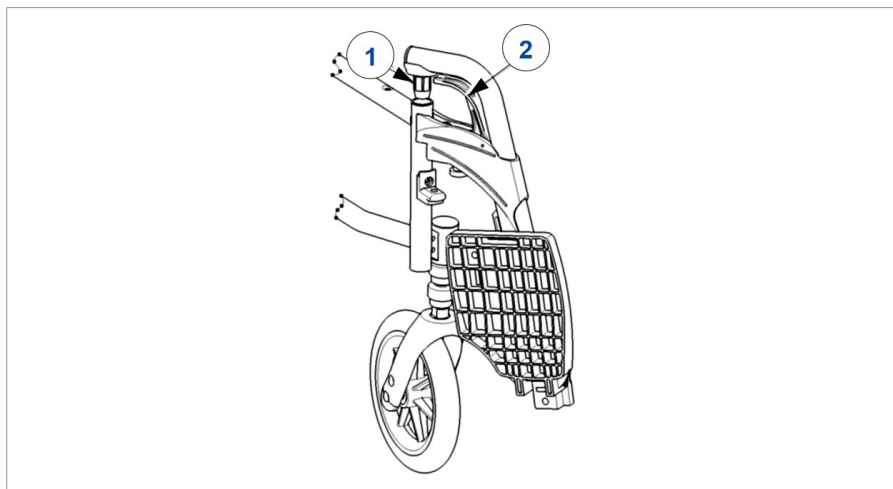
3.3. Ajustes de comodidad

⚠ PRECAUCIÓN

Riesgo de lesiones o daños

- Los siguientes ajustes de comodidad pueden realizarlos el auxiliar o el cuidador. El resto de ajustes ha de realizarlos el distribuidor especializado siguiendo las instrucciones de instalación, véase la introducción.
- Téngase siempre en cuenta el alcance de giro del reposapiés para evitar lesionar a otras personas o dañar objetos.
- Asegurarse de que no queden atrapados dedos, ropa o cinturones durante el ajuste.

3.3.1. Montaje o desmontaje de los reposapiés



3.3.1.1. Montar los reposapiés

1. Mantenga el reposapiés en posición vertical por la parte externa del armazón de la silla de ruedas e inserte el capuchón del tubo (1) en el armazón.
2. Gire el reposapiés hacia el interior hasta que encaje en su posición con un clic.
3. Gire la paleta hacia abajo.

3.3.1.2. Desmontar los reposapiés

1. Tirar de la palanca (2).
2. Gire el reposapiés hacia la parte externa de la silla de ruedas hasta que se afloje de la guía.
3. Saque el reposapiés del capuchón del tubo (1).

3.3.2. Montaje y desmontaje de los reposabrazos

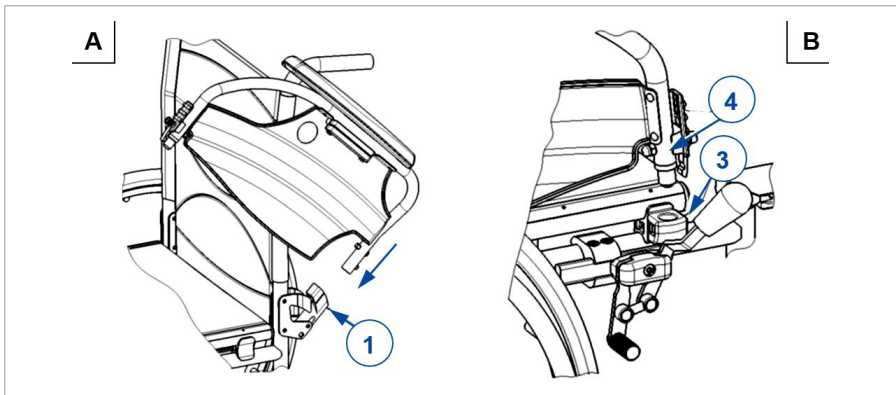
⚠ PRECAUCIÓN

Riesgo de lesiones

- Mantener los dedos, correas y vestimentas fuera de la parte inferior del reposabrazos.

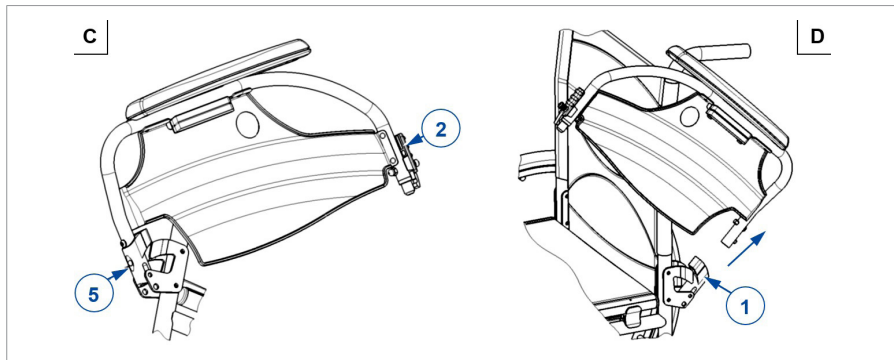
3.3.2.1. Montar los reposabrazos

1. Monte el tubo posterior de los reposabrazos en el capuchón del tubo (1). (Fig. A)
2. Asegúrese de que el reposabrazos hace clic en el mecanismo de bloqueo.
3. Pliegue el reposabrazos hacia delante.
4. Encaje el tubo delantero de los reposabrazos (4) en la boquilla del tubo (3). (Fig. B)



3.3.2.2. Abrir y retirar los reposabrazos

1. Pulse la palanca (2) y tire de la parte delantera de los reposabrazos hacia arriba. (Fig. C)
2. Pliegue el reposabrazos hacia atrás.
3. Para retirar el reposabrazos, presione el botón (5) y extraiga la parte posterior del reposabrazos de la boquilla del tubo (1). (Fig. C y D)



3.3.3. Ajuste el antivuelco (si es aplicable)

Ajuste la altura del antivuelco de la siguiente manera en siete posiciones (distancia de 120 mm, a intervalos de 20 mm):

1. Afloje el tornillo (1)
2. Desplace el tubo del antivuelco hasta la altura que desee
3. Fíjelo con el pomo de estrella.
4. Compruebe que el antivuelco esté bien sujeto.

3.3.4. Montaje o desmontaje de la barra de empuje

⚠ AVISO

Riesgo de lesiones

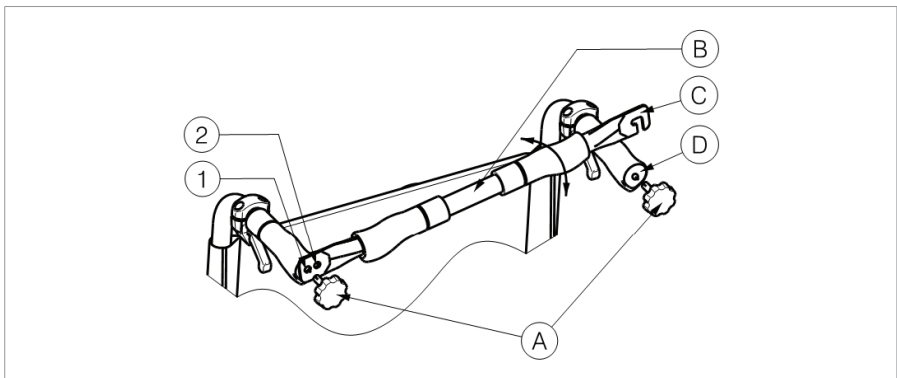
- Asegúrese de que los botones (A) están apretados.
- Cuando esté equipada con barra de empuje, ésta siempre deberá montarse para aumentar la estabilidad del respaldo.

3.3.4.1. Para montar la barra de empuje

1. Monte la barra de empuje (B) con el pomo de estrella (A) en la empuñadura izquierda.
2. Gire la barra de empuje (B) hacia la derecha.
3. Monte el gancho (C) en la empuñadura derecha (D) tal y como se muestra en el dibujo. Utilice los agujeros (1) o (2) para ajustar la tensión del respaldo.

3.3.4.2. Para retirar la barra de empuje

1. Afloje el pomo de estrella (A) de la empuñadura derecha.
2. Retire el gancho (C) de la empuñadura derecha (D).



3.4. Conducción de la silla de ruedas

- i** En función de su estado de salud y el tipo de silla, el usuario podrá circular con la silla de ruedas por su cuenta o hacerlo con ayuda de un auxiliar.

⚠ PRECAUCIÓN

Riesgo de aprisionamiento

- Tener cuidado de no pillarse los dedos con los radios de las ruedas.
- Tener cuidado de no pillarse las manos con los aros propulsores cuando esté atravesando espacios muy estrechos.
- Cuando maneje la silla un auxiliar, mantener los brazos alejados de las ruedas y los pies sobre el reposapiés.

⚠ PRECAUCIÓN**Riesgo de lesiones o daños**

- NO conducir en pendientes o sobre obstáculos, escalones o bordillos que excedan las dimensiones que se detallan en el apartado 5..
- No circular con la silla de ruedas entre el tráfico, mantenerse siempre en la acera.
- No manipular los aros propulsores con las manos mojadas.
- Prestar atención a la carretera para detectar baches o grietas en los que puedan quedar atrapadas las ruedas.
- Evitar las piedras u otros objetos que puedan bloquear las ruedas.
- Téngase siempre en cuenta el alcance de giro del reposapiés para evitar lesionar a otras personas o dañar objetos.
- Antes de cada uso, asegurarse de que:
 - todos los ajustes de piezas están bien fijados, véase **§3.3..**
 - los frenos de estacionamiento funcionan adecuadamente.
 - los neumáticos están en buen estado, véase sección **4.2.1..**

3.4.1. Circular con un auxiliar

1. Soltar los frenos o hacer que los suelte el auxiliar mientras sujeta la silla de ruedas para evitar que se mueva, véase **§3.1..**
2. El auxiliar agarra la barra de empuje o las empuñaduras para empujar la silla de ruedas en la dirección deseada.
3. Al detenerse, accionar los frenos mientras se mantiene la silla de ruedas fija en el mismo sitio, **§3.1..**

3.4.2. Circular por cuenta propia

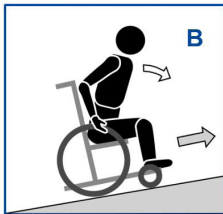
1. Soltar los frenos de estacionamiento uno a uno, véase **3.1..**
2. Mover las manos hacia la parte superior de ambos aros propulsores.
3. Inclinar hacia adelante y empujar los aros propulsores hacia adelante hasta que sus brazos queden rectos.
4. Con los brazos sueltos, poner las manos de nuevo en la parte más alta de los aros y repetir el movimiento de empuje.
5. Para detenerse: esperar hasta que la silla de ruedas se detenga y moverse hacia adelante/atrás con ayuda de los aros propulsores. Soltar los frenos de estacionamiento uno a uno, véase **§3.1..**

3.4.3. Conducción en pendiente

⚠ PRECAUCIÓN

Riesgo de lesiones

- Si el auxiliar no tiene suficiente fuerza como para controlar la silla de ruedas, dejar de circular y usar los frenos de inmediato.
- Cuando se detenga en una pendiente (no muy inclinada), utilizar los frenos.



1. Adoptar una postura segura en la silla de ruedas con un cinturón de seguridad.
2. Pedir ayuda a un auxiliar o un viandante.
3. Circular lentamente y en línea recta. Inclinar ligeramente hacia adelante (A/B) al subir la pendiente. Inclinar hacia atrás, contra el respaldo, al bajar la pendiente.
4. Nunca dar la vuelta en una cuesta.

3.4.4. Uso de rampas

⚠ PRECAUCIÓN

Riesgo de volcado

- Solo utilizar rampas homologadas por Vermeiren y no exceder su capacidad de carga máxima.
 - Asegurarse de que la silla de ruedas no toca el suelo o la rampa debido a la inclinación de la silla de ruedas.
 - Utilizar rampas solo con la ayuda de uno o dos auxiliares.
1. Ajustar la posición del respaldo, el asiento y el reposapiés para reducir el volumen de la silla de ruedas y aumentar la estabilidad durante la inclinación.
 2. Retirar los reposapiés, véase **§3.3.1.**
 3. Seguir las instrucciones en **§3.4.3.**

3.4.5. Utilizando escaleras

⚠ PRECAUCIÓN

Riesgo de volcado

- A la hora de atravesar escaleras, se debe contar siempre con la ayuda de dos auxiliares.
- No tratar nunca de utilizar escaleras que no estén diseñadas para sillas de ruedas.



1. Retirar los reposapiés, véase **§3.3.1..**
2. Un auxiliar inclina levemente la silla de ruedas hacia atrás utilizando las empuñaduras.
3. El segundo auxiliar agarra la silla de ruedas en la parte delantera del bastidor, sujetando ambos lados de la silla de ruedas.
4. Se recomienda mantener la calma, evitar movimientos bruscos y no sacar los brazos de la silla de ruedas.
5. Ambos auxiliares elevan la silla de ruedas y la deslizan peldaño a peldaño mientras las ruedas traseras van bajando por ellos.
6. Después de usar las escaleras, montar los reposapiés en su sitio, véase sección **3.3.1..**

3.4.6. Superación de obstáculos

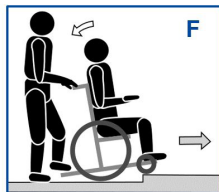
⚠ PRECAUCIÓN

Riesgo de volcado

- Si no se tiene suficiente experiencia manejando la silla de ruedas, pedir ayuda a un auxiliar.
- Asegurarse de que los reposapiés no chocan contra el suelo cuando esté atravesando un obstáculo.
- No utilizar la silla de ruedas en escaleras mecánicas.
- Si se dispone de él, abrocharse el cinturón de seguridad.

3.4.6.1. Bordillos bajos (subida o bajada)

Estos se pueden llevar adelante (E / F) con ayuda de un auxiliar, o par usuarios experimentados de sillas de ruedas.





1. El auxiliar aproxima la silla de ruedas de frente al bordillo. Asegurarse de que los reposapiés no toquen los bordillos.
2. Inclinar hacia atrás para reducir la presión sobre las ruedas delanteras.
3. El auxiliar sujeta las empuñaduras con firmeza al tiempo que va avanzando. Si hace falta, el auxiliar utilizará el tapón inclinador para mantener las ruedas delanteras elevadas hasta sobrepasar el bordillo.
4. El auxiliar va soltando poco a poco las empuñaduras y el tapón inclinador hasta que las ruedas delanteras tocan el suelo.
5. Después, el auxiliar sujeta las empuñaduras con firmeza mientras empuja la silla de ruedas para que las ruedas traseras suban/bajen el bordillo.

Un usuario experimentado puede negociar pequeños bordillos hacia adelante por sí mismo:

	<p>Bajar:</p> <ol style="list-style-type: none">1. Mantenga el equilibrio sobre las ruedas traseras para reducir la presión sobre las ruedas delanteras.2. Franquee el bordillo.
	<p>Subir:</p> <ol style="list-style-type: none">1. Acérquese hasta el bordillo.2. Inclínese hacia atrás de forma que mantenga el equilibrio sobre las ruedas traseras.3. Haga rodar las ruedas delanteras manteniendo el equilibrio sobre el bordillo.4. Inclínese hacia delante para mayor estabilidad.5. Haga rodar las ruedas traseras sobre el bordillo.

3.4.6.2. Bordillos de tamaño medio (subida o bajada)

Estos bordillos deben bajarse o subirse circulando hacia atrás con ayuda de un auxiliar:

	<ol style="list-style-type: none">1. El auxiliar pone la silla de ruedas marcha atrás para que las ruedas traseras se aproximen primero al bordillo (G/H).2. Bajar: Inclinarsse hacia delante (G) para mover el centro de gravedad hacia la parte delantera. Subir: El usuario se inclina hacia atrás (H) para mover el centro de gravedad hacia la parte trasera.3. El auxiliar tira cuidadosamente de la silla de ruedas para subir/bajar del bordillo.
	

3.4.6.3. Bordillos más altos

Para subir o bajar bordillos más altos, pero inferiores al tamaño máximo (véase sección 5.), contar con la ayuda de dos auxiliares.

Bajar:

1. Retirar los reposapiés.
2. El auxiliar aproxima la silla de ruedas de frente al bordillo.
3. Inclinarsse hacia atrás para reducir la presión sobre las ruedas delanteras.
4. Un auxiliar sujeta las empuñaduras con firmeza y utiliza el tapón inclinador para mantener las ruedas delanteras elevadas hasta sobrepasar el bordillo.
5. El otro auxiliar sujeta la parte delantera del bastidor y se mueve hacia atrás a medida que tira hasta que las ruedas traseras bajan del bordillo.
6. El primer auxiliar va soltando poco a poco las empuñaduras y el tapón inclinador hasta que las ruedas delanteras tocan el suelo.

Subir:

1. Retirar los reposapiés.
2. Un auxiliar pone la silla de ruedas marcha atrás para que las ruedas traseras se aproximen primero al bordillo.
3. El usuario se inclina hacia atrás para mover el centro de gravedad hacia la parte trasera.
4. El otro auxiliar sujeta la parte delantera del bastidor y se mueve hacia atrás a medida que empuja/tira hasta que las ruedas traseras suben al bordillo. El primer auxiliar eleva y sujeta con firmeza las empuñaduras para evitar que la silla de ruedas se vuelque.

4. Mantenimiento

- i** Un mantenimiento regular asegura que la silla de ruedas permanezca en perfecto estado. Para consultar el manual de mantenimiento, visitar el sitio web de Vermeiren: www.vermeiren.com.

4.1. Puntos de mantenimiento

⚠ PRECAUCIÓN

Riesgo de lesiones y daños

- Cualquier reparación o cambios sólo pueden llevarse a cabo por personal debidamente cualificado y sólo pueden utilizarse piezas de recambio Vermeiren originales.

- i** La última página de este manual contiene un formulario de registro para que el distribuidor especializado pueda registrar cada mantenimiento.

La frecuencia de los mantenimientos depende de la frecuencia e intensidad de uso. Póngase en contacto con su distribuidor para acordar un horario común para realizar inspecciones, mantenimientos y reparaciones.

4.1.1. Antes de cada uso

Inspeccionar los siguientes aspectos:

- Todas las piezas: Presentes y sin daños o desgastes.
- Todas las piezas: Limpieza, ver apartado **4.2.2.**
- Ruedas, respaldo, asiento, soportes para pantorrillas, reposabrazos, reposapiés: Bien asegurados.
- Estado de las ruedas/los neumáticos, ver apartado **4.2.1.**
- Estado de las piezas del bastidor: Sin deformaciones, inestabilidad, debilidad o conexiones sueltas.
- Asiento, respaldo, almohadillas para los brazos y para las pantorrillas, reposacabezas (si corresponde): Sin desgaste excesivo (como abolladuras, daños o grietas).
- Frenos: Sin deterioro y en buen estado de funcionamiento.

Póngase en contacto con el distribuidor especializado para posibles reparaciones o sustitución de piezas.

4.1.2. Anualmente o más regularmente

La silla de ruedas debe superar una inspección y una sesión de mantenimiento realizados por el distribuidor especializado por lo menos una vez al año, o con mayor frecuencia. La frecuencia mínima de mantenimiento depende del uso y debe, por tanto, acordarse mutuamente con el distribuidor especializado.

4.1.3. En caso de almacenamiento

Asegurarse de que la silla de ruedas se almacena en un lugar seco para evitar la aparición de moho y que se dañe la tapicería; ver también el apartado 5..

4.2. Instrucciones de mantenimiento

4.2.1. Ruedas y neumáticos

- i** El correcto funcionamiento de los frenos depende del estado de los neumáticos y puede cambiar debido al desgaste o la suciedad (agua, aceite, barro...).

Mantener las ruedas libres de cables, pelos, arena y fibras.

Comprobar el perfil de los neumáticos. Si la profundidad del dibujo es inferior a 1 mm, deben sustituirse los neumáticos. Ponerse en contacto con su distribuidor especializado a este respecto.

Hinchar cada neumático hasta alcanzar la presión correcta (ver la indicación de presión en los neumáticos).

Para las instrucciones sobre cómo sustituir los neumáticos, consultar el manual de instalación.

4.2.2. Limpieza

⚠ PRECAUCIÓN

Riesgo de daños por humedad

- No utilizar nunca una manguera o un limpiador a alta presión para limpiar la silla de ruedas.

Limpiar todas las piezas rígidas con un paño húmedo (no empapado). Si fuera necesario, utilizar un jabón suave que sea apto para limpiar superficies barnizadas y sintéticas.

La tapicería puede limpiarse con agua templada y jabón suave. No utilizar productos de limpieza abrasivos.

4.2.3. Desinfección

⚠ PRECAUCIÓN

Riesgo de daños

- La desinfección sólo puede llevarla a cabo personal debidamente cualificado. Consultar con su distribuidor especializado al respecto.

4.3. Resolución de problemas

Aunque se utilice la silla de ruedas de la manera indicada, a veces pueden surgir problemas técnicos. En ese caso, póngase en contacto con su distribuidor especializado.

⚠ AVISO

Riesgo de lesiones y daños

- No intentar NUNCA reparar la silla de ruedas por su cuenta.

Los siguientes signos pueden ser indicadores de un problema grave. Se recomienda, por tanto, ponerse en contacto con su distribuidor especializado si nota los siguientes problemas:

- Ruidos extraños;
- Desgaste desigual de la banda de uno de los neumáticos;
- Movimientos bruscos;
- La silla de ruedas se desvía a un lado;
- Ensamblajes de las ruedas dañados o rotos.

4.4. Vida útil prevista

La silla está diseñado para tener una vida media de 5 años. La vida útil aumentará o disminuirá dependiendo de la frecuencia de uso, las circunstancias de conducción y el mantenimiento.

4.5. Reutilizar

Antes de reutilizar la silla de ruedas, desinfectarla, inspeccionarla y hacer que pase por un mantenimiento según las instrucciones en el **§ 4.1.** y el **§ 4.2.**

4.6. Fin de vida útil

Al final de la vida útil, deberá desechar la silla de ruedas siguiendo las leyes medioambientales de su localidad. Para transportar materiales reciclables de la silla de ruedas de manera más cómoda, se recomienda que se desmonte primero.

4.7. Garantía

La garantía de este producto está sujeta a las condiciones generales de cada país.

5. Especificaciones técnicas

Los datos técnicos expuestos a continuación son solo válidos para esta silla de ruedas, con configuración estándar y en condiciones ambientales óptimas. Tener en cuenta estos datos durante la utilización de la silla para ducha. Los valores aquí expuestos dejarán de ser aplicables si el sillón ha sido modificado, se ha dañado, o sufre de un desgaste intenso.

Marca	Vermeiren
Grupo de productos	Silla de ruedas manual
Tipo	V300 XL
Descripción	Dimensiones
Peso máximo del usuario	170 kg
Longitud total	1085 mm
Anchura total	740 mm 770 mm 810 mm
Altura total	840 mm - 930 mm
Peso total	21 kg
Peso de la parte más pesada	13,35 kg
Peso de las piezas desmontables	1,75 kg
Reposapiés	1,8 kg
Reposabrazos	4,05 kg
Ruedas traseras	
Estabilidad estática en pendientes descendentes	6,5°
Estabilidad estática en pendientes ascendentes	6,5°
Estabilidad estática lateral	18°
Ángulo plano del asiento	0° - 10°
Profundidad útil del asiento	490 mm 510 mm 530 mm 550 mm
Anchura útil del asiento	530 mm 560 mm 600 mm
Nos reservamos el derecho a aplicar modificaciones técnicas. Tolerancia de la medida +- 15 mm/1,5 kg/1,5°	

Marca	Vermeiren
Grupo de productos	Silla de ruedas manual
Tipo	V300 XL
Descripción	Dimensiones
Altura de la superficie del asiento en la parte delantera	440 mm - 530 mm
Ángulo del respaldo	5°
Altura del respaldo	400 mm
Distancia entre el reposapiés y el asiento	400 mm - 500 mm
Ángulo de superficie de la pierna al asiento	105°
Ángulo de la paleta	80°
Distancia entre la almohadilla del reposabrazos y el asiento	220 mm - 240 mm
Ubicación delantera del armazón de la almohadilla del reposabrazos	410 mm
Ubicación horizontal del eje (deflexión)	1,27 mm - 61,04 mm
Radio de giro mínimo	1500 mm
Diámetro de ruedas traseras	22" 24"
Presión de los neumáticos, ruedas traseras	Máx. 3,5 bares
Diámetro de las ruedas delanteras	200 mm
Presión de los neumáticos, ruedas delanteras	Máx. 2,5 bares
Temperatura de uso	+5°C - +41°C
Humedad de almacenamiento y de uso	30% - 70%
Nos reservamos el derecho a aplicar modificaciones técnicas. Tolerancia de la medida +/- 15 mm/1,5 kg/1,5°	

Spis treści

Wstęp	169
1. Twój produkt	171
1.1. Opcje	172
2. Przed użyciem	172
2.1. Przewidziane zastosowanie i wskazania	172
2.2. Instrukcja bezpieczeństwa i związane z nimi zagrożenia	173
2.3. Symbole na wózku inwalidzkim	174
2.4. Transport	175
2.5. Składanie / Rozkładanie	175
2.6. Przechowywanie	177
3. Używanie wózka inwalidzkiego	177
3.1. Obsługa hamulców	177
3.2. Przechodzenie na / schodzenie z wózka inwalidzkiego	178
3.3. Regulacje elementów mających wpływ na wygodę użytkownika	179
3.4. Jazda na wózku inwalidzkim	183
4. Konserwacja	189
4.1. Czas konserwacji	189
4.2. Instrukcje konserwacji	191
4.3. Rozwiązywania problemów	192
4.4. Oczekiwany okres użytkowania	192
4.5. Ponowne użycie	193
4.6. Zakończenie użytkowania	193
4.7. Gwarancja	193
5. Parametry techniczne	194

Wstęp

Gratulacje! Jesteś teraz właścicielem wózka inwalidzkiego Vermeiren!

Wózek zbudował zespół złożony z wykwalifikowanych i zaangażowanych pracowników. Zaprojektowano go i wyprodukowano zgodnie z wysokimi standardami jakości, jakich przestrzega Vermeiren.

Dziękujemy za zaufanie firmie Vermeiren i jej produktom. Niniejsza instrukcja pomoże właścicielowi w eksploatacji wózka inwalidzkiego i korzystaniu z jego opcji. Prosimy o uważne przeczytanie instrukcji obsługi. Pozwoli ona na zapoznanie się z działaniem, możliwościami i ograniczeniami wózka inwalidzkiego.

W razie pytań, na które odpowiedzi nie ma w instrukcji, prosimy o kontakt z Państwem wyspecjalizowanym sprzedawcą. Sprzedawca chętnie służy pomocą.

Ważna uwaga

Aby zapewnić bezpieczeństwo i wydłużyć okres użytkowania produktu, prosimy o dbanie o niego oraz regularne dokonywanie przeglądów i serwisowanie.





Instrukcja obejmuje najnowsze rozwiązania zastosowane w produkcji. Firma Vermeiren ma prawo do wprowadzania zmian w produktach tego typu bez obowiązku adaptowania lub wymiany podobnych, poprzednio dostarczonych produktów.

Ilustracje produktu stanowią dodatkowe objaśnienia do instrukcji w niniejszym dokumencie. Szczegóły przedstawionego produktu mogą się różnić od rzeczywistego produktu posiadanego przez użytkownika.

Dostępne informacje

W naszej witrynie internetowej <http://www.vermeiren.com/> zawsze znajduje się najnowsza wersja informacji zamieszczonych w instrukcji. Prosimy regularnie odwiedzać witrynę, ponieważ możemy w niej zamieszczać zaktualizowane informacje.

Osoby z zaburzeniami wzroku mogą pobrać elektroniczną wersję niniejszej instrukcji i odsłuchać ją przy użyciu oprogramowania zamieniającego tekst na mowę.

	Instrukcja obsługi Dla użytkownika i wyspecjalizowanego sprzedawcy
	Instrukcje instalacji Dla wyspecjalizowanego sprzedawcy
	Podręcznik serwisowy do wózków inwalidzkich Dla wyspecjalizowanego sprzedawcy
	Deklaracja zgodności WE

1. Twój produkt



1. Uchwyty
2. Uchwyt poprzeczny
3. Oparcie
4. Poduszka podłokietnika
5. Podłokietniki
6. Siedzisko
7. Podnóżki
8. Płyty podnóżków
9. Przednie koła
10. Hamulce
11. Tyłne koła
12. Obręcze
13. Dźwignia przechylania
14. Krzyżak
15. Tabliczka znamionowa

1.1. Opcje

Informacji w tej kwestii udzieli wyspecjalizowany sprzedawca. Sprzedawca chętnie służy pomocą.

2. Przed użyciem

2.1. Przewidziane zastosowanie i wskazania

- Ten produkt jest wyrobem medycznym.
- Wskazania i przeciwwskazania: Użytkownik może napędzać wózek samodzielnie lub może być popychany przez opiekuna. Wózek inwalidzki jest przeznaczony dla osób starszych, mających trudności z chodzeniem lub nie mogących chodzić, które potrzebują większej szerokości siedziska niż 50 cm i/lub większej wagi użytkownika. **NIE WOLNO** używać wózka, jeśli użytkownik cierpi na zaburzenia fizyczne lub psychiczne, które mogłyby narazić użytkownika lub inne osoby na niebezpieczeństwo podczas jazdy wózkiem. Z wymienionych powodów należy przed rozpoczęciem użytkowania skutera zasięgnąć porady lekarza i upewnić się, że wyspecjalizowany sprzedawca zapoznał się z jego poradą.
- Niniejszy wózek inwalidzki jest przeznaczony do użytku w pomieszczeniach i na zewnątrz.
- Niniejszy wózek inwalidzki jest zaprojektowany i produkowany do transportu wyłącznie jednej (1) osoby ważącej maksymalnie 170kg. Nie jest przeznaczony do transportu towarów, przedmiotów ani innego wykorzystania niż wcześniej opisane.
- Używać wyłącznie akcesoriów i części zapasowych zatwierdzonych przez Vermeiren.
- Należy się zapoznać ze wszystkimi danymi technicznymi i ograniczeniami wózka inwalidzkiego, które wskazano w rozdziale 5..
- Gwarancja na produkt jest udzielona przy założeniu normalnego użytkowania i konserwacji, opisanych w niniejszej instrukcji. Uszkodzenie produktu spowodowane nieprawidłową eksploatacją lub brakiem konserwacji spowoduje unieważnienie gwarancji.

2.2. Instrukcja bezpieczeństwa i związane z nimi zagrożenia

UWAGA

Ryzyko obrażeń i/lub uszkodzeń

- Należy przeczytać zalecenia podane w niniejszej instrukcji i postępować zgodnie z nimi. Niestosowanie się do tych zaleceń może spowodować uraz lub uszkodzenie wózka inwalidzkiego.















Podczas użytkowania należy pamiętać o ostrzeżeniach ogólnych:

- Nie używać wózka, jeśli użytkownik jest pod wpływem alkoholu, leków i innych substancji, które mogą mieć wpływ na zdolność jazdy.
- Należy pamiętać, że niektóre części wózka mogą się mocno rozgrzewać lub ochładzać pod wpływem temperatury zewnętrznej, promieniowania słonecznego lub urządzeń grzewczych. Zachować ostrożność podczas dotykania. Nosić odzież ochronną podczas chłodnej pogody. Będąc na zewnątrz można założyć rękawice do jazdy, poprawiając chwytność obręczy napędowej.
- Nie dokonywać żadnych modyfikacji produktu.
- Jeśli opakowanie Twojego produktu zostało uszkodzone, (nieumyślnie) otwarte lub miało kontakt z niekorzystnymi warunkami środowiskowymi (wilgoć, ciepło itp.) podczas dostawy, sprawdź integralność urządzenia. W razie wątpliwości skontaktuj się ze swoim specjalistycznym sprzedawcą.

Korzystając z wózka inwalidzkiego musisz być świadomym, że w zależności od użytych ustawień może on kolidować z niektórymi systemami antykradzieżowymi. Może to spowodować uruchomienie alarmu w sklepie.

Każdy poważny incydent [MDR (UE) 2017/745 §2 (65)], który miał miejsce w związku z urządzeniem, powinien zostać zgłoszony wytwórcy oraz właściwemu organowi państwa członkowskiego, w którym użytkownik i/lub pacjent ma siedzibę.

2.3. Symbole na wózku inwalidzkim

	Oznaczenie typu
	Numer artykułu
	Numer seryjny
	Wyrób medyczne
	Producent
	Data produkcji
	Deklaracja zgodności
	Uwaga: ważna informacja
	Zaleca się przeczytanie instrukcji
	Ryzyko przycięcia
	Maksymalna masa użytkownika w kg
	Produkt przetestowany w zderzeniu; może być używany jako siedzenie w pojeździe silnikowym
	Nie jest przeznaczony do użytku jako fotel w pojeździe silnikowym
	Może być używany jako siedzenie w pojeździe silnikowym; oznaczenie do punktów zaczepienia

2.4. Transport

2.4.1. Transport w pojeździe jako bagaż

⚠ OSTRZEŻENIE

Ryzyko obrażeń

- Nie UŻYWAĆ wózka inwalidzkiego jako siedziska w pojeździe, patrz symbol obok.



- Należy upewnić się, że wózek inwalidzki jest prawidłowo umocowany. Pozwoli to zapobiec urazom pasażerów podczas kolizji lub gwałtownego hamowania.
 - NIGDY nie używaj jednego pasa bezpieczeństwa do zabezpieczenia pasażera i wózka inwalidzkiego.
1. Wymontuj podnóżki, podłokietniki i akcesoria.
 2. Umieść podnóżki, podłokietniki i akcesoria w bezpiecznym miejscu.
 3. Jeśli to możliwe, złóż wózek inwalidzki i zdejmij tylne koła.
 4. Umieść wózek inwalidzki w bagażniku.
 5. Jeśli wózek NIE znajduje się w przedziale bagażowym oddzielnym od kabiny pasażerów, dokładnie umocuj ramę wózka inwalidzkiego do pojazdu. Możesz skorzystać z nieużywanych pasów bezpieczeństwa.

2.5. Składanie / Rozkładanie

⚠ UWAGA

Ryzyko obrażeń

- Trzymaj palce w bezpiecznej odległości od ruchomych części wózka inwalidzkiego.

2.5.1. Rozkładanie wózka inwalidzkiego

1. Stań za wózkiem inwalidzkim.
2. Trzymając za uchwyty, maksymalnie rozłóż wózek.
3. Stań przed wózkiem inwalidzkim.
4. Dociśnij obie rurki siedziska w dół, aż zostaną zablokowane na pozycjach.
5. Zamontować uchwyt poprzeczny (patrz §3.3.4.).

2.5.2. Składanie wózka inwalidzkiego

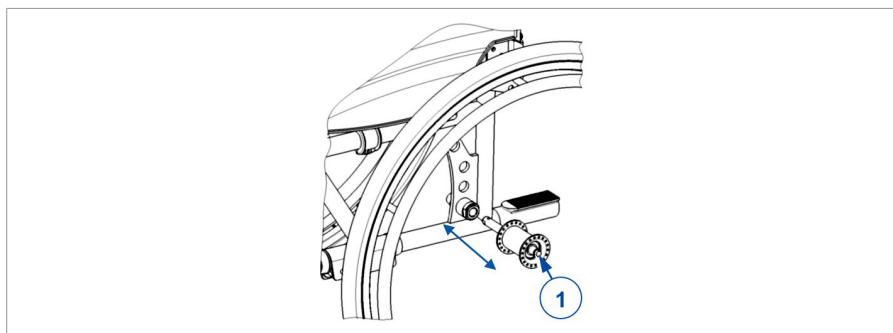
1. Złóż płyty podnózek lub wymontuj podnózek (patrz § 3.3.1.).
2. Zdejmij uchwyt poprzeczny (patrz §3.3.4.).
3. Chwyć siedzenie za przód i oparcie, a następnie pociągnij w górę.

2.5.3. Montaż kół tylnich

1. Chwyć tylne koło i naciśnij przycisk (1).
2. Przytrzymując wciśnięty przycisk, nałóż oś tylnego koła aż do zablokowania.
3. Zwolnij przycisk.
4. Sprawdź, czy koło jest bezpiecznie zamocowane.

2.5.4. Zdejmowanie tylnych kół

1. Upewnij się, że hamulce są zwolnione.
2. Przejdź na stronę wózka, z której chcesz zdjąć koło.
3. Naciśnij przycisk pośrodku osi koła.
4. Zdejmij koło z ramy.



2.6. Przechowywanie

⚠ UWAGA

Ryzyko uszkodzenia

- Wózek inwalidzki powinien być przechowywany w suchym środowisku, aby zapobiec tworzeniu się na nim pleśni i uszkodzeniu tapicerki, patrz też rozdział 5..

3. Używanie wózka inwalidzkiego

⚠ OSTRZEŻENIE

Ryzyko obrażeń

- Zacząć od przeczytania poprzednich rozdziałów i zaznajomienia się z przewidzianym zastosowaniem. NIE używać wózka inwalidzkiego, dopóki wszystkie instrukcje nie zostaną przeczytane i zrozumiane.
- W razie wątpliwości i pytań prosimy o kontakt z lokalnym wyspecjalizowanym sprzedawcą, opiekunem lub doradcą technicznym, który udzieli pomocy.

3.1. Obsługa hamulców

⚠ UWAGA

Ryzyko obrażeń

- Hamulce nie służą do spowalniania wózka inwalidzkiego w trakcie ruchu. Należy ich używać wyłącznie, aby nie dopuścić do niepożądanych ruchów wózka.
- Na prawidłową pracę hamulców wpływ ma zużycie oraz zanieczyszczenie ogumienia (woda, olej, błoto, ...). Należy sprawdzać stan ogumienia przed każdym użyciem.
- Hamulce są regulowane i mogą ulec zużyciu. Należy sprawdzać stan hamulców przed każdym użyciem.
- przed zwolnieniem hamulców należy upewnić się, że wózek inwalidzki znajduje się na płaskiej, poziomej powierzchni. Nigdy nie zwalnij obu hamulców jednocześnie.

3.1.1. Zaciąganie hamulców:

1. Należy popchnąć dźwignie hamulców w przód, aż da się słyszeć wyraźne kliknięcie.

3.1.2. Aby zwolnić hamulce:

1. Zwolnij jeden hamulec, pociągając dźwignię w tył.
2. Przytrzymaj dłonią obręcz zwolnionego koła.
3. Powtórz z drugim kołem i hamulcem postojowym.

3.2. Przechodzenie na / schodzenie z wózka inwalidzkiego

UWAGA

Ryzyko obrażeń i uszkodzeń

- Jeśli nie można przeprowadzić transferu w bezpieczny sposób, należy poprosić kogoś o pomoc.
- Nie wolno stawać na płytach podnóżka.

3.2.1. Przesiadanie się

1. Ustaw wózek jak najbliżej krzesła, kanapy bądź łóżka, na które chcesz wsiąść.
2. Zaciśnij oba hamulce postojowe, aby uniemożliwić przemieszczenie, patrz § 3.1..
3. Złóż płyty podnóżek lub wymontuj podnóżek (patrz § 3.3.1.).
4. Jeśli przemieszczanie zachodzi w poprzek wózka należy zdemonstrować podłokietnik po tej stronie wózka po z której będzie wykonywana czynność schodzenia z wózka (patrz § 3.3.2.).
5. Przenieść się do / z wózka inwalidzkiego używając siły ramion lub korzystając z pomocy pomocnika (pomocników) lub urządzenia do podnoszenia.

3.2.2. Siadanie na wózku inwalidzkim

Zalecenia dotyczące wygodnego korzystania z wózka inwalidzkiego:

- Siedz na siedzisku tak, aby dolna część pleców opierała się o oparcie.
- Upewnij się, że uda ułożone są w poziomie - w razie potrzeby dostosuj długość podnóżków (patrz instrukcja instalacji).

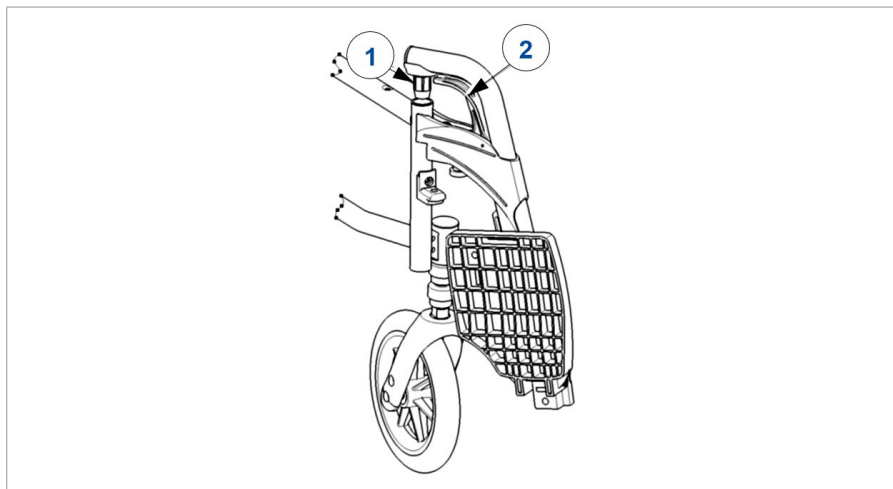
3.3. Regulacje elementów mających wpływ na wygodę użytkownika

UWAGA

Ryzyko obrażeń i uszkodzeń

- Następujące regulacje elementów mających wpływ na wygodę użytkownika może przeprowadzać asystent lub pomocnik. Wszystkie inne regulacje wykonuje nasz wyspecjalizowany sprzedawca, postępując zgodnie z instrukcją instalacji, patrz wstęp.
- Należy zawsze zwracać uwagę na zakres obrotu płyty podnóżka, aby nie spowodować obrażeń ciała osób w pobliżu czy uszkodzenia przedmiotów.
- Upewnić się, że podczas regulacji palce, ubrania, klamry itp. nie zostaną pochwycone i nie zakleszczą się między częściami.

3.3.1. Montaż i demontaż podnóżków



3.3.1.1. Montaż podnóżków

1. Przytrzymaj podnóżek w poprzek po zewnętrznej stronie ramy wózka i zamontuj rurkę (1) w ramie.
2. Należy obrócić podnóżek do wewnątrz, aż wskoczy na swoje miejsce.
3. Obrócić płytę podnóżka w dół.

3.3.1.2. Demontaż podnóżków

1. Pociągnąć za dźwignię (2).
2. Obrócić podnóżek na zewnątrz wózka, aż uwolni się z ograniczników.
3. Wyciągnij rurkę podnóżka z ramy (1).

3.3.2. Montaż i demontaż podłokietników

⚠ UWAGA

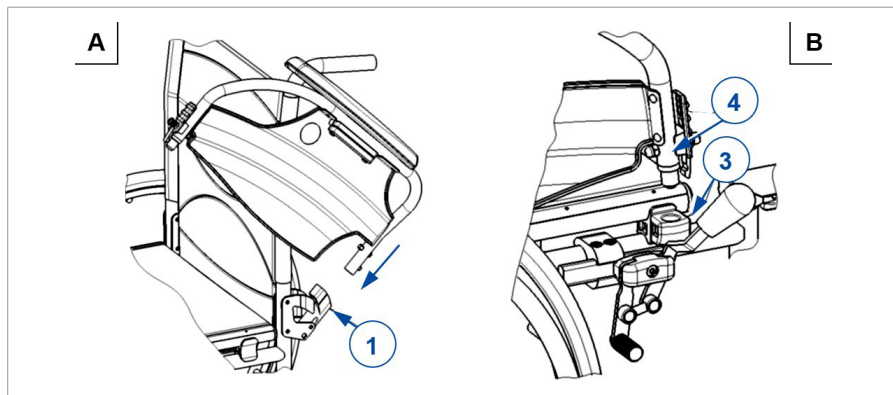
Ryzyko obrażeń

- Nie zbliżaj palców, klamry ani ubrania do dolnej części podłokietnika.

3.3.2.1. Montaż podłokietników

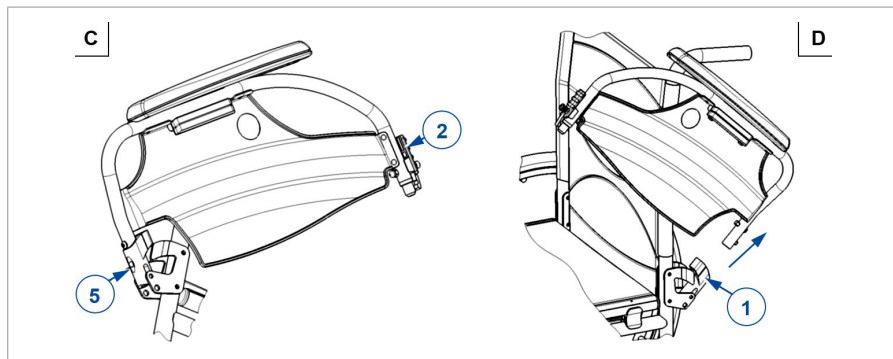
1. Zamontuj tylną rurkę podłokietnika w ramie (1). (Rys. A)
2. Upewnić się, że podłokietnik zatrzaskuje się w mechanizmie blokującym.

3. Zegnij podłokietnik do przodu.
4. Zamocuj przednią rurkę podłokietnika (4) w ramie (3). (Rys. B)



3.3.2.2. Rozkładanie i zdejmowanie podłokietników

1. Naciśnij dźwignię (2) i pociągnij przód podłokietnika w górę. (Rys. C)
2. Odchyl podłokietniki w tył.
3. Aby wymontować podłokietniki, naciśnij przycisk (5) i wyciągnij tylną część podłokietnika z ramy (1). (Rys. C i D)



3.3.3. Regulacja zabezpieczenia przed przewróceniem (jeśli dotyczy)

Regulacja wysokości zabezpieczenia przed przewróceniem jedno z 7 położeń (zakres 120 mm: skokowo co 20 mm):

1. Poluźnij śrubę (1) .
2. Ustaw rurkę zabezpieczenie przed przewróceniem w odpowiedniej wysokości.
3. Dokręć pokrętło.
4. Sprawdź, czy zabezpieczenie przed przewróceniem jest odpowiednio zamontowane.

3.3.4. Montaż i demontaż uchwyty poprzecznego

⚠ OSTRZEŻENIE

Ryzyko obrażeń

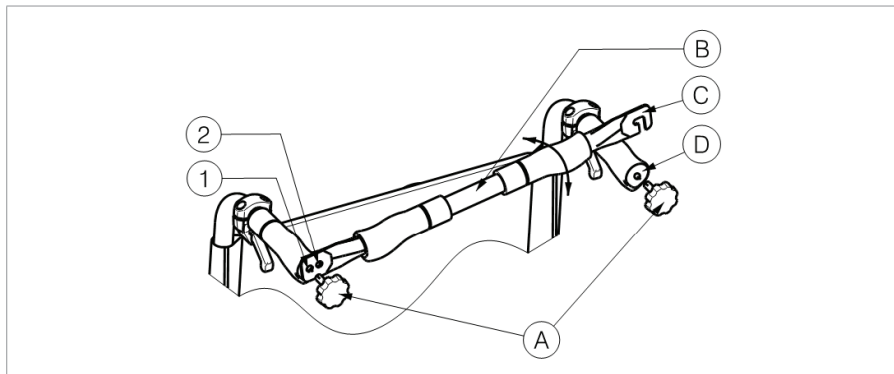
- Należy upewnić się, że przycisk (A) są odpowiednio dokręcone.
- W przypadku, gdy wózek został wyposażony w drążek poprzeczny powinien on być zawsze zamontowany aby zwiększyć stabilność oparcia.

3.3.4.1. Aby zamontować uchwyt poprzeczny

1. Zamontuj uchwyt poprzeczny (B) za pomocą pokrętła (A) do lewego uchwyty.
2. Przechyl uchwyt poprzeczny (B) w prawą stronę.
3. Przymocuj zaczep (C) do prawego uchwyty (D) tak jak na rysunku. Użyj otworów (1) do (2) wyregulowania ustawienia odpowiedniego napięcia oparcia.

3.3.4.2. Aby zdemontować drążek poprzeczny

1. Odkręć pokrętło (A) przy prawym uchwycie.
2. Zdejmij zaczep (C) z prawego uchwyty (D).



3.4. Jazda na wózku inwalidzkim

i Zależnie od stanu zdrowia i typu wózka, możesz jechać samodzielnie lub poprosić asystenta, aby pchał wózek.

⚠ UWAGA

Ryzyko przycięcia

- Uważać, aby nie włożyć palców do szprych koła.
- Uważać zablokowanie rąk na obręczy napędowej przejeżdżając przez wąskie przejścia.
- Gdy jedziesz z asystentem, trzymaj ręce z dala od kół, a stopy trzymaj na podpórkach.

⚠ UWAGA

Ryzyko obrażeń i uszkodzeń

- NIE przejeżdżać po stromych nachyleniach, przeszkodach, stopniach lub krawężnikach większych, niż określono w § 5..
- Nie zjeżdżaj wózkiem na jezdnię. Zawsze pozostawaj na chodniku.
- Nie obsługiwaj obręczy napędowej mokrymi rękami.
- Zwracać uwagę, czy na drodze nie ma dziur ani szczelin, w których koła mogą zostać uwięzione.
- Unikać kamieni i innych obiektów, które mogą zablokować koła.
- Należy zawsze zwracać uwagę na zakres obrotu płyty podnóżka, aby nie spowodować obrażeń ciała osób w pobliżu czy uszkodzenia przedmiotów.

- Przed każdym użyciem należy się upewnić, że:
 - wszystkie części są prawidłowo i mocno zamocowane, patrz §3.3..
 - hamulce postojowe działają prawidłowo.
 - opony są w dobrym stanie technicznym, patrz §4.2.1..

3.4.1. Jazda z asystentem

1. Zwolnij hamulce postojowe lub niech zwolni je asystent, który w tym czasie przytrzymuje wózek, aby się nie poruszył, patrz §3.1..
2. Asystent łapie za rączki lub pałąk do pchania, aby pchać wózek w żądanym kierunku.
3. Po zatrzymaniu zaciśnij hamulce, trzymając wózek, patrz §3.1..

3.4.2. Jazda samodzielna

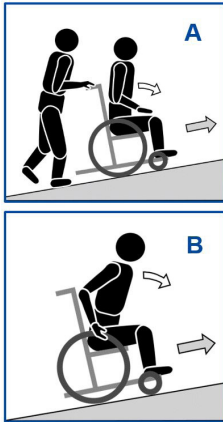
1. Zwolnij hamulce postojowe, najpierw jeden, potem drugi, patrz §3.1..
2. Połóż dłonie w najwyższym położeniu na obu ciągach.
3. Pochylić się do przodu i popchnąć obręcz napędowe do przodu do momentu wyprostowania rąk.
4. Luźno odchyl ramiona do tyłu do szczytu ciągów i powtórz ruch pchania.
5. Aby się zatrzymać: poczekaj, aż wózek się zatrzyma i podjedź do przodu/do tyłu, odpowiednio operując ciągami. Zwolnij hamulce postojowe, patrz §3.1..

3.4.3. Jazda po wzniesieniach

UWAGA

Ryzyko obrażeń

- Jeśli asystent nie ma siły, aby kontrolować wózek, od razu zatrzymaj się i zablokuj hamulce.
- Zatrzymując się na (małym) nachyleniu należy użyć hamulców.



1. Przypnij się w wózku pasem bezpieczeństwa.
2. Poproś asystenta lub kogoś innego o pomoc.
3. Jedź powoli i w prostej linii. Gdy wjeżdżasz pod górę, lekko pochyl się do przodu (A/B). Gdy zjeżdżasz ze wzniesienia, odchyl się do tyłu w kierunku oparcia.
4. Nigdy nie zawracać na wzniesieniu.

3.4.4. Korzystanie z ramp

⚠ UWAGA

Ryzyko przewrócenia

- Używaj wyłącznie ramp zaakceptowanych przez Vermeiren. Nie przekraczaj ich maksymalnego obciążenia.
 - Upewnij się, że wózek nie jest wychylony tak, aby dotykał podłoża lub rampy.
 - Rampy pokonuj wyłącznie przy pomocy jednego lub dwóch asystentów.
1. Dopasuj położenie oparcia, siedziska i podnóżka, aby zmniejszyć miejsce zajmowane przez wózek i zwiększyć stabilność podczas jazdy w pochyleniu.
 2. Wymywanie podnóżków, patrz §3.3.1..
 3. Postępuj zgodnie z instrukcjami w §3.4.3..

3.4.5. Jazda po schodach

⚠ UWAGA

Ryzyko przewrócenia

- Stopnie należy pokonywać zawsze przy pomocy dwóch pomocników.
- Nie próbować korzystać ze schodów, które nie są przystosowane do wózków inwalidzkich.



1. Wyjmowanie podnóżków, patrz §3.3.1..
2. Jeden z asystentów lekko odchyła wózek do tyłu, trzymając za rączki.
3. Drugi asystent chwyta wózek za przednią część ramy, po obu stronach wózka.
4. Zachowaj spokój, unikaj gwałtownych ruchów, trzymaj ręce wewnątrz wózka.
5. Asystenci podnoszą i ciągną wózek stopień po stopniu, przetaczając tylne koła po stopniach.
6. Po staniu na płaskim podłożu, ponownie zamontować podnóżki, patrz §3.3.1..

3.4.6. Jazda przez przeszkody

UWAGA

Ryzyko przewrócenia

- W przypadku braku doświadczenia w poruszaniu się wózkiem inwalidzkim należy poprosić o pomoc drugiej osoby.
- Upewnić się, że płyty podnóżka nie dotykają podłoża podczas pokonywania przeszkody.
- Nie korzystać z wózka inwalidzkiego w windzie.
- Jeżeli to możliwe, zapinać pas bezpieczeństwa.

3.4.6.1. Małe krawężniki (wjeżdżanie i zjeżdżanie)

Można je pokonać przodem (E / F) przy pomocy jednego asystenta lub przez doświadczonych użytkowników wózków inwalidzkich.



1. Asystent przysuwa przodem wózek do krawężnika. Upewnij się, że podpórki pod stopy nie dotykają krawężnika.
2. Odchyl się do tyłu, aby zmniejszyć nacisk na przednie koła.
3. Asystent mocno trzyma ręczki, jadąc do przodu. W razie konieczności może użyć dźwigni przechyłu, aby utrzymywać przednie koła w górze, aż miną brzeg krawężnika.
4. Asystent zwalnia nacisk na ręczki i dźwignię przechyłu, aby delikatnie postawić przednie koła na ziemi.
5. Następnie mocno trzyma ręczki, popychając tylne koła wózka na krawężnik/z krawężnika.

Praktykowany użytkownik może samodzielnie pokonywać małe krawężniki:



Zjeżdżanie:

1. Utrzymaj równowagę na kołach tylnych, aby zmniejszyć nacisk na koła przednie.
2. Pokonaj krawężnik.





Wjeżdżanie:

1. Podjedź do krawężnika.
2. Odchyl się w tył, utrzymując równowagę na tylnych kołach.
3. Wjedź przednimi kołami na krawężnik.
4. Pochyl się do przodu, aby ustabilizować wózek.
5. Wjedź tylnymi kołami na krawężnik.



3.4.6.2. Średnie krawężniki (wjeżdżanie i zjeżdżanie)

Należy je pokonywać tyłem przy pomocy jednego asystenta:

	<ol style="list-style-type: none">1. Asystent odwraca wózek tyłem, aby podjechać do krawężnika tylnymi kołami (G / H).2. Zjeżdżanie: Pochyl się do przodu (G), aby przenieść środek ciężkości w przód. Wjeżdżanie: Odchyl się do tyłu (H), aby przenieść środek ciężkości w tył.3. Asystent delikatnie przeciąga wózek z krawężnika/na krawężnik.
	

3.4.6.3. Wyższe krawężniki

Krawężniki wyższe, ale nieprzekraczające maksymalnej wielkości, patrz §5., powinno się pokonywać przy pomocy dwóch asystentów.

Zjeżdżanie:

1. Zdejmij podnóżki.
2. Asystent przysuwa przodem wózek do krawężnika.
3. Odchyl się do tyłu, aby zmniejszyć nacisk na przednie koła.
4. Asystent mocno trzyma ręczki i używa dźwigni przechyłu, aby utrzymać przednie koła w górze, aż miną brzeg krawężnika.
5. Drugi asystent trzyma przód ramy i się cofa, ściągając tylne koła z krawężnika.
6. Asystent zwalnia nacisk na ręczki i dźwignię przechyłu, aby delikatnie postawić przednie koła na ziemi.

Wjeżdżanie:

1. Zdejmij podnóżki.
2. Pierwszy asystent odwraca wózek tyłem, aby podjechać do krawężnika tylnymi kołami.
3. Odchyl się do tyłu, aby przenieść środek ciężkości w tył.
4. Drugi asystent trzyma przód ramy i przesuwa się do przodu, przeciągając/wpychając tylne koła na krawężnik. Pierwszy asystent podnosi i mocno trzyma ręczki, aby zapobiec przewróceniu się wózka.

4. Konserwacja

- i** Regularna konserwacja zapewnia utrzymanie pełnej sprawności wózka inwalidzkiego. Instrukcję konserwacji można znaleźć w witrynie Vermeiren: www.vermeiren.com.

4.1. Czas konserwacji

⚠ UWAGA

Ryzyko obrażeń i uszkodzeń

- Naprawy i wymiana części mogą być przeprowadzane tylko i wyłącznie przez przeszkolone osoby i przy użyciu tylko oryginalnych części zamiennych Vermeiren.
- i** Na ostatniej stronie instrukcji znajduje się formularz dla wyspecjalizowanego sprzedawcy, służący do odnotowywania wszystkich czynności serwisowych. Częstotliwość serwisowania zależy od częstotliwości i intensywności użytkowania. Skontaktować się z dystrybutorem celem uzgodnienia harmonogramu inspekcji / konserwacji / naprawy.

4.1.1. Przed każdym użyciem

Przejrzeć następujące punkty:

- Wszystkie części: Obecne, nie uszkodzone i nie zużyte.
- Wszystkie części: Wyczyścić, patrz § 4.2.2..
- Koła, oparcie, siedzisko, podparcie łydki, podłokietnik, płyty podnóżka: Dobrze zabezpieczone.
- Stan kół/opon, patrz §4.2.1..
- Stan części ramy: Brak deformacji, niestabilność, słabe lub luźne połączenia.
- Siedzisko, oparcie, podpórki ramion, podpórki łydek i oparcia (jeżeli dotyczy): Brak nadmiernego zużycia (punkty wgniecień, uszkodzenia lub rozerwania).
- Hamulce: Nieuszkodzone i sprawne.

Skontaktować się ze specjalistycznym dystrybutorem pod kątem ewentualnych napraw lub wymiany.

4.1.2. Raz w roku lub częściej

Co najmniej raz w roku lub częściej zlecać kontrolę i serwisowanie wózka inwalidzkiego wykwalifikowanemu dystrybutorowi. Minimalna częstotliwość konserwacji jest uzależniona od użytkowania i należy ją uzgodnić z wykwalifikowanym dystrybutorem.

4.1.3. W przypadku przechowywania

Wózek inwalidzki powinien być przechowywany w suchym środowisku, aby zapobiec tworzeniu się na nim pleśni i uszkodzeniu tapicerki, patrz też rozdział 5..

4.2. Instrukcje konserwacji

4.2.1. Koła i opony

- i** Odpowiednie działanie hamulców jest uzależnione od stanu opon i może się zmieniać ze względu na zużycie i zanieczyszczenie (woda, olej, błoto, ...)

Usuwać z kół druty, włosy, piasek i włókna.

Sprawdzić profil opon. Jeżeli głębokość bieżnika jest mniejsza, niż 1 mm, opony należy wymienić. W tej sprawie należy skontaktować się z specjalistycznym dystrybutorem.

Napompować każdą pneumatyczną oponę odpowiednim ciśnieniem (patrz informacja odnośnie ciśnienia na oponach).

Instrukcje dotyczące wymiany opon można znaleźć w instrukcji instalacji.

4.2.2. Czyszczenie

⚠ UWAGA

Ryzyko uszkodzenia przez wilgoć.

- Do czyszczenia wózka inwalidzkiego nie wolno nigdy stosować węża ani myjki ciśnieniowej.

Wyrzeć wszystkie sztywne części wilgotną szmatką (nie wykręconą). W razie konieczności użyć łagodnego mydła, odpowiedniego do lakierów i materiałów syntetycznych.

Tapicerkę można czyścić letnią wodą i łagodnym mydłem. Do czyszczenia nie używać szorstkich środków czyszczących.

4.2.3. Dezynfekcja

⚠ UWAGA

Ryzyko uszkodzenia

- Dezynfekcja może być przeprowadzana tylko przez przeszkolone osoby. Skonsultować się ze specjalistycznym dystrybutorem.

4.3. Rozwiązywania problemów

Nawet w przypadku prawidłowego korzystania z wózka może wystąpić problem techniczny. W takim przypadku należy skontaktować się z lokalnym specjalistycznym dystrybutorem.

⚠ OSTRZEŻENIE

Ryzyko obrażeń i uszkodzeń

- NIGDY nie podejmować prób samodzielnej naprawy wózka inwalidzkiego.

Poniższe symptomy mogą oznaczać poważny problem. Dlatego też w przypadku zauważenia poniższych niezgodności należy zawsze skontaktować się ze specjalistycznym dystrybutorem.

- Dziwne dźwięki;
- Nierównomierne zużycie bieżnika opon;
- Szarpane ruchy;
- Wózek inwalidzki ściąga na jedną stronę;
- Uszkodzone lub pęknięte zespoły koła.

4.4. Oczekiwany okres użytkowania

Wózek inwalidzki jest zaprojektowany tak, aby jego średnia długość życia wynosiła 5 lat. Ten czas może być dłuższy lub krótszy, zależnie od częstotliwości korzystania, warunków jazdy i konserwacji wózka inwalidzkiego.

4.5. Ponowne użycie

Przed każdym ponownym użyciem wózek inwalidzki należy zdezynfekować, skontrolować i poddać konserwacji zgodnie z instrukcjami w § 4.1. i § 4.2..

4.6. Zakończenie użytkowania

Po zakończeniu okresu użytkowania należy poddać wózek inwalidzki utylizacji, zgodnie z lokalnymi przepisami ochrony środowiska. Najlepszym sposobem jest demontaż wózka inwalidzkiego, aby ułatwić transport części poddawanych utylizacji.

4.7. Gwarancja

Gwarancja na produkt podlega ogólnym warunkom każdego kraju.

5. Parametry techniczne

Parametry techniczne zamieszczone poniżej dotyczą tylko tego wózka inwalidzkiego, przy standardowych ustawieniach i optymalnych warunkach otoczenia. Podczas użytkowania należy uwzględnić te dane. Wartości będą nieważne, jeśli fotel zostanie zmodyfikowany, uszkodzony lub w dużym stopniu zużyty.

Marka	Vermeiren
Grupa produktów	Ręczny wózek inwalidzki
Typ	V300 XL
Opis	Wymiary
Maksymalna waga użytkownik	170 kg
Długość całkowita	1085 mm
Łączna szerokość	740 mm 770 mm 810 mm
Łączna wysokość	840 mm - 930 mm
Ciężar całkowity	21 kg
Masa najcięższej części	13,35 kg
Masy demontowalnych części	1,75 kg
Podnóżki	1,8 kg
Podłokietniki	4,05 kg
Tyłne koła	
Stabilność statyczna przy pochyłości	6,5°
Stabilność statyczna pod górę	6,5°
Stabilność statyczna w poprzek	18°
Kąt nachylenia siedziska	0° - 10°
Głębokość użytkowa siedziska	490 mm 510 mm 530 mm 550 mm
Producent zastrzega sobie prawo do wprowadzania zmian parametrów technicznych. Tolerancja pomiarów +/- 15 mm / 1,5 kg / 1,5°	

Marka	Vermeiren
Grupa produktów	Ręczny wózek inwalidzki
Typ	V300 XL
Opis	Wymiary
Szerokość użytkowa siedziska	530 mm 560 mm 600 mm
Wysokość przedniej krawędzi siedziska	440 mm - 530 mm
Kąt oparcia	5°
Wysokość oparcia	400 mm
Odległość od siedzenia do podpórki pod stopy	400 mm - 500 mm
Kąt ustawienia nogi do powierzchni siedziska	105°
Kąt podpórki pod stopy	80°
Odległość poduszka podłokietnika od siedziska	220 mm - 240 mm
Przednia pozycja konstrukcji osłony poduszka podłokietnika	410 mm
Pozycja osi w poziomie (odchył)	1,27 mm - 61,04 mm
Minimalny promień skrętu	1500 mm
Średnica kół tylnych	22" 24"
Ciśnienie w oponie tylne koła	(Maksymalnie 3,5 bara)
Średnica kół przednich	200 mm
Ciśnienie przednich oponach	Maksymalnie 2,5 bara
Temperatura użytkowania	+5°C - +41°C
Wilgotność powietrza do przechowywania i użytkowania	30% - 70%
Producent zastrzega sobie prawo do wprowadzania zmian parametrów technicznych. Tolerancja pomiarów +/- 15 mm / 1,5 kg / 1,5°	

Obsah

Předmluva	197
1. Tento výrobek	199
1.1. Doplnky	200
2. Před použitím	200
2.1. Určené použití a indikace	200
2.2. Bezpečnostní pokyny a příslušná rizika	201
2.3. Symboly na invalidním vozíku	202
2.4. Přeprava	203
2.5. Složení a rozložení	203
2.6. Skladování	204
3. Použití invalidního vozíku	205
3.1. Ovládání brzd	205
3.2. Přemístění na invalidní vozík a z něho	206
3.3. Úpravy komfortu	206
3.4. Jízda v invalidním vozíku	210
4. Údržba	216
4.1. Body údržby	216
4.2. Pokyny pro údržbu	218
4.3. Řešení problémů	219
4.4. Očekávaná životnost	219
4.5. Znovupoužití výrobku	219
4.6. Konec používání	220
4.7. Záruka	220
5. Technické údaje	220

Blahopřejeme! Nyní jste vlastníkem invalidního vozíku Vermeiren!

Tento invalidní vozík byl vyroben pečlivými pracovníky s kvalifikací. Navíc byl navržen a vyroben podle vysokých standardů kvality, nad nimiž dohlíží společnost Vermeiren.

Děkujeme za Vaši důvěru ve výrobky společnosti Vermeiren. Tento návod slouží k tomu, aby vám pomáhal s použitím tohoto invalidního vozíku a jeho provozních možností. Řádně si jej přečtěte; pomůže vám seznámit se s provozem, schopnostmi a omezeními tohoto invalidního vozíku.

Máte-li po přečtení tohoto návodu nějaké dotazy, obraťte se bez obav na svého odborného prodejce. Rád vám pomůže.

Důležitá poznámka

Aby byla zajištěna vaše bezpečnost a prodloužena životnost tohoto výrobku, věnujte mu řádnou péči a nechávejte jej pravidelně kontrolovat a opravovat.





Tento návod obsahuje nejnovější verzi produktu. Společnost Vermeiren má právo provádět změny tohoto typu výrobku, aniž by byla povinná upravit nebo nahradit podobné výrobky, které již byly dodány.

Obrázky výrobku slouží pouze k upřesnění pokynů v tomto návodu. Detaily výrobku na obrázcích se mohou od daného výrobku lišit.

Dostupné informace

Nejnovější verzi informací z tohoto návodu vždy naleznete na našich webových stránkách <http://www.vermeiren.com/>. Tyto webové stránky pravidelně navštěvujte pro případné aktualizace.

Osoby se zrakovým postižením si mohou stáhnout elektronickou verzi tohoto návodu, kterou jim může přečíst softwarová aplikace text-to-speech.

	Návod k obsluze Pro uživatele a odborného prodejce
	Návod k instalaci Pro odborného prodejce
	Servisní příručka pro invalidní vozíky Pro odborného prodejce
	Prohlášení o shodě (ES)

1. Tento výrobek



1. Madla
2. Tlačná tyč
3. Zádová opěrka
4. Područky
5. Loketní opěrky
6. Sedadlo
7. Podnožky
8. Stupačky
9. Přední kola
10. Brzdy
11. Zadní kola
12. Poháněcí obruče
13. Zvedací páka
14. Kříž
15. Identifikační štítek

1.1. Doplnky

Informace o doplňcích můžete získat od specializovaného prodejce. Velmi rád vám poradí.

2. Před použitím

2.1. Určené použití a indikace

- Tento výrobek je zdravotnický zařízením.
- Indikace a kontraindikace: Uživatel může invalidní vozík pohánět vlastníma rukama, nebo se nechat tlačit asistentem. Invalidní vozík je určen pro starší osoby nebo osoby s potížemi při chůzi nebo s nemožností chůze, které potřebují větší šířku sedadla než 50 cm a/ nebo vyšší hmotnost uživatele. Tento invalidní vozík **NESMÍTE** použít, pokud trpíte tělesnou nebo duševní poruchou, která by mohla vás či jiné osoby ohrozit během jízdy na invalidním vozíku. Z tohoto důvodu se nejprve obraťte na lékaře a zajistěte, aby byl odborný prodejce informován o jeho posudku.
- Tento invalidní vozík je vhodný pro domácí a venkovní použití.
- Tento invalidní vozík je konstruován a vyroben výhradně k přepravě/ přemístění jedné (1) osoby o max. hmotnosti 170 kg. Není konstruován pro přepravu zboží či předmětů ani pro jakýkoli jiný účel, než je popsán výše.
- Používejte pouze příslušenství a náhradní díly schválené společností Vermeiren.
- Přečtěte si všechny technické detaily a omezení tohoto invalidního vozíku v kapitole 5..
- Záruka na tento výrobek je založena na běžném použití a údržbě, jak je to popsáno v tomto návodu. V případě poškození výrobku způsobeného nesprávným použitím či absencí údržby tato záruka zanikne.

2.2. Bezpečnostní pokyny a příslušná rizika

POZOR

Riziko zranění anebo poškození

- Přečtěte si pokyny v tomto návodu a postupujte podle nich. Jinak může dojít k vašemu zranění nebo k poškození invalidního vozíku.















Při použití mějte na paměti následující obecná upozornění:

- Tento invalidní vozík nepoužívejte, jste-li pod vlivem alkoholu, léků či jiných látek, které by mohly ovlivnit vaše schopnosti jeho řízení.
- Mějte na paměti, že určité části invalidního vozíku mohou být velmi teplé nebo studené vlivem okolní teploty, slunečního záření či topných těles. Při dotýkání buďte opatrní. Při chladném počasí používejte ochranný oděv. Při jízdě venku je možné používat speciální rukavice, které zlepšují úchop ručních ráfků.
- Tento výrobek nijak neupravujte.
- Pokud byl obal vašeho výrobku při dodání poškozen, (neúmyslně otevřen nebo ovlivněn okolními podmínkami (vlhkost, teplo,...), zkontrolujte, že nedošlo k poškození žádné části výrobku. V případě pochybností se obraťte na svého specializovaného prodejce.

Berte na vědomí, že vaše invalidní vozík může v závislosti na použitém nastavení ovlivňovat některé typy systémů proti krádeži. To může zapříčinit spuštění alarmu v obchodu.

Jakýkoli závažný incident [MDR (EU) 2017/745 §2 (65)], k němuž došlo ve spojitosti s tímto zařízením, musí být oznámen jeho výrobcem a příslušnému orgánu členského státu, ve kterém je uživatel anebo pacient etablován.

2.3. Symboly na invalidním vozíku

	Typové označení
	Katalogové číslo
	Sériové číslo
	Zdravotnické zařízení
	Výrobce
	Datum výroby
	Prohlášení o shodě
	Pozor: důležité informace
	Doporučení prostudovat příručku
	Nebezpečí skřípnutí
	Max. hmotnost uživatele v kg
	Výrobek testovaný při nárazu; lze použít jako sedadlo v motorovém vozidle
	Není určeno pro použití jako sedadlo v motorovém vozidle
	Lze použít jako sedadlo v motorovém vozidle; vyznačeny upevňovací body

2.4. Přeprava

2.4.1. Přeprava vozidlem jako zavazadlo

⚠ VAROVÁNÍ

Riziko zranění

- Tento invalidní vozík NIKDY nepoužívejte jako sedadlo ve vozidle, viz následující symbol.



- Dohlédněte na to, aby byl invalidní vozík řádně uchycen, aby se předešlo zranění cestujících při nehodě či náhlém zabrzdění.
 - Pro zabezpečení invalidního vozíku a cestujícího NIKDY nepoužívejte stejný bezpečnostní pás.
1. Demontujte podnožky, područky a příslušenství.
 2. Bezpečně uložte loketní opěrky a příslušenství.
 3. Pokud je to možné, složte invalidní vozík a sundejte zadní kola.
 4. Umístěte vozík do zavazadlového prostoru.
 5. Pokud prostor pro cestující a invalidní vozík NENÍ oddělený, upevněte rám vozíku bezpečně k vozidlu. Můžete použít bezpečnostní pásy vozidla.

2.5. Složení a rozložení

⚠ POZOR

Riziko zranění

- Udržujte prsty mimo pohyblivé části invalidního vozíku.

2.5.1. Rozkládání invalidního vozíku

1. Postavte se za invalidní vozík.
2. Pomocí madel otevřete invalidní vozík do maximální možné polohy.
3. Postavte se před invalidní vozík.

4. Zatlačte obě sedací trubky rámu dolů až do fixní polohy.
5. Namontujte tlačnou tyč (viz §3.3.4.).

2.5.2. Skládání invalidního vozíku

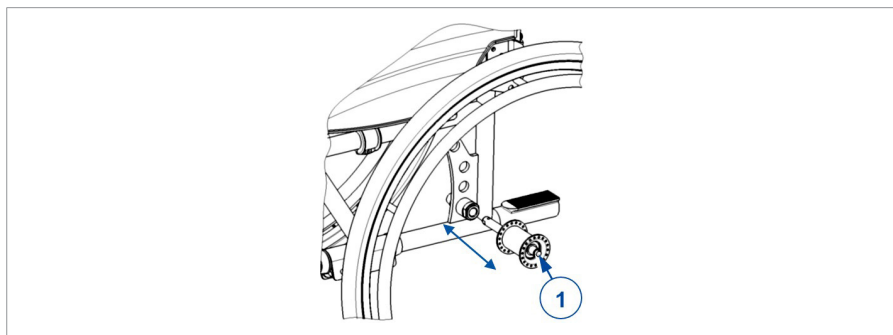
1. Složte stupačky nebo demontujte podnožky (viz kapitola 3.3.1.).
2. Odstraňte tlačný tyč (viz §3.3.4.).
3. Uchopte sedadlo za přední a zadní část a vytáhněte jej.

2.5.3. Montáž zadních kol

1. Uchopte zadní kolo a zmáčkněte tlačítko (1).
2. Držte tlačítko stisknuté a nasadte zadní kolo na osu, dokud se nezastaví.
3. Povolte tlačítko.
4. zkontrolujte bezpečné uchycení kola.

2.5.4. Sejmutí zadních kol

1. Ujistěte se, že jsou brzdy deaktivované.
2. Položte invalidní vozík na bok tam, kde chcete sejmut kolo.
3. Stiskněte tlačítko ve středu osy kola.
4. Vytáhněte kolo z rámu.



2.6. Skladování

⚠ POZOR

Riziko poškození

- Dbejte na to, aby byl invalidní vozík uložen v suchém prostředí, aby na něm nemohly růst plísně a nepoškodilo se čalounění, viz též kapitola 5..

3. Použití invalidního vozíku

⚠ VAROVÁNÍ

Riziko zranění

- Nejprve si přečtete předchozí kapitoly a seznámte se se zamýšleným použitím. Invalidní vozík NIKDY nepoužívejte, dokud si nepřečtete a plně neporozumíte všem pokynům.
- V případě pochybností či dotazů bez obav požádejte svého místního odborného prodejce, poskytovatele péče nebo technického poradce, aby vám pomohl.

3.1. Ovládání brzd

⚠ POZOR

Riziko zranění

- Brzy neslouží ke zpomalování pohybu invalidního vozíku. Brzdy použijte pouze pro zabránění před nežádoucím pohybu invalidního vozíku.
- Správnou funkci brzd ovlivňuje opotřebení a znečištění kol (voda, olej, bláto, ...). Před každým použitím zkontrolujte stav kol.
- Brzdy jsou nastavitelné a mohou se opotřebovat. Před každým použitím zkontrolujte stav brzd.
- Před uvolněním brzd se ujistěte, že se invalidní vozík nachází na horizontálním povrchu. Nikdy neuvolňujte obě brzdy současně.

3.1.1. Aktivace brzd:

1. Zatlačte brzdové páčky směrem vpřed až do zřetelného zacvaknutí.

3.1.2. Postup uvolnění brzd:

1. Uvolněte jednu brzdu zatáhnutím páčky směrem dozadu.
2. Rukou podržte poháněcí obruč odbrzděného kola.
3. Zopakujte tento postup u druhého kola a parkovací brzdy.

3.2. Přemístění na invalidní vozík a z něho

POZOR

Riziko zranění či poškození

- Pokud nemůžete vykonat bezpečný přesun sami, požádejte někoho o pomoc.
- Nestoupejte na stupačky.

3.2.1. Přesun

1. Umístěte invalidní vozík co nejbližší k židli, gauči nebo posteli, ze které/na kterou má pacient nasednout.
2. Aktivujte obě parkovací brzdy k zablokování pohybu, viz odst. 3.1..
3. Složte stupačky nebo demontujte podnožky (viz kapitola 3.3.1.).
4. Pokud přesun probíhá na boku invalidního vozíku, demontujte loketní opěrku na dané straně směrem nahoru (viz kapitola 3.3.2.).
5. Přesuňte se na invalidní vozík nebo z něj pomocí svých paží nebo s pomocí asistenta/asistentů či zdvihacího zařízení.

3.2.2. Sezení na invalidním vozíku

Doporučení pro komfortní používání invalidního vozíku:

- Sedněte si na sedadlo a dolní část zad opřete o opěradlo.
- Ujistěte se, že máte horní část nohou v horizontální poloze - v případě potřeby upravte délku podnožek (viz instalační manuál).

3.3. Úpravy komfortu

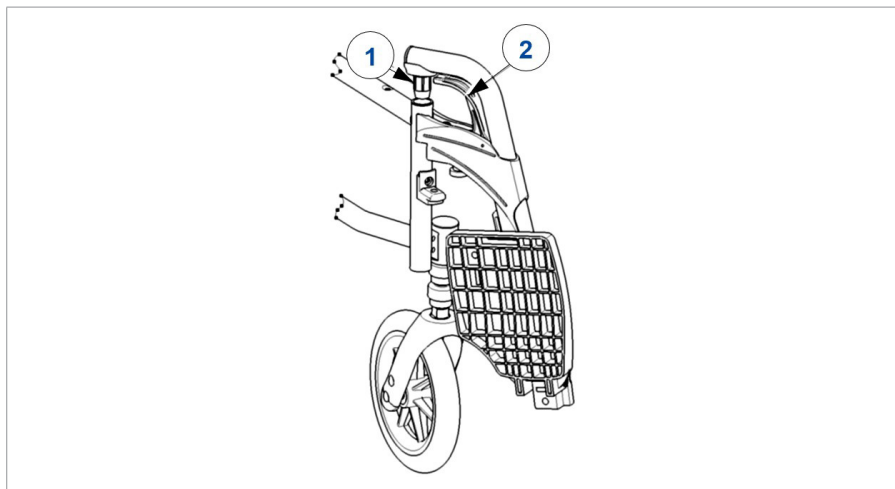
POZOR

Riziko zranění či poškození

- Asistent nebo pečovatel(ka) může provádět následující seřízení komfortu. Všechna ostatní seřízení jsou prováděna odborným prodejcem podle návodu k instalaci, viz úvod.
- Abyste nezranili osoby stojící okolo nebo nepoškodili předměty, myslete vždy na rozsah pohybu stupátka.

- Dávejte pozor, aby se při seřizování nezachytily prsty, oděv nebo spony.

3.3.1. Montáž a demontáž podnožek



3.3.1.1. Montáž opěrek nohou

1. Podržte podnožky příčně z vnější strany rámu invalidního vozíku a vložte čepičku trubice (1) do rámu.
2. Otočte podnožky směrem dovnitř, dokud nezacvaknou.
3. Spusťte stupačku směrem dolů.

3.3.1.2. Demontáž opěrek nohou

1. Vytáhněte páku (2).
2. Vytočte podnožky do vnější strany od invalidního vozíku, dokud se neuvolní z vodícího prvku.
3. Vytáhněte podnožky z rámu (1).

3.3.2. Montáž a demontáž loketních opěrek

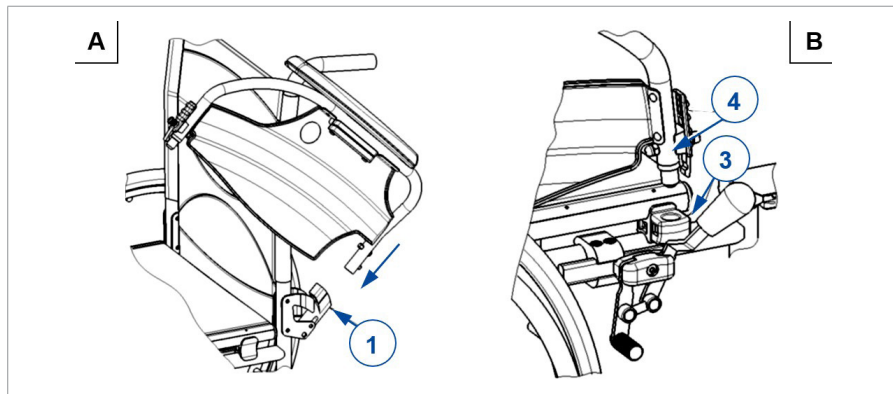
⚠ POZOR

Riziko zranění

- Udržujte prsty, přezky a oděvy mimo spodní stranu loketních opěrek.

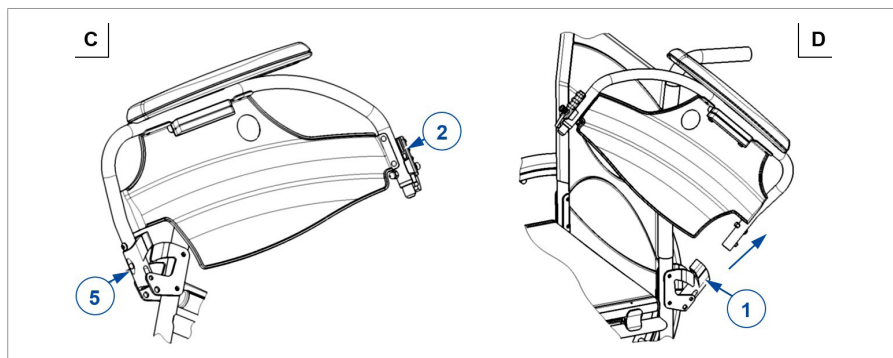
3.3.2.1. Montáž loketních opěrek

1. Nasadíte zadní trubku loketní opěrky do držáku trubky (1). (Obr. A)
2. Ujistěte se, že loketní opěrka zacvakne do uzamykacího mechanismu.
3. Sklopte loketní opěrku směrem dopředu.
4. Nasadíte přední trubku loketní opěrky (4) do držáku trubky (3). (Obr. B)



3.3.2.2. Otevírání a demontáž loketních opěrek

1. Stiskněte páku (2) a vytáhněte přední část loketní opěrky nahoru. (Obr. C)
2. Odklopte loketní opěrku směrem dopředu.
3. Pro sejmutí loketní opěrky stiskněte tlačítko (5) a vytáhněte zadní část loketní opěrky z rámu vozíku (1). (Obr. C a D)



3.3.3. Nastavení zařízení proti překlopení (je-li to relevantní)

Výšku zařízení proti překlopení lze nastavit ve 7 polohách (rozsah 120 mm: kroky 20 mm):

1. Uvolněte šroub (1).
2. Posuňte trubici zařízení proti překlopení do požadované výšky.
3. Utáhněte hvězdicový šroub.
4. Zkontrolujte, zda je zařízení proti překlopení pevně zajištěné.

3.3.4. Montáž a demontáž tlačné tyče

VAROVÁNÍ

Riziko zranění

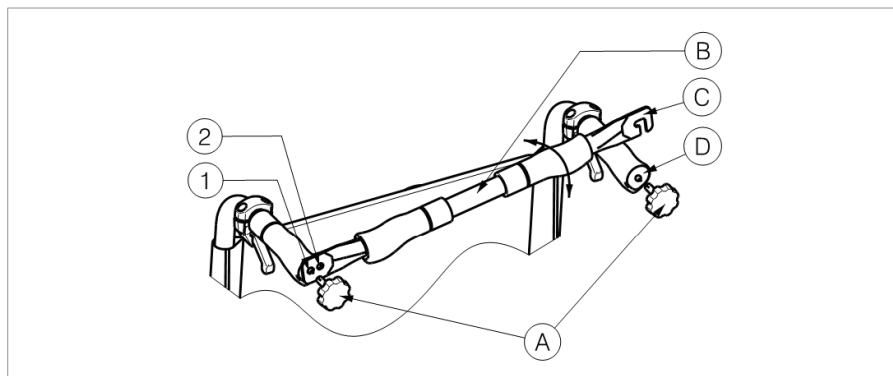
- Ujistěte se, že jsou hvězdicové úchytky (A) utažené.
- Pokud je k dispozici tlačná tyč, vždy musí být nainstalována za účelem zvýšení stability zádové části.

3.3.4.1. Namontování tlačné tyče

1. Uchytěte tlačnou tyč (B) pomocí hvězdicového šroubu (A) k levému madlu.
2. Dejte tlačnou tyč (B) do vodorovné polohy směrem doprava.
3. Háček (C) zachyťte za pravé (D) podle obrázku. Pro nastavení vypnutí zádové opěrky použijte otvory (1) nebo (2).

3.3.4.2. Postup sejmutí tlačné tyče

1. Uvolněte hvězdicový šroub (A) na pravém madlu.
2. Sejměte háček (C) z pravého madla (D).



3.4. Jízda v invalidním vozíku

i V závislosti na vašem zdravotním stavu a typu invalidního vozíku můžete jezdit na vozíku sami nebo vás musí případně tlačit doprovod.

⚠ POZOR

Nebezpečí skřípnutí

- Nedopustíte, aby se do drátů výpletu kola zachytily vaše prsty.
- Při průjezdu úzkými průchody se chraňte před skřípnutím rukou na ručních ráfcích.
- Při jízdě s doprovodem nesahejte rukama na kola a nohy nechte spočívat na nožních deskách.

⚠ POZOR

Riziko zranění či poškození

- **NEJEZDĚTE** na svazích, přes překážky, schody nebo obrubníky větší, než je předepsáno v odst. 5..
- Nejezděte s invalidním vozíkem v silničním provozu. Chodte vždy po chodníku.
- Nepoužívejte ruční ráfky, máte-li mokré ruce.
- Dávejte pozor, zda na silnici nejsou díry nebo spáry, které by mohly způsobit skřípnutí kol.
- Vyhýbejte se kamenům a jiným předmětům, které mohou zablokovat kola.

- Abyste nezranili osoby stojící okolo nebo nepoškodili předměty, myslete vždy na rozsah pohybu stupátka.
- Před každým použitím ověřte, že:
 - jsou všechny části, které se nastavují, pevně zajištěny, viz odst. 3.3..
 - parkovací brzdy fungují správně;
 - pneumatiky jsou v dobrém stavu, viz odst. 4.2.1..

3.4.1. Jízda s doprovodem

1. Deaktivujte parkovací brzdy nebo je nechte uvolnit doprovodem, který mezitím drží invalidní vozík, aby se nerozjel, viz odst. 3.1..
2. Doprovod uchopí rukojeti nebo tlačnou tyč a může tlačit invalidní vozík požadovaným směrem.
3. Po zastavení a držení invalidního vozíku na místě zaktivujte parkovací brzdu, viz odst. 3.1..

3.4.2. Samostatná jízda

1. Deaktivujte parkovací brzdy jednu po druhé, viz odst. 3.1..
2. Položte ruce do nejvyšší polohy na obou ručních ráfcích.
3. Nakloňte se dopředu a tlačte ruční ráfky dopředu, dokud se vaše paže nenarovnají.
4. Volně zhoupněte ruce zpět na horní část ručních ráfků a zopakujte tlačný/otočný pohyb.
5. Zastavení: počkejte, až se invalidní vozík zastaví a pohybujte se dopředu/dozadu pomocí ručních ráfků. Aktivujte parkovací brzdy jednu po druhé, viz odst. 3.1..

3.4.3. Jízda na svazích

POZOR

Riziko zranění

- Má-li doprovod příliš malou sílu na ovládání invalidního vozíku, zastavte jízdu a okamžitě zaktivujte brzdy.
- Když zastavíte na (mírném) svahu, použijte brzdy.



1. Připoutejte se k invalidním vozíku bezpečnostním pásem.
2. Požádejte o pomoc svůj doprovod nebo osobu ve vašem okolí.
3. Jezděte pomalu a pokud možno rovně. Při jízdě do svahu se mírně nakloňte dopředu (A/B). Při jízdě ze svahu se mírně nakloňte dozadu a opřete o opěradlo.
4. Na svahu nikdy nejezděte vzad.

3.4.4. Použití nájezdových ramp

⚠ POZOR

Riziko převrácení

- Používejte pouze rampy schválené společností Vermeiren a nepřekračujte max. nosnost.
 - Zajistěte, aby se invalidní vozík nedotýkal země nebo rampy v důsledku jeho naklonění.
 - Nájezdové rampy překonávejte pouze s pomocí jedné nebo dvou osob, které vás doprovází.
1. Nastavte polohu opěradla, sedadla a podnožky tak, abyste snížili hmotnost, která bude působit na invalidní vozík, a zvýšili stabilitu při naklonění.
 2. Odeberte opěrky nohou, viz odst. 3.3.1..
 3. Postupujte podle pokynů v odst. 3.4.3..

3.4.5. Používání schodů

⚠ POZOR

Riziko převrácení

- Schody musejí být vždy zvládnány za asistence dvou osob doprovodu.
- Nikdy nezkoušejte používat schody, které nejsou vhodné pro invalidní vozíky.



1. Odeberte opěrky nohou, viz odst. 3.3.1..
2. Jeden doprovod mírně nakloní invalidní vozík dozadu pomocí rukojetí.
3. Druhý doprovod uchopí invalidní vozík za přední stranu rámu po obou stranách invalidního vozíku.
4. Zachovejte klid, vyvarujte se náhlých pohybů a držte ruce uvnitř invalidního vozíku.
5. Obě doprovodné osoby krok za krokem zvedají a tahají invalidní vozík, zatímco zadní kola přejíždějí po schodech.
6. Po použití schodů upevněte zpět na místo opěrky nohou, viz odst. 3.3.1..

3.4.6. Řešení překážek

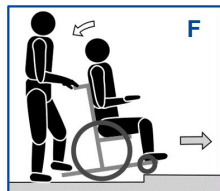
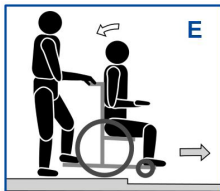
⚠ POZOR

Riziko převrácení

- Nemáte-li s jízdou na invalidním vozíku dostatek zkušeností, požádejte doprovod o asistenci.
- Při přejíždění překážky dávejte pozor, aby se stupátka nedotkla země.
- Tento invalidní vozík nepoužívejte na eskalátoru.
- Je-li k dispozici bezpečnostní pás, připevněte se.

3.4.6.1. Nízké obrubníky (nahoru nebo dolů)

Ty lze přejet vpřed (E / F) s pomocí jedné osoby, nebo zkušenými uživateli invalidních vozíků samotnými.



1. Doprovod pohybuje invalidním vozíkem dopředu a přiblíží se k obrubníku.
2. Ověřte, že se nožní desky nedotknou obrubníku.
3. Nakloňte se dozadu, abyste odlehčili přední kola.
4. Doprovod drží pevně rukojeti a zároveň se pohybuje dopředu. V případě potřeby použije koncové víčko pro trvalé zvednutí předních kol, dokud nepřejedou obrubník.
5. Doprovod uvolní tlak na rukojeti i koncové víčko a položí opatrně přední kola na zem.
6. Dále drží pevně rukojeti a zároveň přetlačí invalidní vozík zadními koly nahoru/dolů přes obrubník.

Zkušený uživatel může přejet malé obrubníky dopředu samostatně:



Jízda dolů:

1. Pro snížení zatížení předních kol přesuňte těžiště na zadní kola.
2. Sjedzte z obrubníku.





Jízda nahoru:

1. Přijedte k obrubníku.
2. Nakloňte se dozadu, abyste balancovali na zadních kolech.
3. Při balancování přejeďte předními koly přes obrubník.
4. Náklonem dopředu zajistěte vyšší stabilitu.
5. Přejeďte zadními koly přes obrubník.

3.4.6.2. Středně vysoké obrubníky (nahoru nebo dolů)

Tyto obrubníky můžete překonat směrem dozadu s pomocí jedné osoby:

	<ol style="list-style-type: none"> 1. Doprovod otočí invalidní vozík, aby se k obrubníku přiblížila zadní kola (G / H). 2. Jízda dolů: Náklonem dopředu (G) přesuňte těžiště do přední části vozíku. Jízda nahoru: Náklonem dozadu (H) přesuňte těžiště do zadní části vozíku. 3. Doprovod jemným tahem jede invalidním vozíkem z obrubníku nebo na něj.
	

3.4.6.3. Vyšší obrubníky

Vyšší obrubníky, které stále nepřekračují maximální velikost, viz odst.5., se musí překonávat s pomocí dvou osob.

Jízda dolů:

1. Sundejte nožní opěrky.
2. Doprovod pohybuje invalidním vozíkem dopředu a přiblíží se k obrubníku.
3. Nakloňte se dozadu, abyste odlehčili přední kola.
4. Doprovod musí pevně uchopit madla a za koncové víčko zvednout přední kola, dokud obě kola nebudou celá za hranou obrubníku.
5. Druhá osoba z doprovodu uchopí zepředu rám a bude vozík tlačít dozadu a současně spouštět zadní kola z obrubníku dolů.
6. Doprovod uvolní tlak na rukojeti i koncové víčko a položí opatrně přední kola na zem.

Jízda nahoru:

1. Sundejte nožní opěrky.
2. První osoba z doprovodu otočí invalidní vozík, aby se k obrubníku přiblížila zadní kola.
3. Náklonem dozadu přesuňte těžiště do zadní části vozíku.
4. Druhá osoba z doprovodu uchopí zepředu rám a bude vozík posunovat dopředu a současně s tím táhnout/tlačit zadní kola na obrubník. První osoba z doprovodu zdvihne a pevně přidrží madla, aby se vozík nemohl překlopit.

4. Údržba

- i** Pravidelná péče zajistí, že bude invalidní vozík udržován v dokonale funkčním stavu. Návod k údržbě naleznete na webových stránkách společnosti Vermeiren: www.vermeiren.com.

4.1. Body údržby

⚠ POZOR

Riziko zranění a poškození

- Opravy a výměny smějí provádět pouze vyškolené osoby. Přitom je třeba používat pouze originální náhradní díly společnosti Vermeiren.
- i** Poslední stránka tohoto návodu obsahuje registrační formulář pro odborného prodejce, který zapíše každý servis. Servisní intervaly závisejí na intenzitě a frekvenci používání. Požádejte svého prodejce o společnou dohodu na rozvrhu kontrol/údržby/oprav.

4.1.1. Před každým použitím

Zkontrolujte následující:

- Všechny části: Přítomné a nepoškozené či neopotřebované.
- Všechny části: Čisté, viz odst. **4.2.2.**
- Kola, opěradlo, sedadlo, lýtčkové opěrky, područky, stupátka: Dobré zajištění.
- Stav kol/pneumatik, viz § **4.2.1.**
- Stav součástí rámu: Žádná deformace, nestabilita, zeslabení nebo uvolněné spoje.
- Sedadlo, opěradlo, opěrky rukou, opěrky lýtek a opěrka hlavy (je-li použita): Bez nadměrného opotřebení (např. promáčknutá místa, poškození nebo roztržení).
- Brzdy: Nepoškozené a funkční.

Pro případné opravy či výměny částí se obraťte na svého odborného prodejce.

4.1.2. Ročně nebo častěji

Tento invalidní vozík nechte u odborného prodejce ke kontrole a provedení servisu alespoň jednou ročně nebo častěji. Minimální četnost údržby závisí na používání, a proto by měla být společně dohodnuta s vaším odborným prodejcem.

4.1.3. Při skladování

Dbejte na to, aby byl invalidní vozík uložen v suchém prostředí, aby na něm nemohly růst plísně a nepoškodilo se čalounění, viz též kapitola 5..

4.2. Pokyny pro údržbu

4.2.1. Kola a pneumatiky

- i** Správná funkce brzd závisí na stavu pneumatik a může se měnit kvůli opotřebením a znečištění (voda, olej, bláto atd.).

Udržujte kola bez drátů, vlasů, písku a vláken.

Zkontrolujte vzorek na pneumatikách. Je-li hloubka dezénu menší než 1 mm, musí být pneumatiky vyměněny. Obraťte se v této věci na svého odborného prodejce.

Nahustěte každou pneumatiku na správný tlak (viz vyznačení tlaku na pneumatikách).

Pokyny k výměně pneumatik naleznete v návodu k instalaci.

4.2.2. Čištění

⚠ POZOR

Riziko poškození vlhkostí

- K čištění invalidního vozíku nikdy nepoužívejte hadici ani vysokotlaký čistič.

Otřete všechny pevné části vlhkým (nikoli mokrým) hadříkem. V případě potřeby použijte jemné mýdlo vhodné na laky a syntetické barvy.

Čalounění lze vyčistit vlažnou vodou a jemným mýdlem. K čištění nepoužívejte abrazivní čisticí prostředky.

4.2.3. Dezinfekce

⚠ POZOR

Riziko poškození

- Dezinfekci mohou provádět pouze kvalifikované osoby. Poradte se se svým prodejcem.

4.3. Řešení problémů

I když tento invalidní vozík používáte správně, může se vyskytnout technický problém. V takovém případě se obraťte na svého místního odborného prodejce.

VAROVÁNÍ

Riziko zranění a poškození

- NIKDY se nepokoušejte opravit invalidní vozík sami.

Následující příznaky mohou znamenat vážný problém. Proto se obraťte na svého odborného prodejce vždy, když zaznamenáte některou z následujících odchylek:

- divný zvuk;
- nerovnoměrné opotřebení dezénu na jedné z pneumatik;
- trhavé pohyby;
- invalidní vozík se naklání na jednu stranu;
- poškozené či rozbité sestavy kol.

4.4. Očekávaná životnost

Invalidní vozík je navržen tak, aby mají průměrnou životnost 5 let. V závislosti na četnosti použití, jízdních podmínkách a údržbě se životnost tohoto invalidního vozíku prodlouží nebo zkrátí.

4.5. Znovupoužití výrobku

Před každým dalším použitím nechte invalidní vozík dezinfikovat, zkontrolovat a provést servis podle pokynů v odst. 4.1. a odst. 4.2..

4.6. Konec používání

Po skončení životnosti musí být invalidní vozík zlikvidován podle místní legislativy pro životní prostředí. Nejlepším způsobem likvidace je rozebrání invalidního vozíku pro usnadnění přepravy recyklovatelných součástí.

4.7. Záruka

Záruka na tento výrobek se řídí všeobecnými podmínkami platnými v dané zemi.

5. Technické údaje

Technické údaje uvedené níže platí pouze pro tento invalidní vozík při standardních nastaveních a optimálních podmínkách okolí. Během používání berte tyto údaje v úvahu. Pokud byl tento křesla upraven, poškozen nebo došlo k jeho velkému opotřebení, nebudou tyto hodnoty platné.

Značka	Vermeiren
Skupina produktů	Invalidní vozík
Typ	V300 XL
Popis	Rozměry
Hmotnost uživatele	170 kg
Celková délka	1085 mm
Celková šířka	740 mm 770 mm 810 mm
Celková výška	840 mm - 930 mm
Celková hmotnost	21 kg
Hmotnost nejtěžší části	13,35 kg
Hmotnost snímatelných částí	
Podnožky	1,75 kg
Loketní opěrky	1,8 kg
Zadní kola	4,05 kg
Právo na technické změny vyhrazeno. Tolerované odchylky +/- 15 mm / 1,5 kg / 1,5°	

Značka	Vermeiren
Skupina produktů	Invalidní vozík
Typ	V300 XL
Popis	Rozměry
Statická stabilita z kopce	6,5°
Statická stabilita do kopce	6,5°
Statická boční stabilita	18°
Úhel roviny sedadla	0° - 10°
Účinná hloubka sedadla	490 mm 510 mm 530 mm 550 mm
Účinná šířka sedadla	530 mm 560 mm 600 mm
Výška povrchu sedadla na předním okraji	440 mm - 530 mm
Úhel opěradla	5°
Výška opěradla	400 mm
Vzdálenost mezi nožní deskou a sedadlem	400 mm - 500 mm
Úhel nohou k ploše sedadla	105°
Úhel nožní desky	80°
Vzdálenost mezi područkami a sedadlem	220 mm - 240 mm
Přední poloha konstrukce područky	410 mm
Horizontální poloha osy kol (odchylka)	1,27 mm - 61,04 mm
Minimální poloměr zatažení	1500 mm
Průměr zadních kol	22" 24"
Tlak v pneumatikách, zadní kola	Max. 3,5 baru
Průměr předních kol	200 mm
Tlak pneumatik přední kola	Max. 2,5 baru
Provozní teplota	+5°C - +41°C
Vlhkost při skladování a používání	30% - 70%
Právo na technické změny vyhrazeno. Tolerované odchylky +/- 15 mm / 1,5 kg / 1,5°	



Service registration form

This product (name):

was inspected (I), serviced (S), repaired (R) or disinfected (D):

By (stamp): Kind of work: I / S / R / D Date:	By (stamp): Kind of work: I / S / R / D Date:	By (stamp): Kind of work: I / S / R / D Date:
By (stamp): Kind of work: I / S / R / D Date:	By (stamp): Kind of work: I / S / R / D Date:	By (stamp): Kind of work: I / S / R / D Date:
By (stamp): Kind of work: I / S / R / D Date:	By (stamp): Kind of work: I / S / R / D Date:	By (stamp): Kind of work: I / S / R / D Date:
By (stamp): Kind of work: I / S / R / D Date:	By (stamp): Kind of work: I / S / R / D Date:	By (stamp): Kind of work: I / S / R / D Date:
By (stamp): Kind of work: I / S / R / D Date:	By (stamp): Kind of work: I / S / R / D Date:	By (stamp): Kind of work: I / S / R / D Date:



VERMEIREN GROUP

Vermeirenplein 1/15

2920 Kalmthout

Belgium

www.vermeiren.com

Version: E, 2025-06

Basic UDI-DI: 5415174122106V300XLL3

All rights reserved, including translation.

VERMEIREN
we care for you