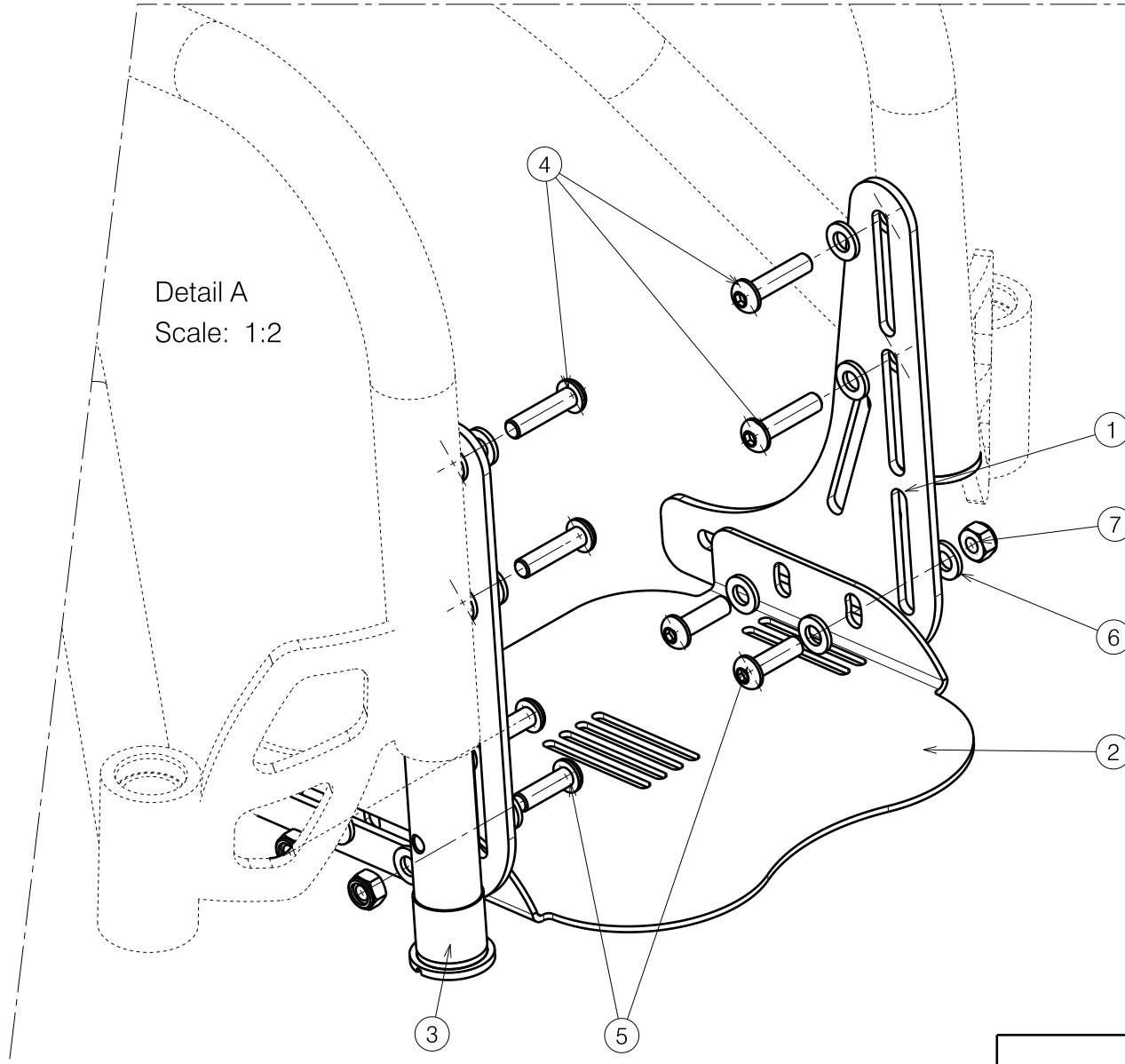


Detail A
Scale: 1:2



Material			
No.	Plan	Article	Quantity
1	YP02348	1899554	2
2	YP02349 (24CM)	1696654	1
	YP02558 (26CM)	2804354	1
	YP02560 (28CM)	2804454	1
	YP02562 (30CM)	2804554	1
	YP02564 (32CM)	2804654	1
	YP02566 (34CM)	2804754	1
	3	XP00736	2991030
4	M6X25	1992968	4
5	M6X20	1006999	4
6	D12,5xd6,4x1.6	1000973	16
7	M6	1001680	4

EP00013/A

FOOTREST FOR SAGITTA KIDS				Plan Number
				EP00013/A
Scale: 1:2	Drafted	Verified	Confirmed	
Date	16/12/2010	16/12/2010	16/12/2010	
Initials	RM	MK	TK	