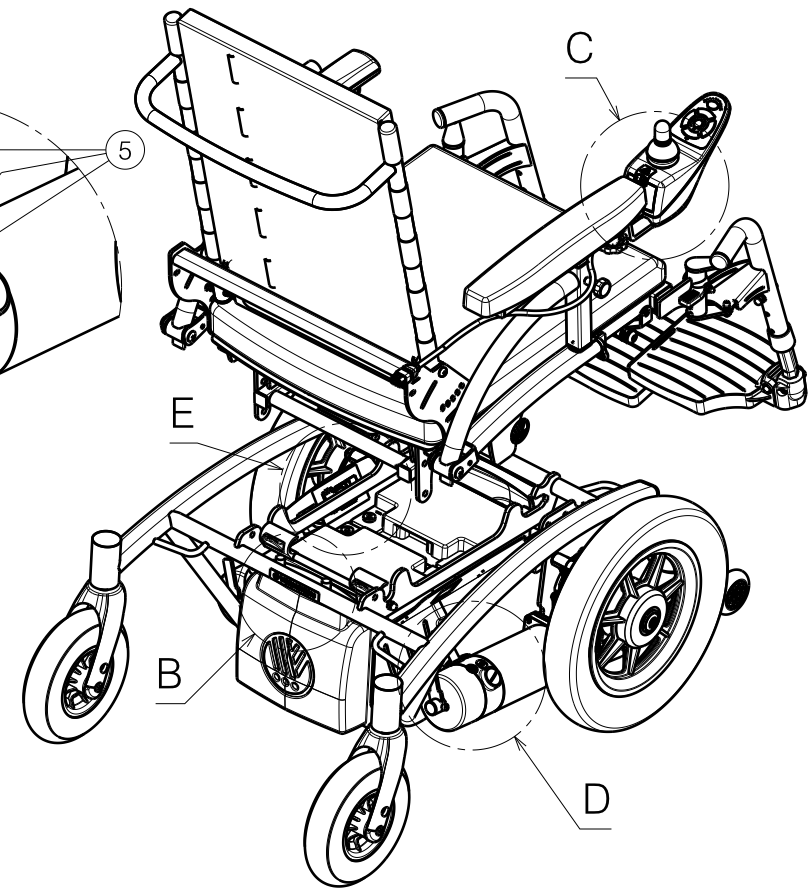


Material			
No.	Plan	Article	Quantity
1	---	T001002	2
2	---	T001097	1
3	---	T001051	1
4	---	T001091	2
5	---	1995235	1
6	---	1996154	1



E000708 / C

STICKER CONFIGURATION NAVIX STIKKER CONFIGURATIE NAVIX				Plan No. E000708 / C
Scale: 1:10	Drafted	Verified	Confirmed	
Date	25/07/2011	27/01/2015	27/01/2015	
Initials	DD	TT	PJ	