

Upper Part

Sheet 1/3

E000541 / G

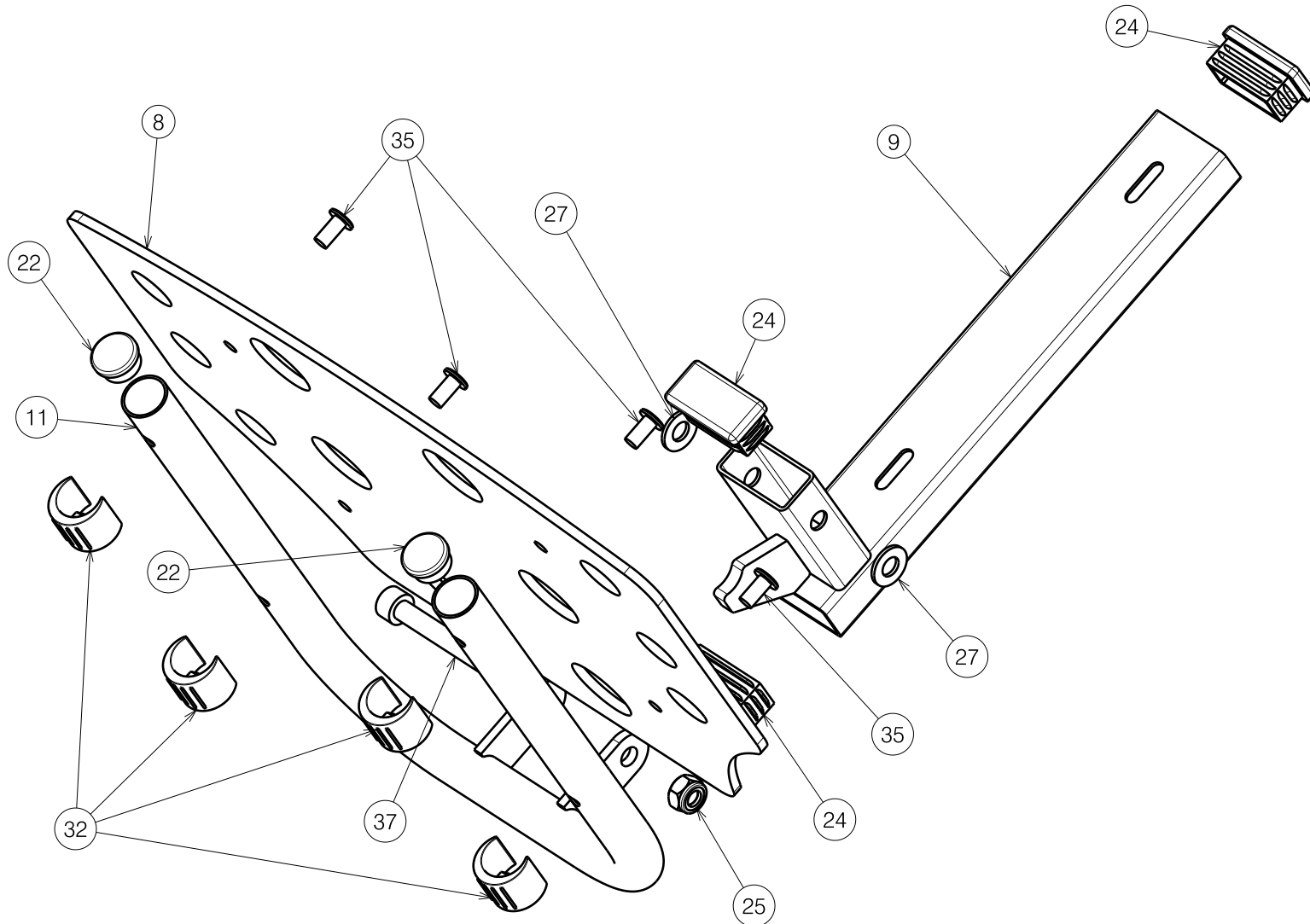
LEG REST BZ9/BZ10 TYPE INOVYS 2

Plan No. / Plannr.

E000541 / G

Scale / Schaal: 1:4	Drafted / Getekend	Verified / Nagezien	Confirmed / Bevestigd
Date / Datum	13/01/2009	19/11/2018	19/11/2018
Init. / Init.	SD	SD	PJ






Lower Part

Sheet 2/3

E000541 / G

LEG REST BZ9/BZ10 TYPE INOVYS 2				Plan No. / Plannr.
				E000541 / G
Scale / Schaal: 1:4	Drafted / Getekend	Verified / Nagezien	Confirmed / Bevestigd	
Date / Datum	13/01/2009	19/11/2018	19/11/2018	
Init. / Init.	SD	SD	PJ	


Material / Materiaal				Material / Materiaal			
No. / Nr.	Plan	Article / Artikel	Quantity / Aantal	No. / Nr.	Plan	Article / Artikel	Quantity / Aantal
1	X001119	1001554	2	30	---	1008459	4
2	X003492	1900607	2	31	---	1901212	4
3	X003478	1998374	1	32	---	1902841	4
5	X003729	1638400 (40)	1	33	---	1901771	4
	X004375	1709600 (45)	1	34	---	1992804	4
	X004376	1710500 (50)	1	35	---	1992835	8
	XP02094	GP16500 (35)	1	36	---	1991858	2
6	X003793	1900442	2	37	---	1997781	1
7	XP00106	2990072	2	38	---	1001621	4
8	Y005699	1599654	1	39	Y007782	1608125	1
9	Y012109	1665300	1		YP06888	2765525 (35)	1
10	Y012100	1665225 (40)	1	40	---	1003791	1
	Y014152	1710225 (45)	1	41	---	1008090	2
	Y014735	1710325 (50)	1				
	YP06473	2735025 (35)	1				
11	Y012110	1665425	1				
12	Y013006	1689625	1				
13	Y013026	1665525	2				
14	Y013637	1710100	2				
15	Y014503	1704925	1				
16	Y014504	1697725	2				
17	---	1401000	1				
18A	---	1903777 (40)	1				
	---	1903779 (45)	1				
	---	1903780 (50)	1				
	---	2996473 (35)	1				
18B	---	1914621 (40)	1				
	---	1914622 (45)	1				
	---	1914623 (50)	1				
	---	2996474 (35)	1				
19	Y014413	1708500	1				
20	Y014580	1708400	1				
21	---	1001581	2				
22	---	1001602	2				
23	---	1001608	2				
24	---	1001615	3				
25	---	1001682	1				
26	---	1003067	2				
27	---	1003199	2				
28	---	1005860	1				
29	---	1005899	4				

18A without B22

18B with B22

Sheet 2/3

E000541 / G

LEG REST BZ9/BZ10 TYPE INOVYS 2				Plan No. / Plannr.
				E000541 / G
Scale / Schaal: 1:4	Drafted / Getekend	Verified / Nagezien	Confirmed / Bevestigd	
Date / Datum	13/01/2009	19/11/2018	19/11/2018	
Init. / Init.	SD	SD	PJ	