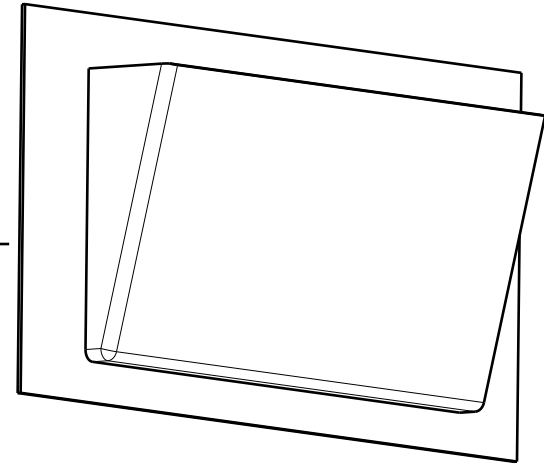


Quickrelease pocket inside



Sheet 1/2

NOTICE: THE INFORMATION CONTAINED ON THIS DRAWING IS PROPRIETARY TO VERMEIREN GROUP AND SHALL NOT BE DISCLOSED IN WHOLE OR IN PART, OR USED FOR ANY DESIGN OR MANUFACTURE, EXCEPT WHEN SUCH USER POSSESSES DIRECT WRITTEN AUTHORISATION FROM VERMEIREN GROUP.

2998007

Plan No.

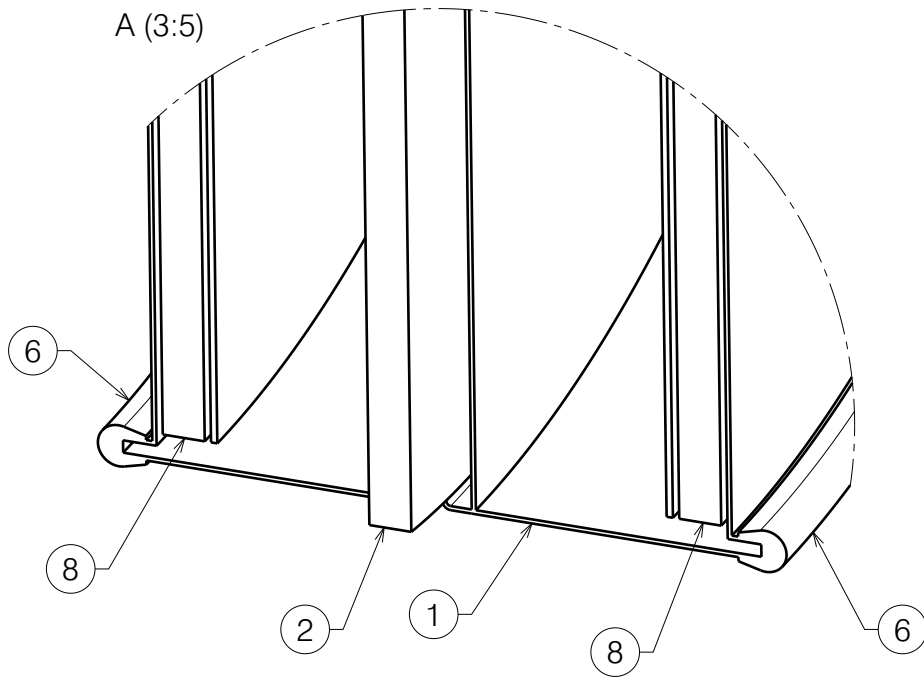
E00065443/A.1

WHEEL COVER SE46

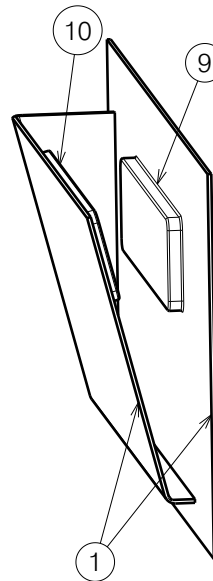
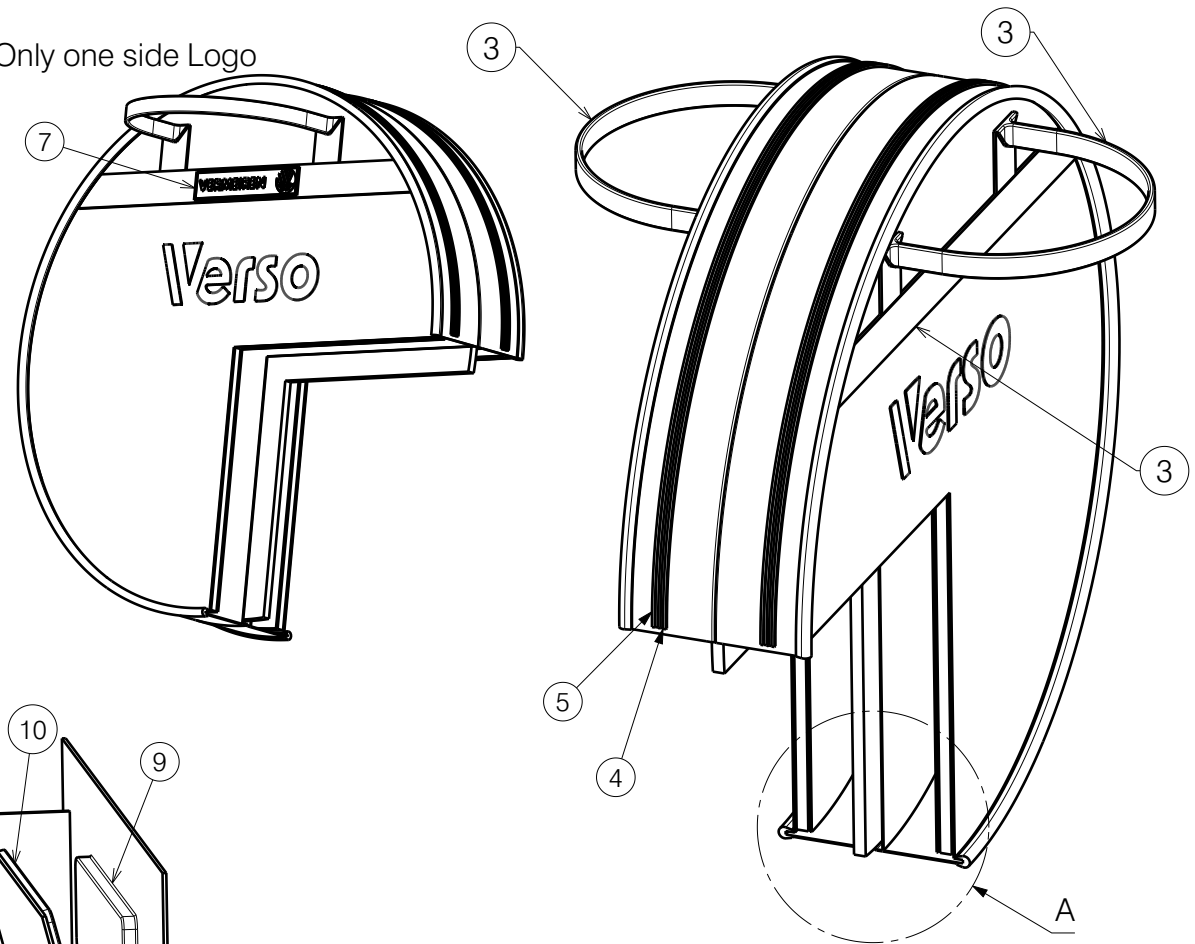
Scale:	1:6	Drafted	Verified	Confirmed
Date	09/08/2023	06/09/2023	06/09/2023	06/09/2023
Initials	MK	BL	TK	



A (3:5)



Only one side Logo



Quick release pocket  
with Velcro

No.	Plan	Article	Qty
1	NYLON	2990625	2,7m
2*	Foam hard 10mm	2991015	0,013RL
3	Band 40mm	1009517	2,6m
4	Zipper	1995604	2,1m
5	Zipper slider	1995605	4
6	Edge	2993411	4,2m
7	Rubber logo	3993014	1
8**	Foam soft 10mm	1915969	0,022RL
9	Velcro	1009709	0,10m
10	Velcro hook	1009710	0,10m

2\* Qty 0,013 RL = 0,65mb

8\*\* Qty 0,022 RL = 0,65mb

NOTICE: THE INFORMATION CONTAINED ON THIS DRAWING IS  
PROPRIETARY TO VERMEIREN GROUP AND SHALL NOT BE DISCLOSED IN  
WHOLE OR IN PART, OR USED FOR ANY DESIGN OR MANUFACTURE,  
EXCEPT WHEN SUCH USER POSSESSES DIRECT WRITTEN AUTHORISATION  
FROM VERMEIREN GROUP.

WHEEL COVER SE46			
Scale:	1:6	Drafted	Verified
Date	09/08/2023	06/09/2023	06/09/2023
Initials	MK	BL	TK

Sheet 2/2

2998007

Plan No.

E00065443/A.1

