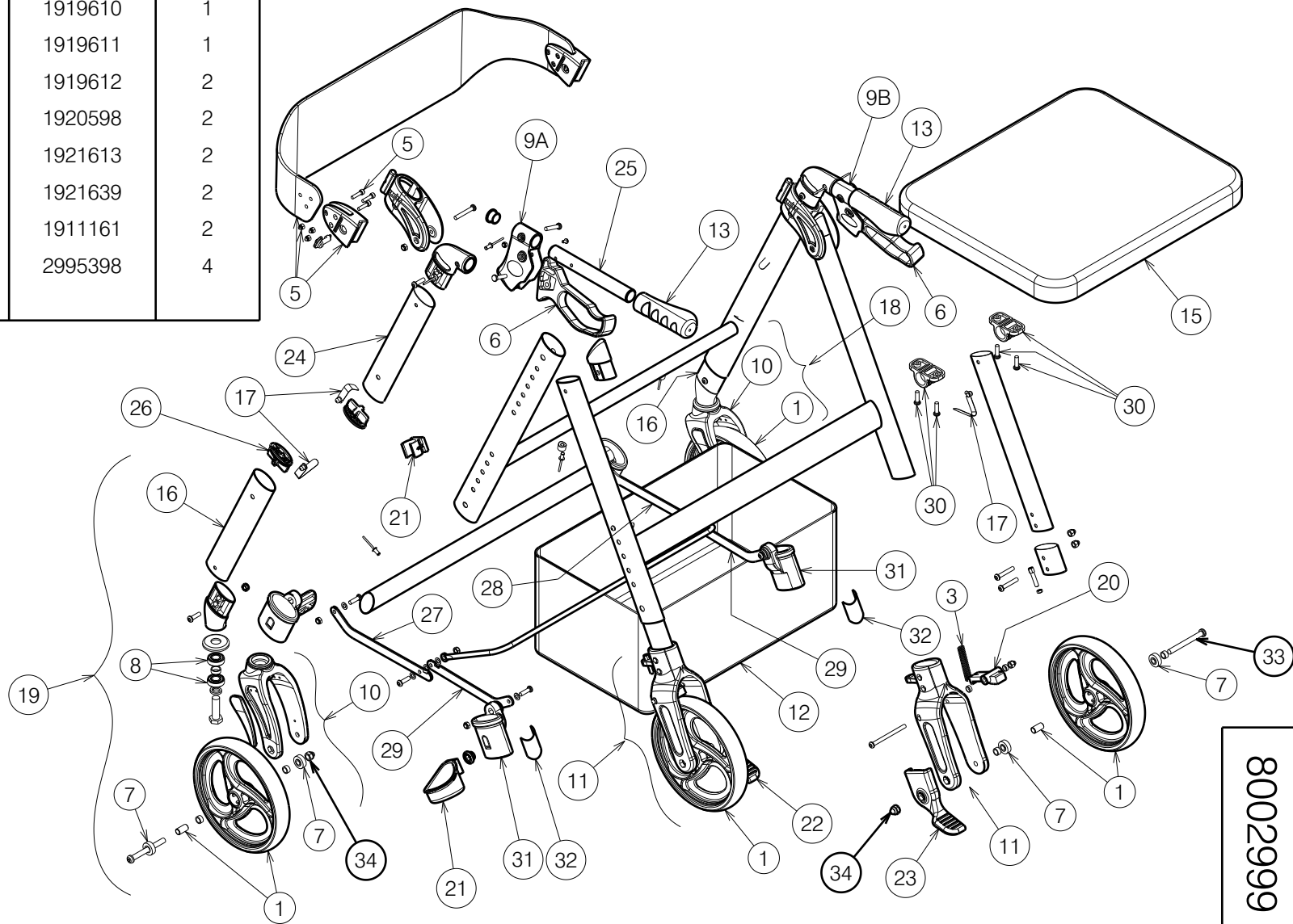


Bill of Material		
No.	Article	Quantity
1	1915855	4
3	1915857	2
4*	1915858	2
5	1915859	1
6	1915860	2
7	1915862	8
8	1915861	4
9A	1922258 (L)	1
9B	1922259 (R)	1
10	1915864	2
11	1915865	2
12	1915866	1
13	1915867	2
14*	1915868	2
15	1915869	1
16	1916356	2
17	1916358	6
18	1916463 (R)	1
19	1916596 (L)	1
20	1922345	2
	1917133	2
21	1916595	1
22	1917350	1
23	1917351	1
24	1918578	2
25	1918575	2
26	1919470	4

Bill of Material		
No.	Article	Quantity
27	1919610	1
28	1919611	1
29	1919612	2
30	1920598	2
31	1921613	2
32	1921639	2
33	1911161	2
34	2995398	4



Note:
 (20) 1922345 for serial number D2227497-D2423241
 1917133 for serial number H1918126-H2009469,
 D2122955-D2215286
 D2457501-...

* Not depicted
 E001131 / P

ROLLATOR GOLIAT				Plan No.
				E001131 / P
Scale: 1:5	Drafted	Verified	Confirmed	
Date	26/06/2019	01/06/2026	01/06/2026	
Initials	SD	DVB	PJ	

8002999