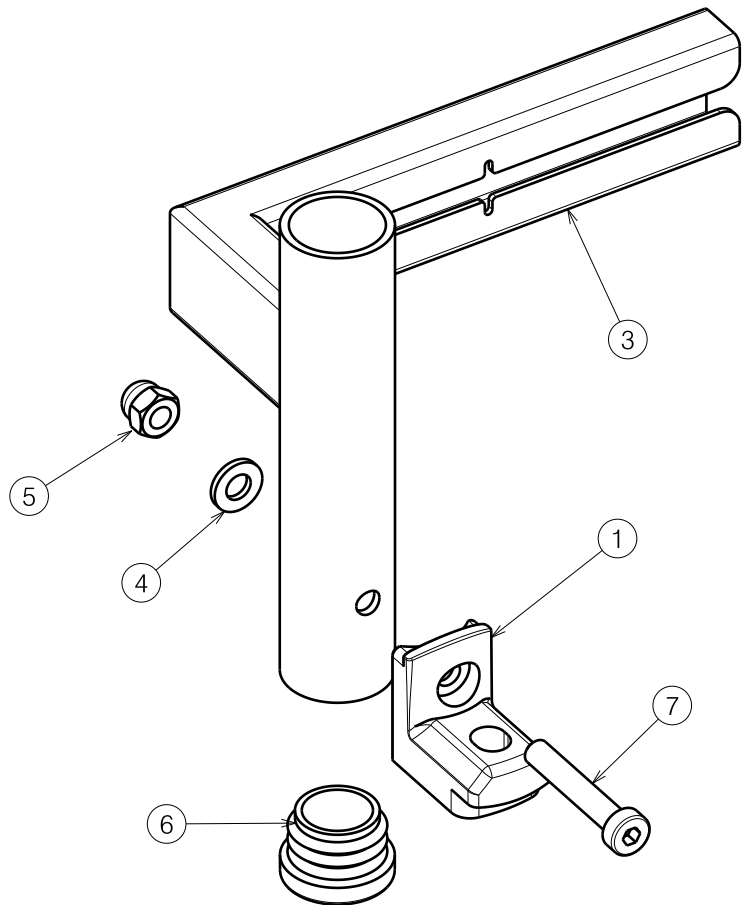
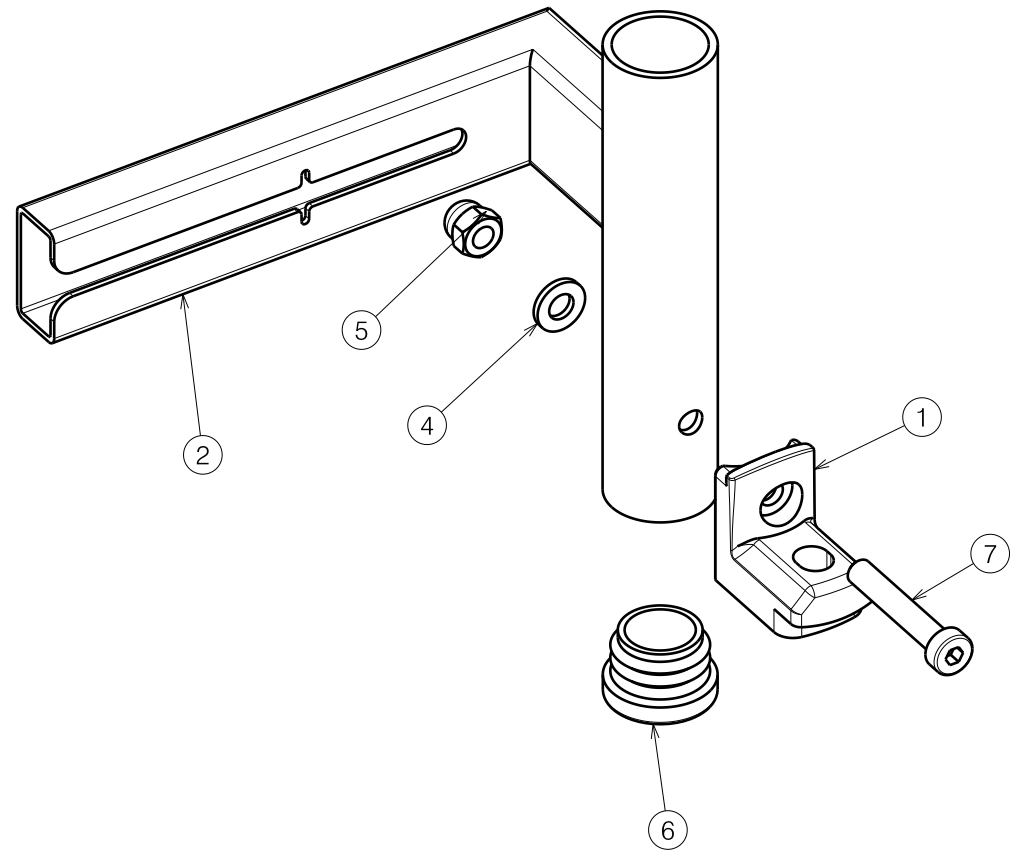



Material			
No.	Plan	Article	Quantity
1	X004415	17193	2
2	Y017802	1755854	1
3	Y017803	1755954	1
4	M6 DIN125	1001564	2
5	M6	1008492	2
6	D25	1991857	2
7	M6x35 DIN7984	1903903	2



1912033

E001044 / A

INOVYS 2 ATTACHMENT BK7/BL7/B06/BK6				Plan No. E001044 / A
Scale: 3:5	Drafted	Verified	Confirmed	
Date	07/07/2016	07/07/2016	07/07/2016	
Initials	SD	SD	PJ	