

EP00376 / H

Detail A
Scale: 3:5

BACKREST FOLDED WITH HEIGHT ADJUSTMENT AND HANDLE				Plan No.
				EP00376/ H
Scale: 3:10	Drafted	Verified	Confirmed	
Date	14/02/2019	07/04/2023	07/04/2023	
Initials	AS	PM	AS	



Degrease the screws before using the adhesive.

Drawing shows only right side

Material (30-35)			
No.	Plan	Article	Quantity
1	YP07077	2745465	1
2	YP07064	2744965	1

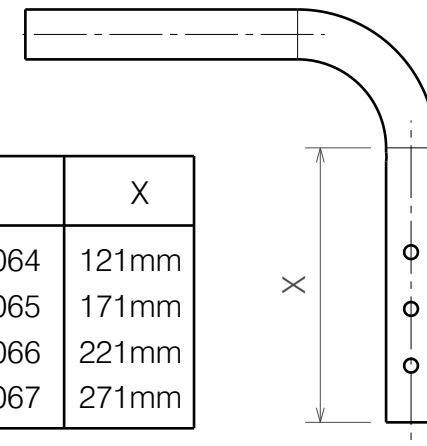
Material (35-40)			
No.	Plan	Article	Quantity
1	YP07081	2745565	1
2	YP07064	2744965	1

Material (40-45)			
No.	Plan	Article	Quantity
1	YP07081	2745565	1
2	YP07065	2745065	1

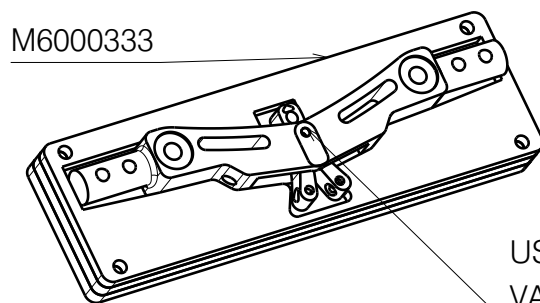
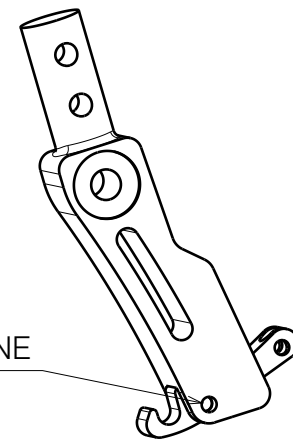
Material (45-50)			
No.	Plan	Article	Quantity
1	YP07081	2745565	1
2	YP07066	2745165	1

Material (50-55)			
No.	Plan	Article	Quantity
1	YP07081	2745565	1
2	YP07067	2745265	1

Material			
No.	Plan	Article	Quantity
3	XP01632	GP09399	1
4	XP01631	GP09299	1
5	XP01861	GP12900	1
6	XP01633	GP09500	1
7	XP01862	GP13200	1
8	XP03093	GP00286	1
9	XP02407	GP17800	1
10	XP02061	GP14700	1
11	M4x12	1907582	2
12	M5x12 DIN7991	2994076	2
13	M6	2994059	3
14	WASHERM6	2994068	1
15	M6x30DIN7991	2994116	2
16	M6x30	1992721	1
17	Washer M8	1001556	2
18	Y004353	F000411	1
* 19	Hand grip GR-KS	2993809	1
	GR-ERGO-S(120/80)	2993810	1
** 20	---	1000899	1
** 21	---	2993049	1
** 22	---	2991192	1
** 23	---	T001063	0,05m
24	M6X6 DIN916/45H	1998138	2



Plan	X
YP07064	121mm
YP07065	171mm
YP07066	221mm
YP07067	271mm



M6000333

USE RADIAL RIVETING MASHINE, SET THE VALUE OF MOTION 19.5

USE RADIAL RIVETING MASHINE

* Optional (depending on the length)/Opcjonalnie (w zalezności od dlugosci)

**Used to connect left and right side, use one per wheelchair

EP00376 / H

BACKREST FOLDED WITH HEIGHT ADJUSTMENT AND HANDLE Page 2/2				Plan No.
				EP00376/ H
Scale: 3:10	Drafted	Verified	Confirmed	
Date	14/02/2019	07/04/2023	07/04/2023	
Initials	AS	PM	AS	